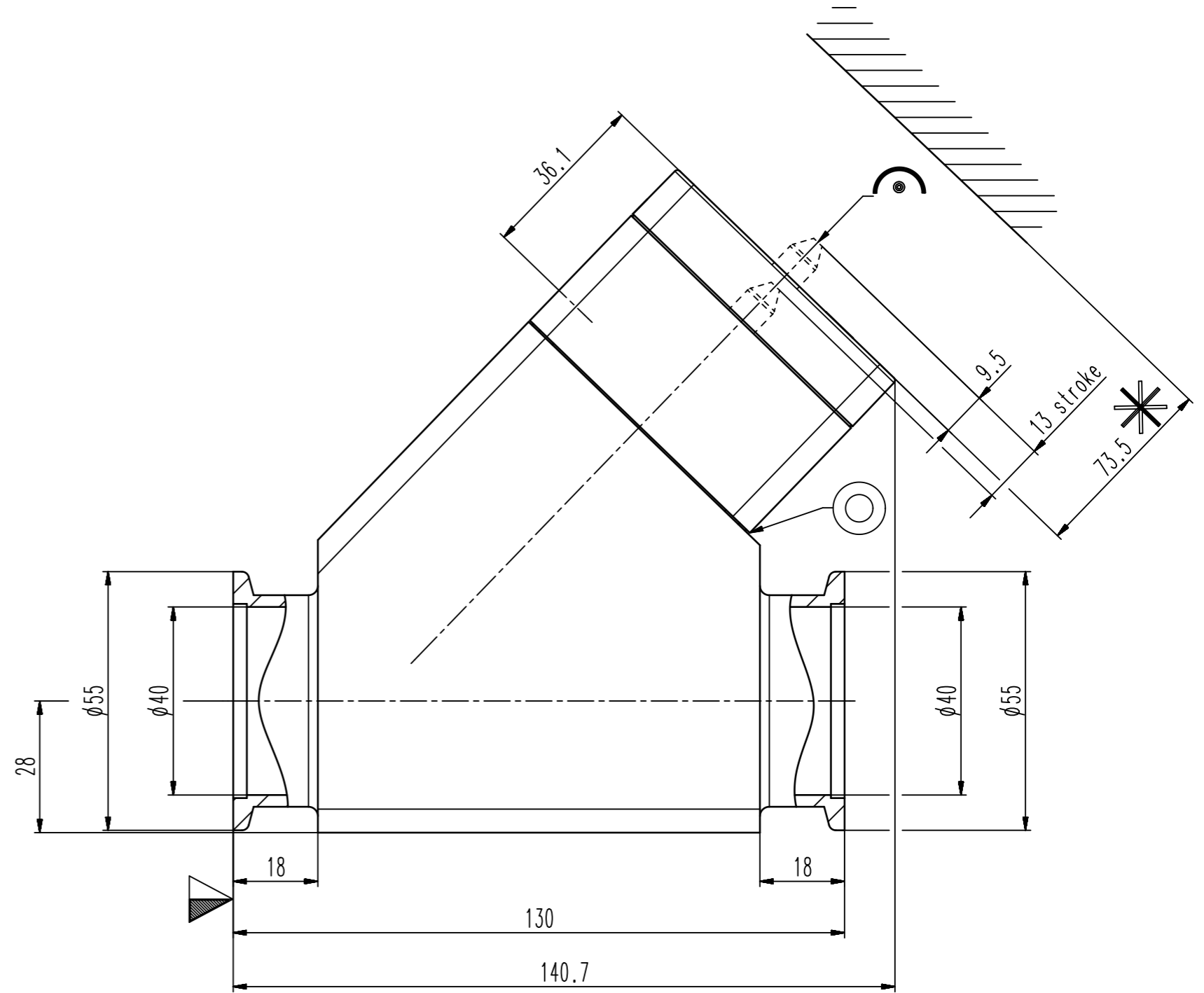
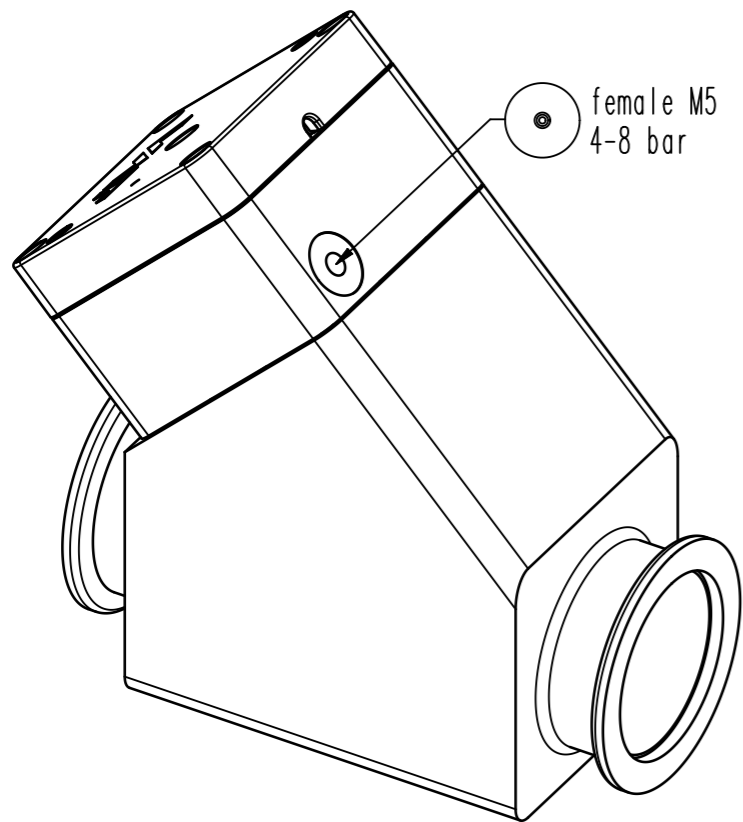
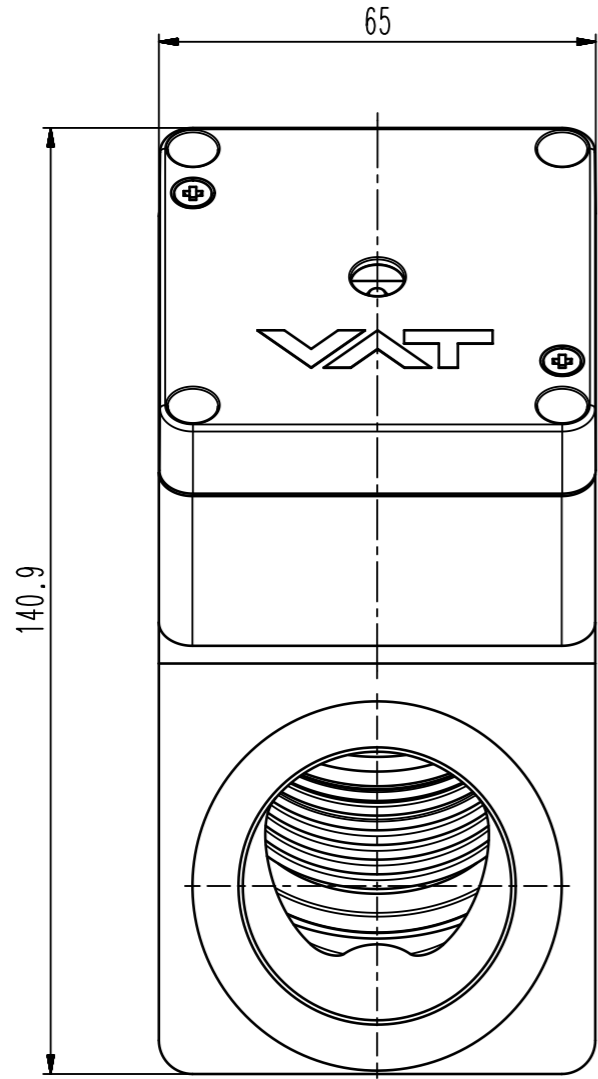


This drawing is the property of VAT.

Revision

Customer number



- ▼ Seat side
- ⊕ Comp. air connection
- ⊖ Electrical connection
- ⊙ Leak detection port
- ⊚ Mech. pos. indication
- ⊛ Position indicator
- ⊜ Required for dismantling
- ⊝ Emergency actuation
- ⊞ For attachment
- ⊟ Bake-out area
- ⊠ Differential pumping port

HV inline valve



VAT Vakuumentile AG
 CH-9469 Haag, Switzerland
 Tel ++41 81 7716161 Fax ++41 81 7714830

Date: 10.11.04
 Name: BCH

Series	265	Ordering No.	26532-KA11-0001
Projection E	⊚	DN	40
	⊙	Flange	ISO-KF
Dimensional Drawing	256299	Rev.	D