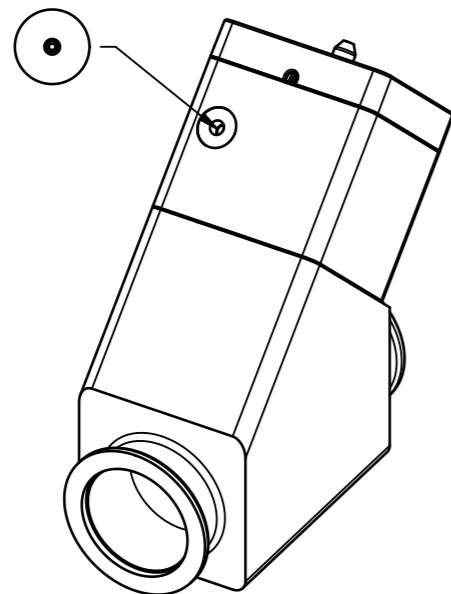


female M5
(10-32 UNF suitable)
4-8 bar



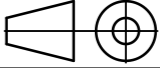
- ▼ Seat side
- ⊙ Comp. air connection
- ⊙ Electrical connection
- ⊙ Leak detection port
- ⊙ Mech. pos. indication
- ⊙ Position indicator
- ⊙ Required for dismantling
- ⊙ Emergency actuation
- ⊙ For attachment
- ⊙ Bake-out area
- ⊙ Differential pumping port

HV inline valve



VAT Vakuumentile AG
 CH-9469 Haag, Switzerland
 Tel ++41 81 7716161 Fax ++41 81 7714830

Rev.-Date: 28.06.13
 Visa: WARO

Series	265	Ordering No.	26532-KA12-0001
Projection E	DN	Flange	
	40	ISO-KF	
Dimensional Drawing	700088	Rev.	