



VAT Vakuumventile AG
CH-9469 Haag, Schweiz

Product data sheet

HV inline valve, Series 265, DN 40 (ID 1 1/2 ")
Ordering No. 26532-KE41-0001

Description

Flanges	ISO-KF40
Actuator	Pneumatic, single acting with closing spring - with position indicator "open" and "closed" - with solenoid
Feedthrough	Bellows

Technical data

Leak rate	Body Valve seat	$< 1 \cdot 10^{-9}$ mbar ls ⁻¹ $< 1 \cdot 10^{-9}$ mbar ls ⁻¹
Molecular flow conductance		45 ls ⁻¹
Pressure range		$1 \cdot 10^{-8}$ mbar to 5 bar (abs)
Differential pressure on the plate	- in opening direction - in closing direction	≤ 2 bar ≤ 5 bar
Differential pressure at opening		≤ 1 bar in either direction
Closing time		≤ 0.55 sec.
Admissible temperature	- Body - Actuator - Position indicator - Solenoid	0 °C – 150 °C 0 °C – 120 °C 0 °C – 80 °C 0 °C – 80 °C
Cycles until first service		3 million (T _{max} 80°C, differential pressure max. 1 bar)
Material	- Body - Actuator - Plate - Bellows - Bonnet O-ring - Plate O-ring - Actuator O-rings	Stainless Steel (AISI 304) Aluminum AISI 316L (1.4435 ESU) AISI 316L (1.4404, 1.4435), AISI 316 Ti (1.4571) FKM (Viton) FKM (Viton) FKM (Viton)
Weight		1.2 kg / 2.645 lbs
Mounting position		any
Volume of air cylinder		0.035 l / 0.0012 ft ³
Compressed air pressure for pneumatic		4 – 8 bar / 60 – 115 psi
Compressed air connection		M5 female (10-32 UNF suitable)

Created by: R. Walser	Release date: 2012-09-14	Page 1 of 2
Modified by: R. Walser	Release date: 2012-11-14	297517EB



VAT Vakuumventile AG
CH-9469 Haag, Schweiz

Product data sheet

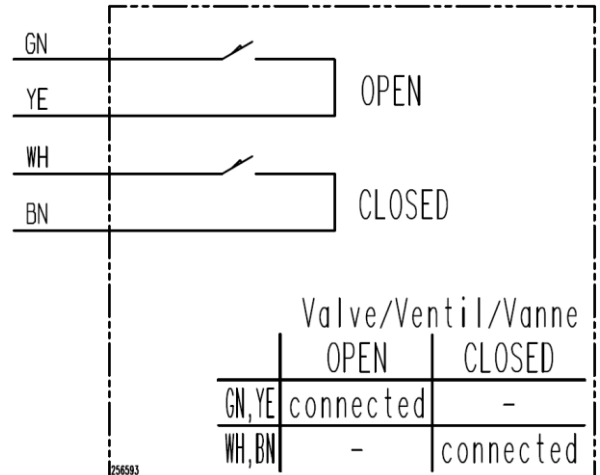
HV inline valve, Series 265, DN 40 (ID 1 1/2")

Ordering No. 26532-KE41-0001

Electrical connection

Position indicator

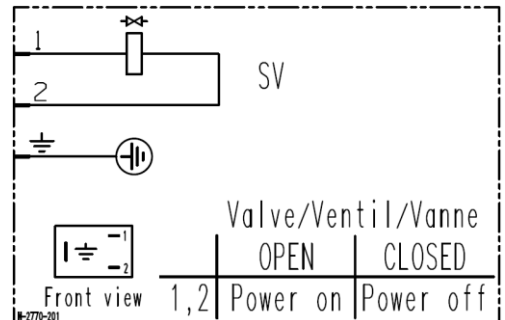
Type	Micro switch
Voltage	≤ 50 V AC / DC
Current	5...100 mA
Short circuit protected	No
Connection	cable, 4 wire
Cable length	500 mm
Wire cross section	0,25 mm ²



Wiring diagram

Solenoid valve

Type	3/2 way	
Voltage / Power *	24 V DC	2.5 W
	24 V AC, 50/60 Hz	3.6 W
	110-115 V AC, 50/60 Hz	4.8 W
	220-230 V AC, 50/60 Hz	4.8 W
	* other voltages on request	
Connection type	Rectangle plug, Type B (DIN standard)	
Cable diameter	6 - 8 mm	



Wiring diagram

Created by: R. Walser	Release date: 2012-09-14	Page 2 of 2
Modified by: R. Walser	Release date: 2012-11-14	297517EB