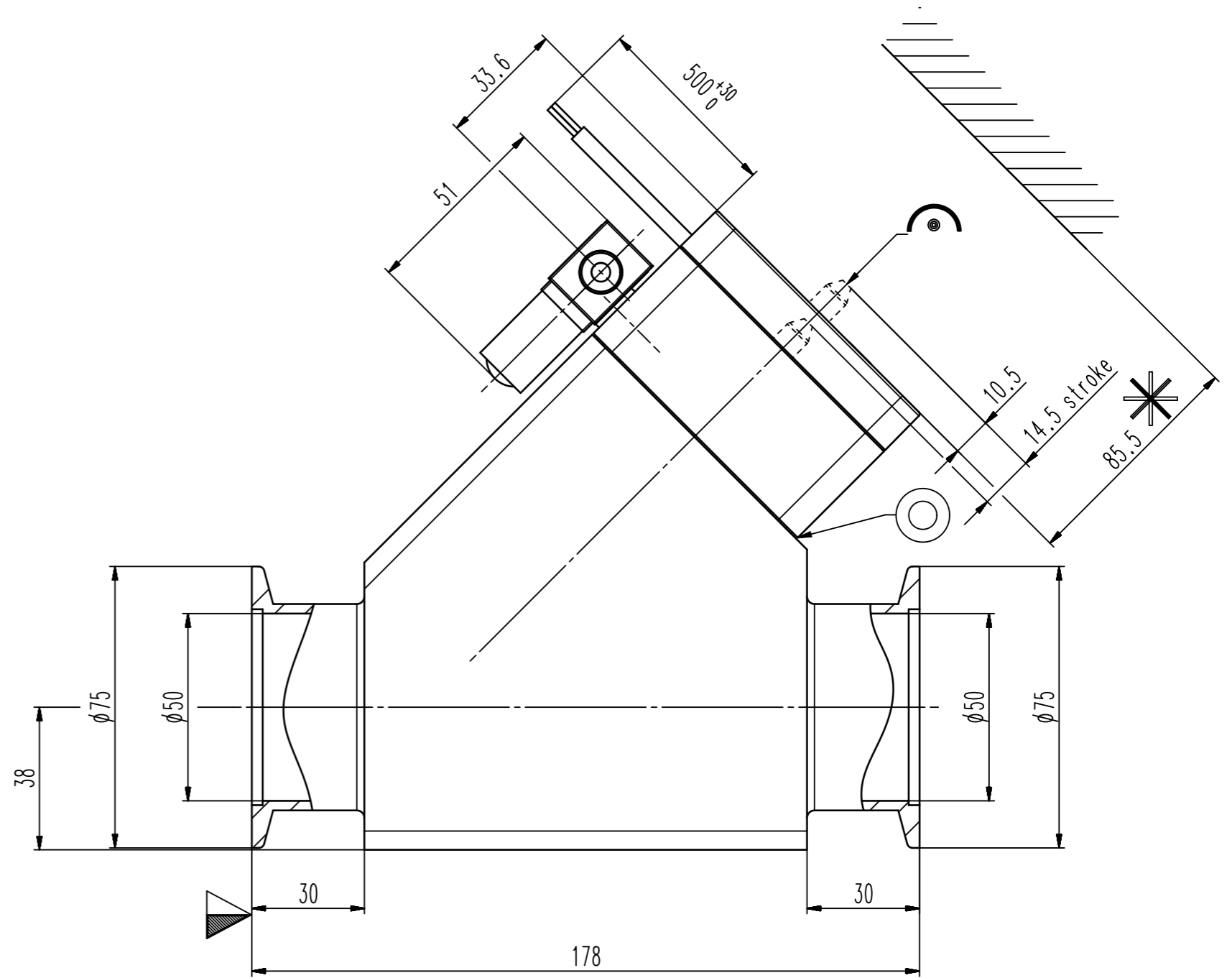
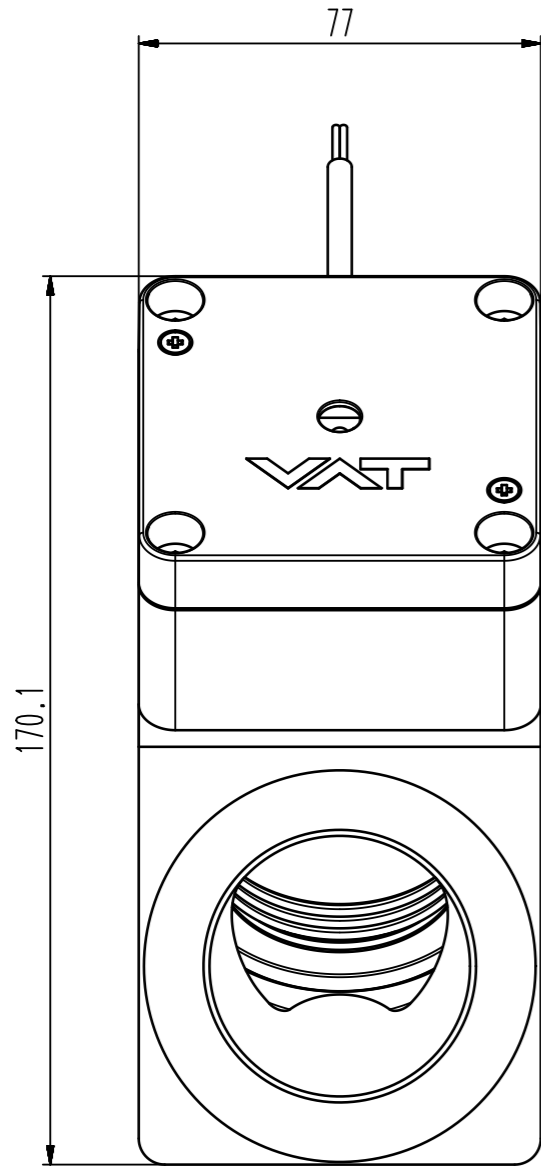


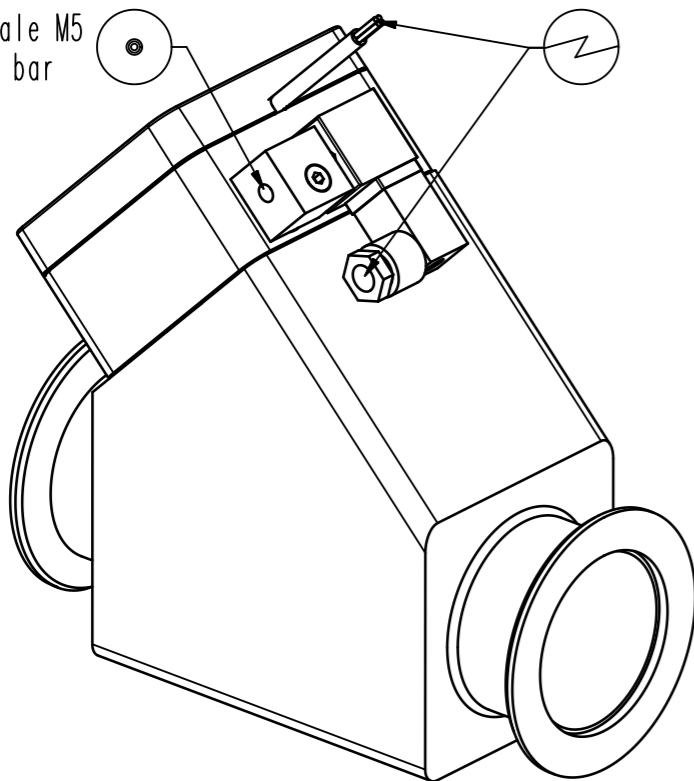
This drawing is the property of VAT.

Revision

Customer number



female M5  
4-8 bar



- ▼ Seat side
- ⊙ Comp. air connection
- ⊕ Electrical connection
- ⊙ Leak detection port
- ⊙ Mech. pos. indication
- ⊙ Position indicator
- ⊙ Required for dismantling
- ⊙ Emergency actuation
- ⊙ For attachment
- ⊙ Bake-out area
- ⊙ Differential pumping port

HV inline valve



VAT Vakuumentile AG  
CH-9469 Haag, Switzerland  
Tel ++41 81 7716161 Fax ++41 81 7714830

Date: 11.02.05  
Name: BCH

Series	265	Ordering No.	26534-KA41-0001
Projection E	DN	Flange	
	50	ISO-KF	
Dimensional Drawing	258909	Rev.	B