



VAT Vakuumventile AG
CH-9469 Haag, Schweiz

Product data sheet

HV inline valve
Series 265, DN 50 (ID 2")
Ordering No. 26534-KA41-0001

Description

| | |
|-------------|--|
| Flange | ISO-KF 50 |
| Actuator | Pneumatic, single acting with closing spring – with solenoid valve – with position indicator “open” and “closed” |
| Feedthrough | Bellows |

Technical data

| | | |
|--|--|--|
| Leak rate | – Valve body – Valve seat | $< 1 \cdot 10^{-9}$ mbar ls ⁻¹ $< 1 \cdot 10^{-9}$ mbar ls ⁻¹ |
| Pressure range | | $1 \cdot 10^{-8}$ mbar to 5 bar (abs) |
| Differential pressure on the plate | – In opening direction – In closing direction | ≤ 2 bar ≤ 5 bar |
| Differential pressure at opening | | ≤ 1 bar |
| Conductance (molecular flow) | | 80 ls ⁻¹ |
| Closing time | | ≤ 0.65 sec. |
| Cycles until first service (Tmax 80 °C, under clean conditions) | | 3 million |
| Temperature (Maximum values: depending on operating conditions and sealing materials) | – Valve body – Actuator – Solenoid valve – Position indicator | ≤ 150 °C ≤ 120 °C ≤ 80 °C ≤ 80 °C |
| Material | – Valve body – Actuator – Plate – Bellows | Aluminum (EN AW-6082) Aluminum AISI 316L (1.4404) AISI 316L (1.4404, 1.4435) AISI 316 Ti (1.4571) |
| Seal | – Bonnet O-ring – Plate O-ring – Actuator O-ring | FKM (Viton®) FKM (Viton®) FKM (Viton®) |
| Weight | | 2.60 kg / 5.73 lbs |
| Mounting position | | any |
| Volume of pneumatic actuator | | 0.047 l / 0.0017 ft ³ |
| Compressed air min. – max. overpressure | | 4 – 8 bar / 58 – 116 psi |
| Compressed air connection | | M5 female (10-32 UNF suitable) |

| | | |
|------------------|--------------------------|-----------------|
| Created by: WARO | Release date: 15.05.2014 | 1/2 |
| Modified by: | Release date: | 750366EA |



VAT Vakuumventile AG
CH-9469 Haag, Schweiz

Product data sheet

HV inline valve
Series 265, DN 50 (ID 2")
Ordering No. 26534-KA41-0001

Behavior in case of compressed air pressure drop

- Valve closed
- Valve opened
- During actuation

valve remains closed and leaktight
valve closes leaktight
valve closes leaktight

Behavior in case of power failure

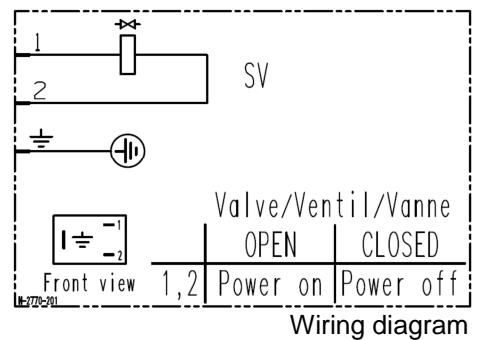
- Valve closed
- Valve opened
- During actuation

valve remains closed and leaktight
valve closes leaktight
valve closes leaktight

Electrical connections

Solenoid valve

Type 3/2-way
Voltage See solenoid
Power See solenoid
Connector Rectangle plug, Type B (DIN standard)
Cable Ø6 – 8 mm



Position indicator

Type Micro switch
Voltage ≤ 50 V AC / DC
Current 5 – 100 mA
Short circuit protected No
Connection Cable, 4 wires
Cable length 500 mm
Cable cross section 0.25 mm²

