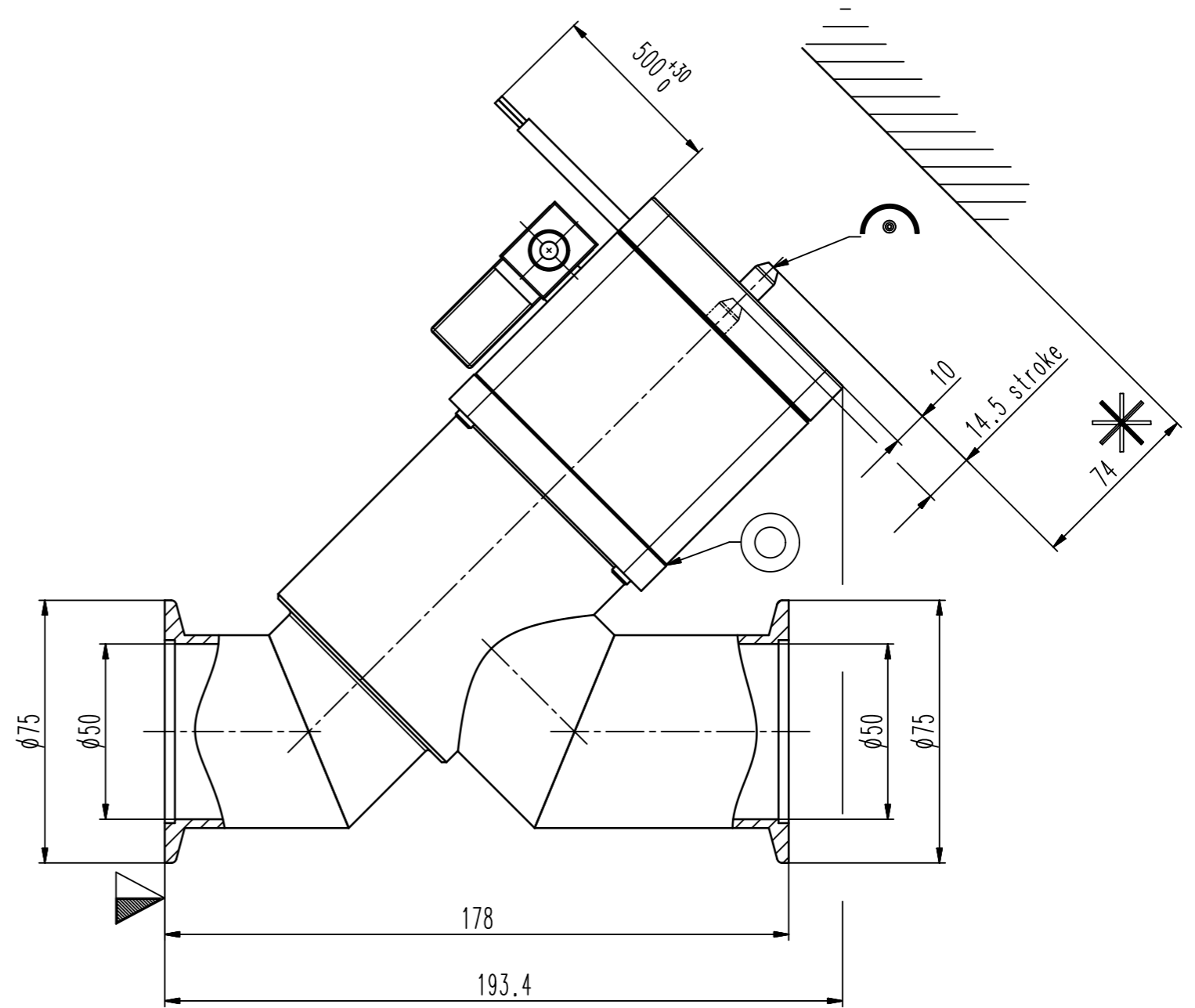
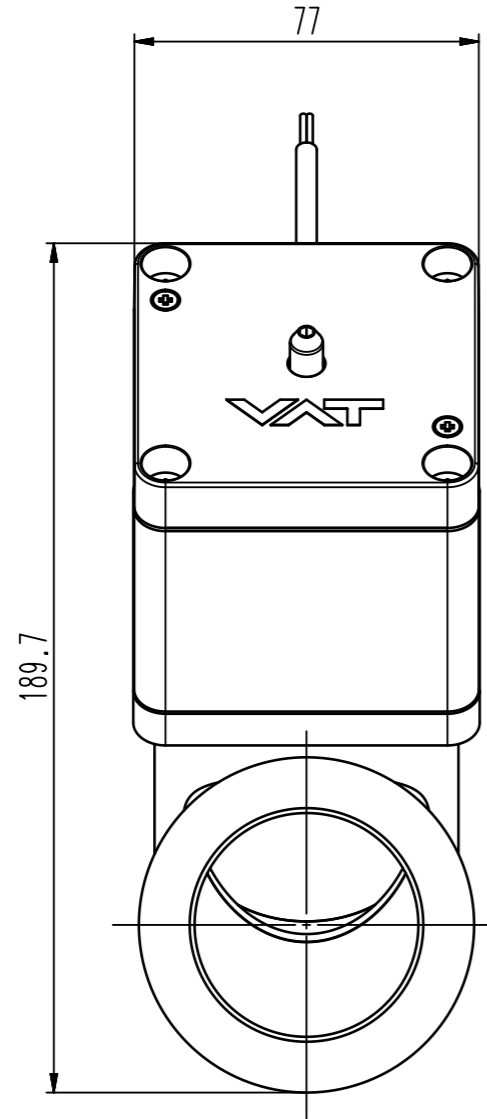


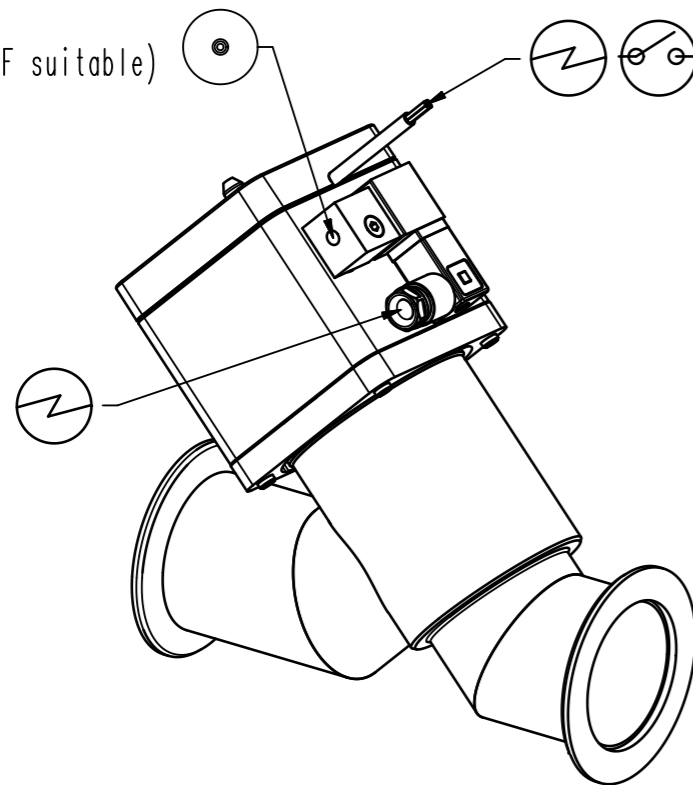
This drawing is the property of VAT.

Revision

Customer number



female M5
(10-32 UNF suitable)
4-8 bar



- ▼ Seat side
- ⊙ Comp. air connection
- ⊙ Electrical connection
- ⊙ Leak detection port
- ⊙ Mech. pos. indication
- ⊙ Position indicator
- ⊙ Required for dismantling
- ⊙ Emergency actuation
- ⊙ For attachment
- ⊙ Bake-out area
- ⊙ Differential pumping port

HV inline valve



VAT Vakuumventile AG

CH-9469 Haag, Switzerland
Tel ++41 81 7716161 Fax ++41 81 7714830

Rev.-Date: 22.05.12

Visa: WARO

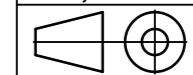
Series

265

Ordering No.

26534-KE42-0001

Projection E



DN

50

Flange

ISO-KF

Dimensional Drawing

540774

Rev.

VAT/DA