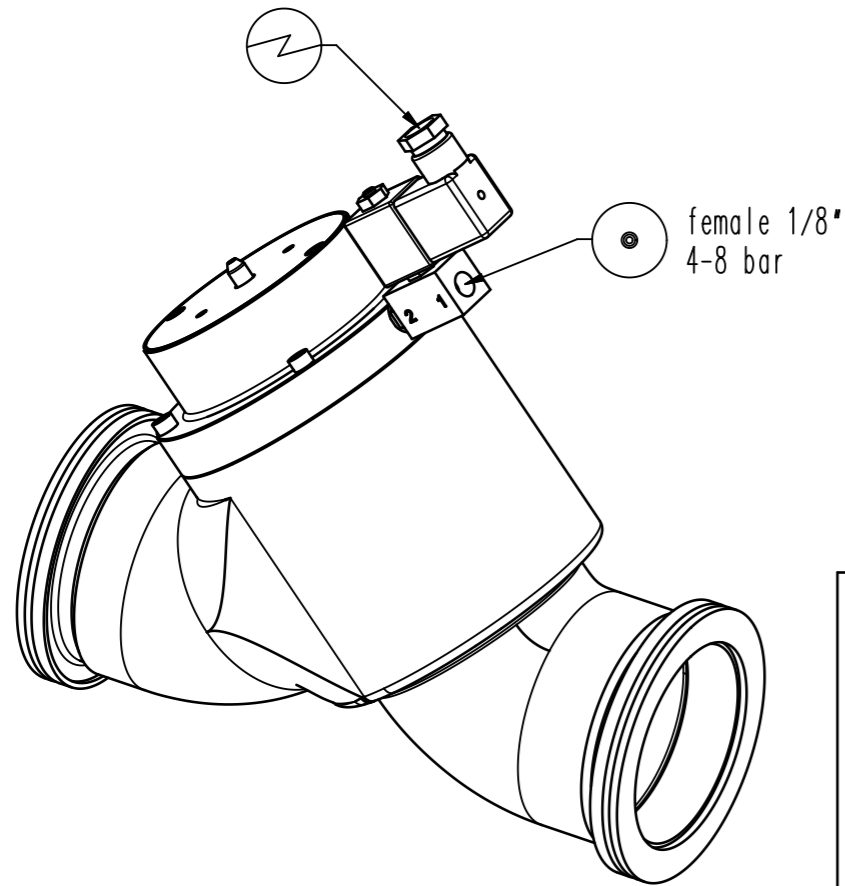
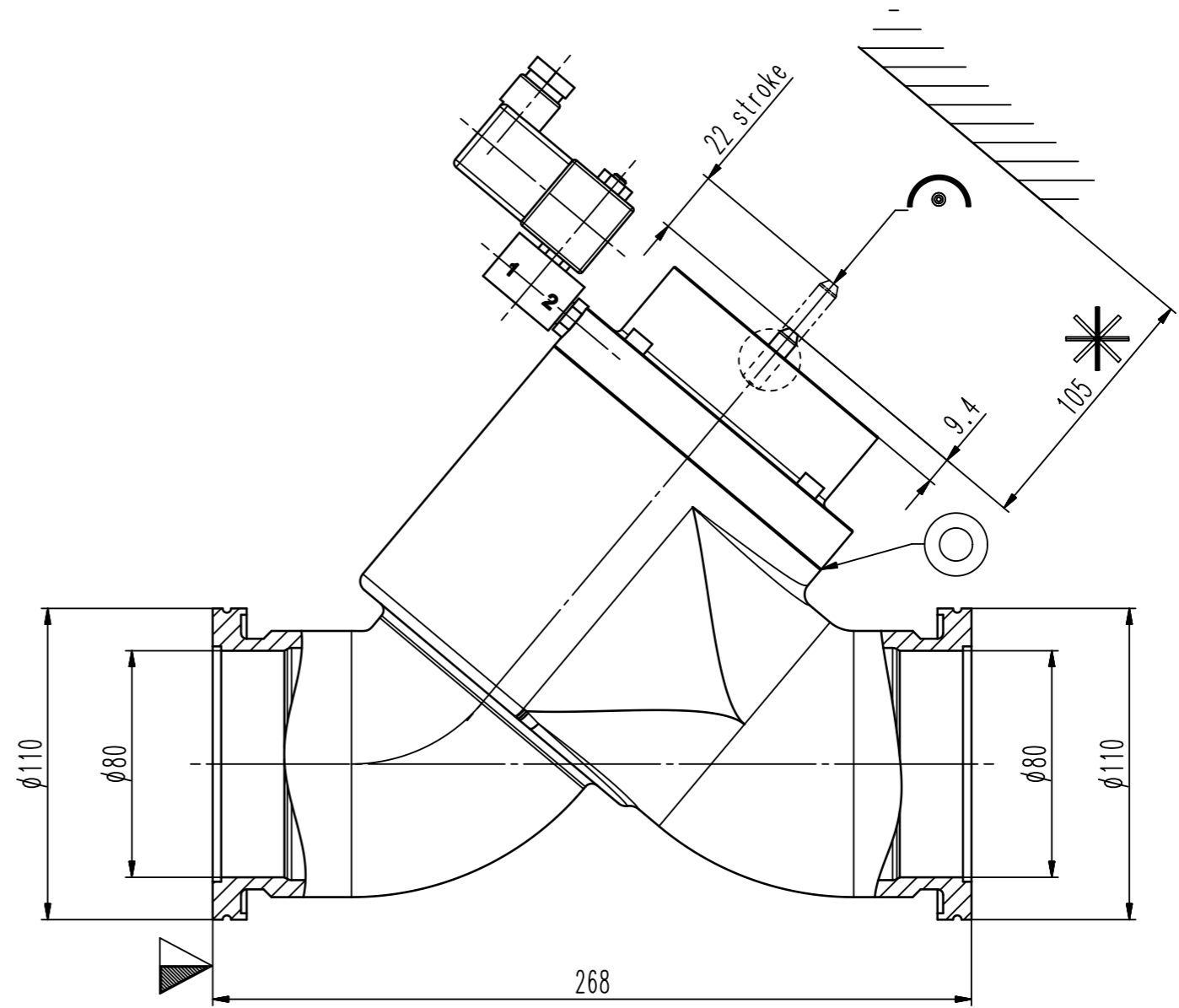
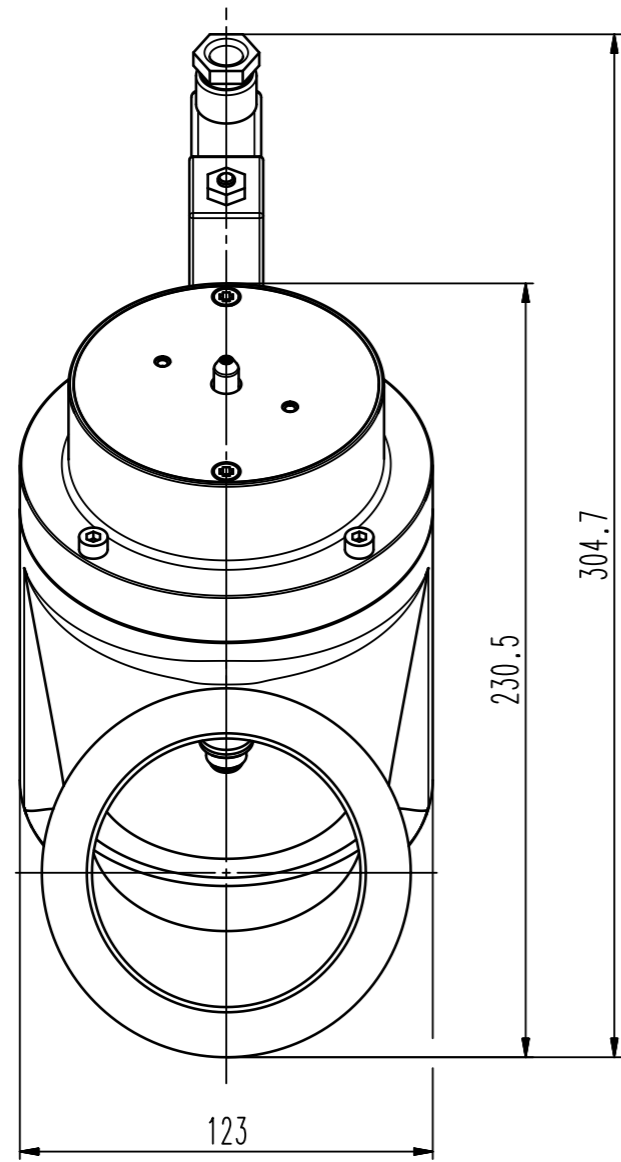


This drawing is the property of VAT.

Revision

Customer number



- ▼ Seat side
- ⊙ Comp. air connection
- ⊙ Electrical connection
- ⊙ Leak detection port
- ⊙ Mech. pos. indication
- ⊙ Position indicator
- ⊙ Required for dismantling
- ⊙ Emergency actuation
- ⊙ For attachment
- ⊙ Bake-out area
- ⊙ Differential pumping port

HV inline valve



VAT Vakuumentile AG  
CH-9469 Haag, Switzerland  
Tel ++41 81 7716161 Fax ++41 81 7714830

Date: 17.10.07  
Name: BCH

|                     |        |              |                 |
|---------------------|--------|--------------|-----------------|
| Series              | 265    | Ordering No. | 26538-QA31-0001 |
| Projection E        | DN     | Flange       |                 |
|                     | 80     | ISO-K        |                 |
| Dimensional Drawing | 354187 | Rev.         | A               |