



VAT Vakuumventile AG  
CH-9469 Haag, Schweiz

## Product data sheet

**UHV angle valve**  
**Series 284, DN 40 (ID 1 1/2")**  
**Ordering No. 28432-GE31-0001**

### Description

Flange	CF-R 40
Actuator	Pneumatic, single acting with closing spring – with solenoid valve – without position indicator
Feedthrough	Bellows

### Technical data

Leak rate	– Valve body – Valve seat	$\leq 5 \cdot 10^{-10}$ mbar ls <sup>-1</sup> $< 1 \cdot 10^{-9}$ mbar ls <sup>-1</sup>
Pressure range		$1 \cdot 10^{-10}$ mbar to 5 bar (abs)
Differential pressure on the plate	– In opening direction – In closing direction	$\leq 2$ bar $\leq 5$ bar
Differential pressure at opening		$\leq 1$ bar
Conductance (molecular flow)		45 ls <sup>-1</sup>
Closing time		$\leq 0.55$ sec.
Cycles until first service (T <sub>max</sub> 80 °C, under clean conditions)		3 million
Temperature (Maximum values: depending on operating conditions and sealing materials)	– Valve body – Actuator – Solenoid	$\leq 150$ °C $\leq 120$ °C $\leq 80$ °C
Material	– Valve body – Actuator – Plate – Bellows	AISI 304 (1.4301) Aluminum AISI 316L (1.4404) AISI 316L (1.4404, 1.4435) AISI 316 Ti (1.4571)
Seal	– Bonnet O-ring – Plate O-ring – Actuator O-ring	Metal FKM (Viton®) FKM (Viton®)
Weight		1.68 kg / 3.70lbs
Mounting position		any
Volume of pneumatic actuator		0.035 l / 0.0012 ft <sup>3</sup>
Compressed air min. – max. overpressure		4 – 8 bar / 58 – 116 psi
Compressed air connection		M5 female (10-32 UNF suitable)

Created by: WARO	Release date: 26.09.2014	1/2
Modified by:	Release date:	<b>740771EB</b>



VAT Vakuumventile AG  
CH-9469 Haag, Schweiz

## Product data sheet

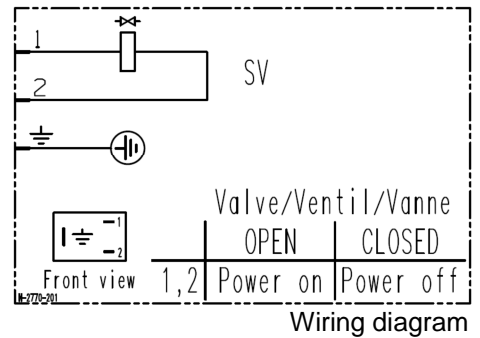
**UHV angle valve**  
**Series 284, DN 40 (ID 1 1/2")**  
**Ordering No. 28432-GE31-0001**

Behavior in case of compressed air pressure drop	<ul style="list-style-type: none"> <li>- Valve closed</li> <li>- Valve opened</li> <li>- During actuation</li> </ul>	<ul style="list-style-type: none"> <li>valve remains closed and leaktight</li> <li>valve closes leaktight</li> <li>valve closes leaktight</li> </ul>
Behavior in case of power failure	<ul style="list-style-type: none"> <li>- Valve closed</li> <li>- Valve opened</li> <li>- During actuation</li> </ul>	<ul style="list-style-type: none"> <li>valve remains closed and leaktight</li> <li>valve closes leaktight</li> <li>valve closes leaktight</li> </ul>

### Electrical connections

#### Solenoid valve

Type	3/2-way
Voltage	See solenoid
Power	See solenoid
Connector	Rectangle plug, Type B (DIN standard)
Cable	Ø6 – 8 mm



Created by: WARO	Release date: 26.09.2014	2/2
Modified by:	Release date:	740771EB