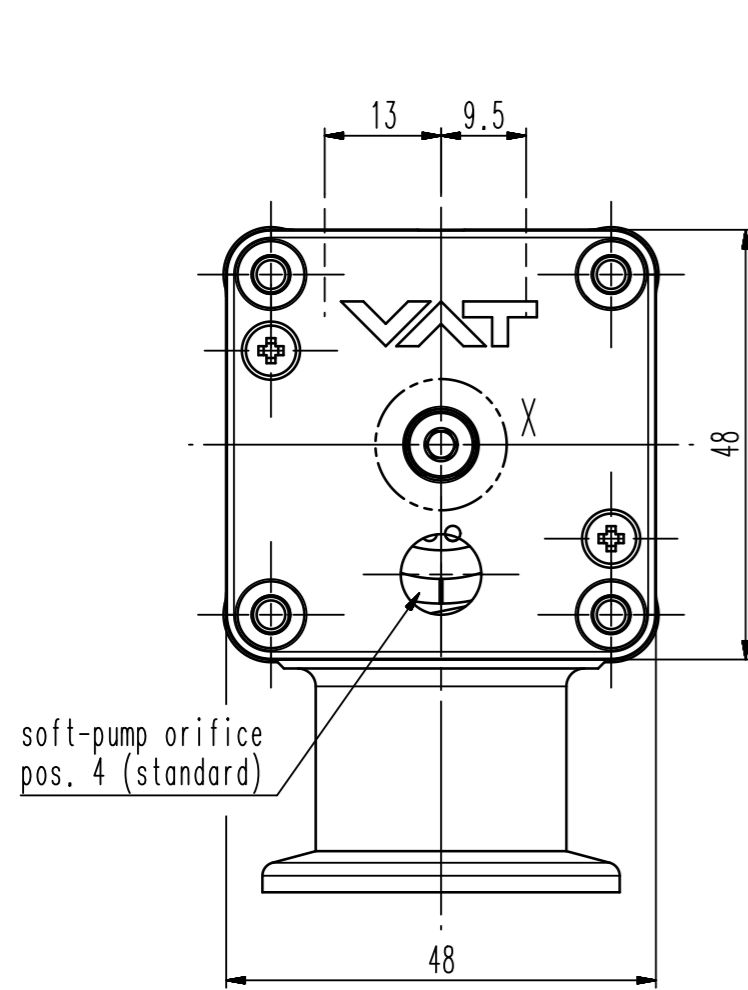
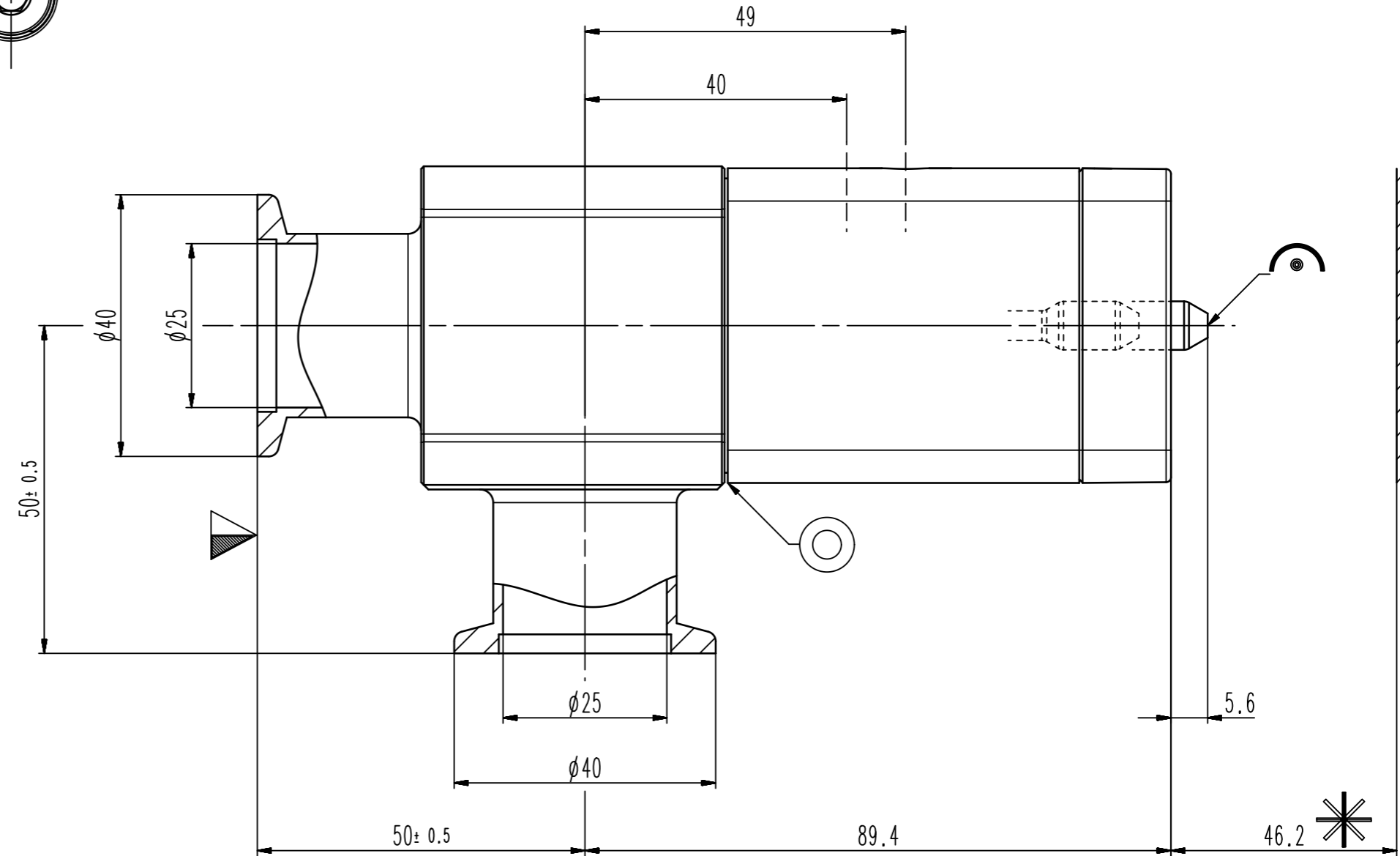
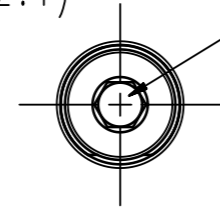


Detail X (2:1)

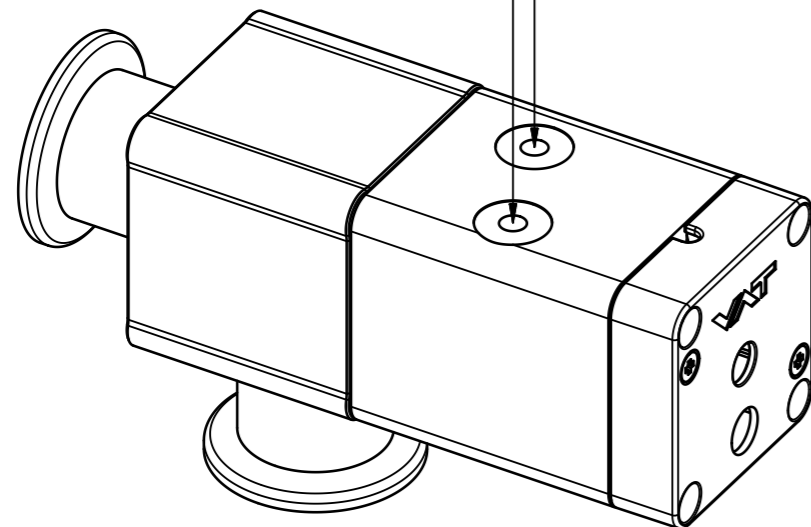
adjusting screw for softpump position with allen wrench 3mm



soft-pump orifice pos. 4 (standard)



MAIN M5 female 4.5-7 bar  
SOFT M5 female 4.5-7 bar



- ▼ Seat side
- Comp. air connection
- Electrical connection
- Leak detection port
- Mech. pos. indication
- Position indicator
- \* Required for dismantling
- Emergency actuation
- For attachment
- Bake-out area
- Differential pumping port

Angle valve with soft-pump function

Series	290	Ordering No.	29028-KA11-0001
Projection E	DN	Flange	
	25	ISO-KF	



VAT Vakuumentile AG  
CH-9469 Haag, Switzerland  
Tel ++41 81 7716161 Fax ++41 81 7714830

Date: 29.08.05  
Name: ZVP

Dimensional Drawing	264164	Rev.	D
---------------------	--------	------	---