

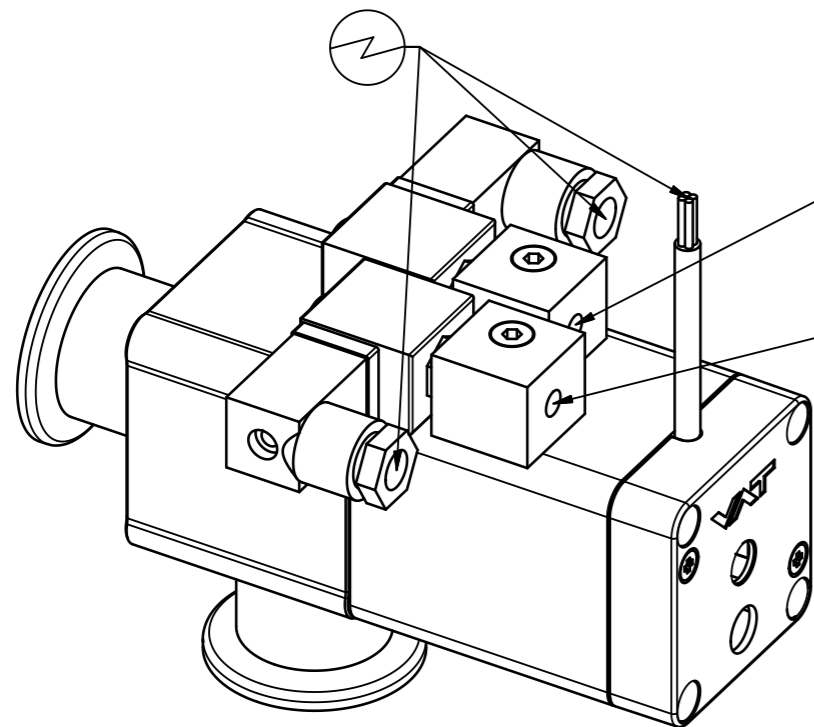
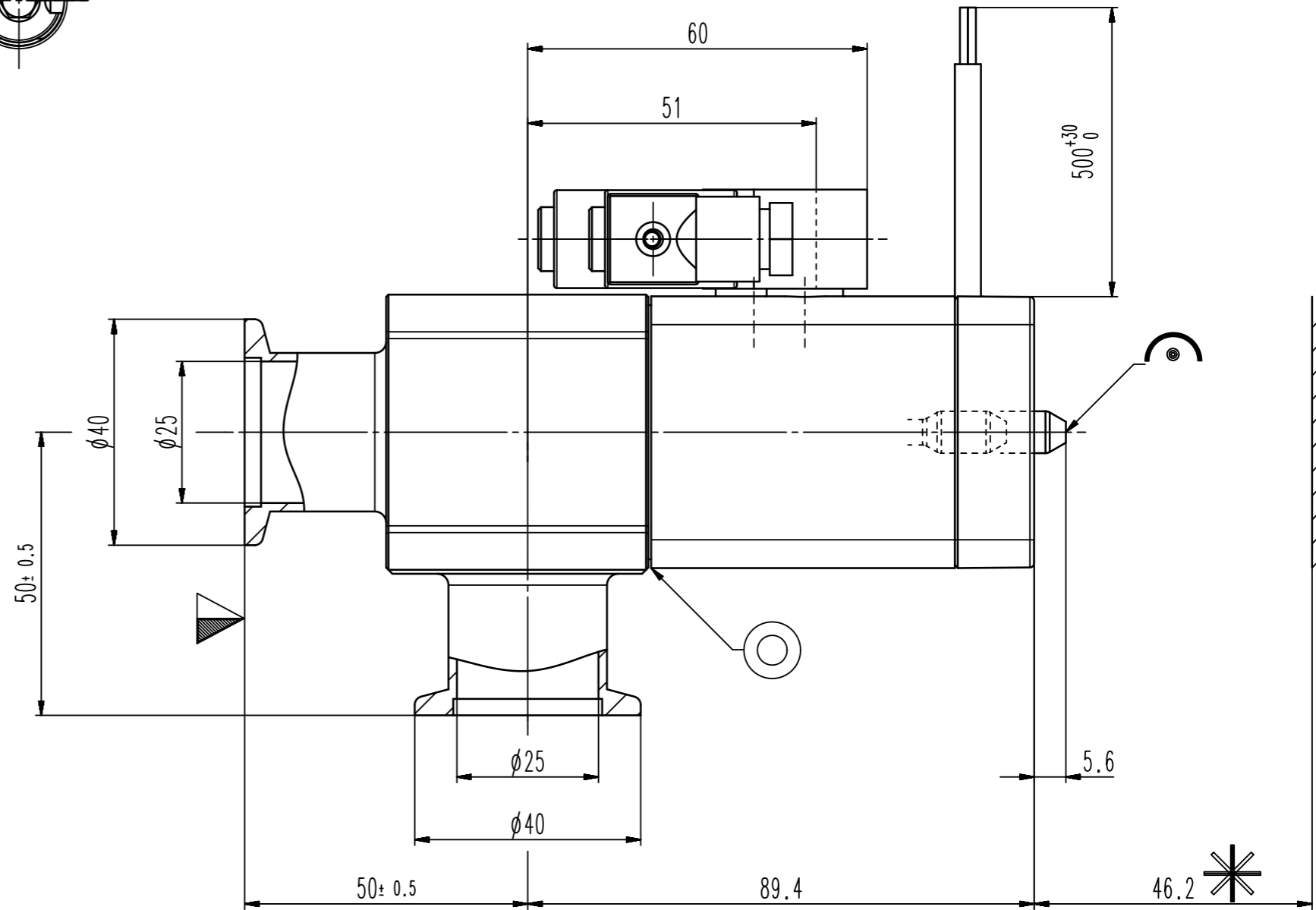
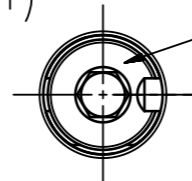
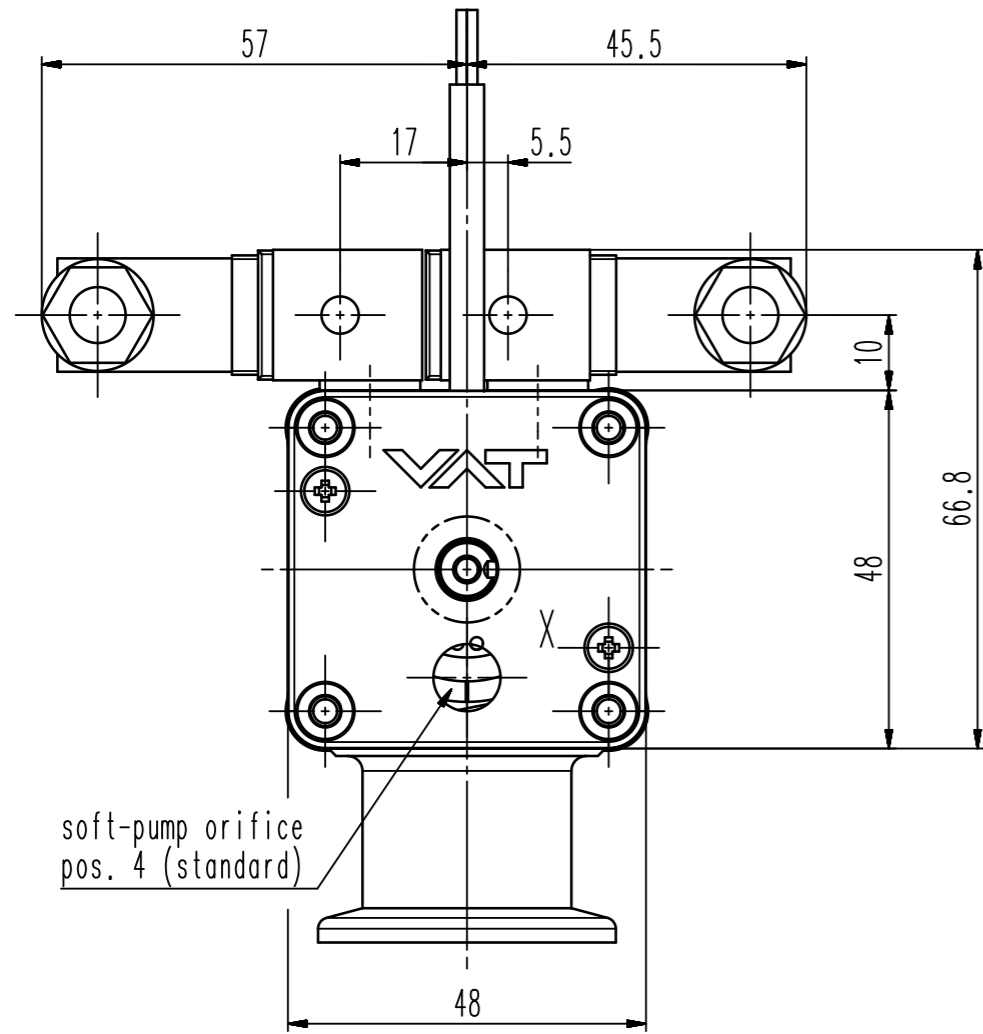
This drawing is the property of VAT.

Revision

Customer number

Detail X (2:1)

adjusting screw for softpump position with allen wrench 3mm



- SOFT
M5 female
4.5-7 bar
- MAIN
M5 female
4.5-7 bar

- ▼ Seat side
- ⊙ Comp. air connection
- ⊙ Electrical connection
- ⊙ Leak detection port
- ⊙ Mech. pos. indication
- ⊙ Position indicator
- ⊙ Required for dismantling
- ⊙ Emergency actuation
- ⊙ For attachment
- ⊙ Bake-out area
- ⊙ Differential pumping port

Angle valve with soft-pump function



VAT Vakuumentile AG
CH-9469 Haag, Switzerland
Tel ++41 81 7716161 Fax ++41 81 7714830

Date: 17.05.05
Name: ZVP

Series	290	Ordering No.	29028-KA41-0001
Projection E	DN	Flange	
	25	ISO-KF	
Dimensional Drawing	261397	Rev.	C