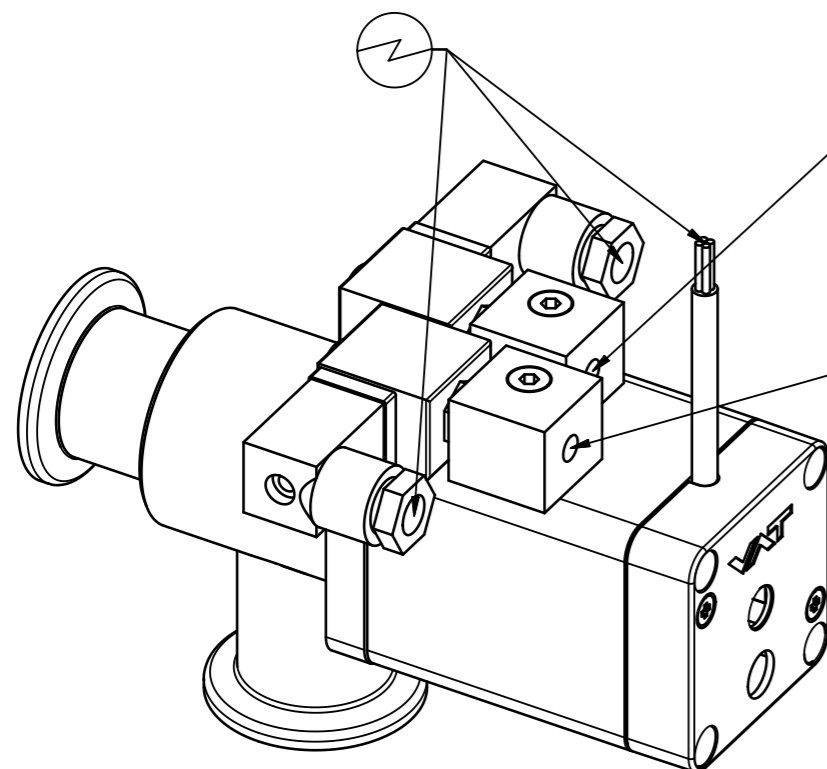
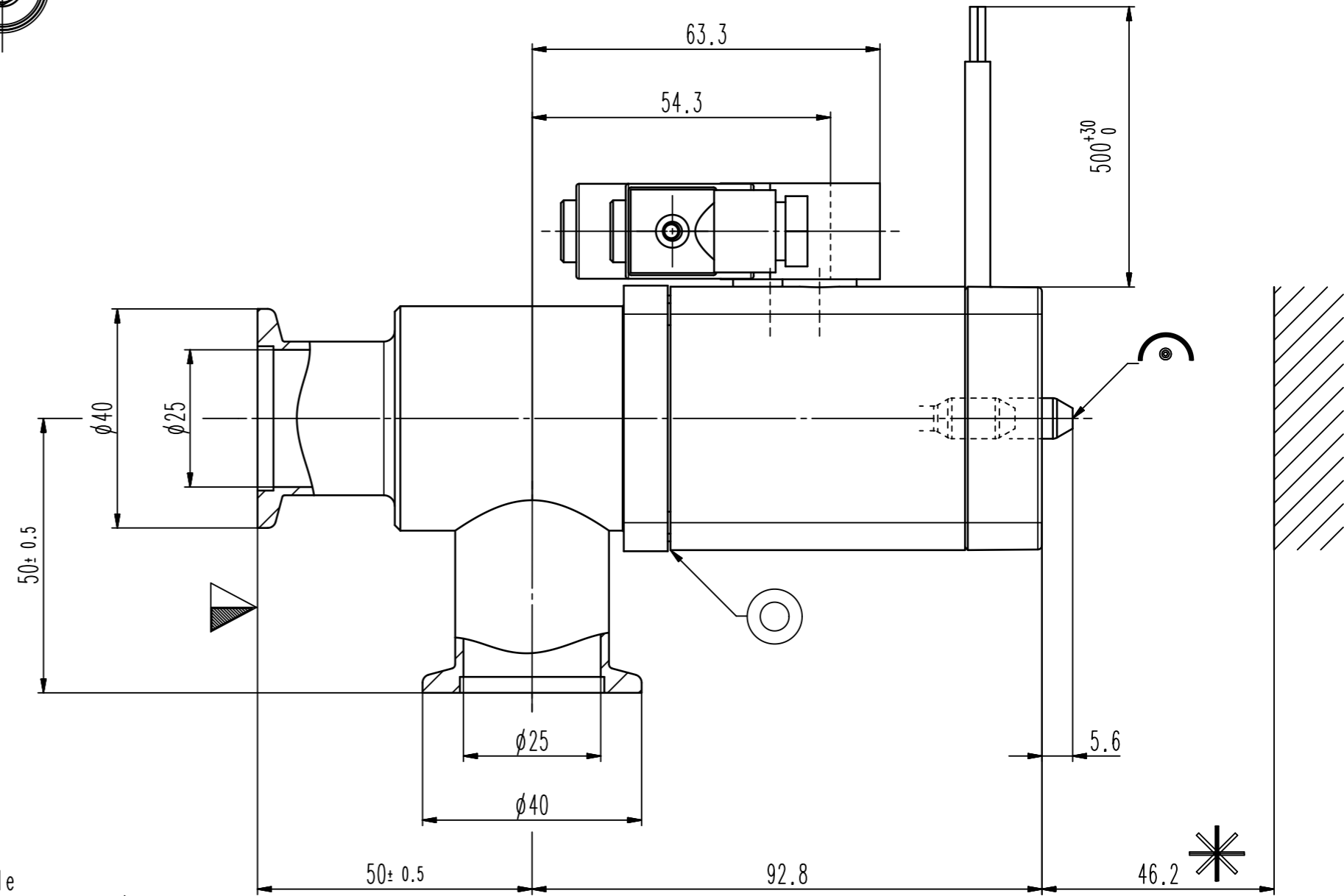
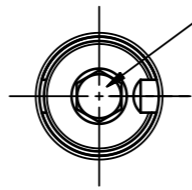
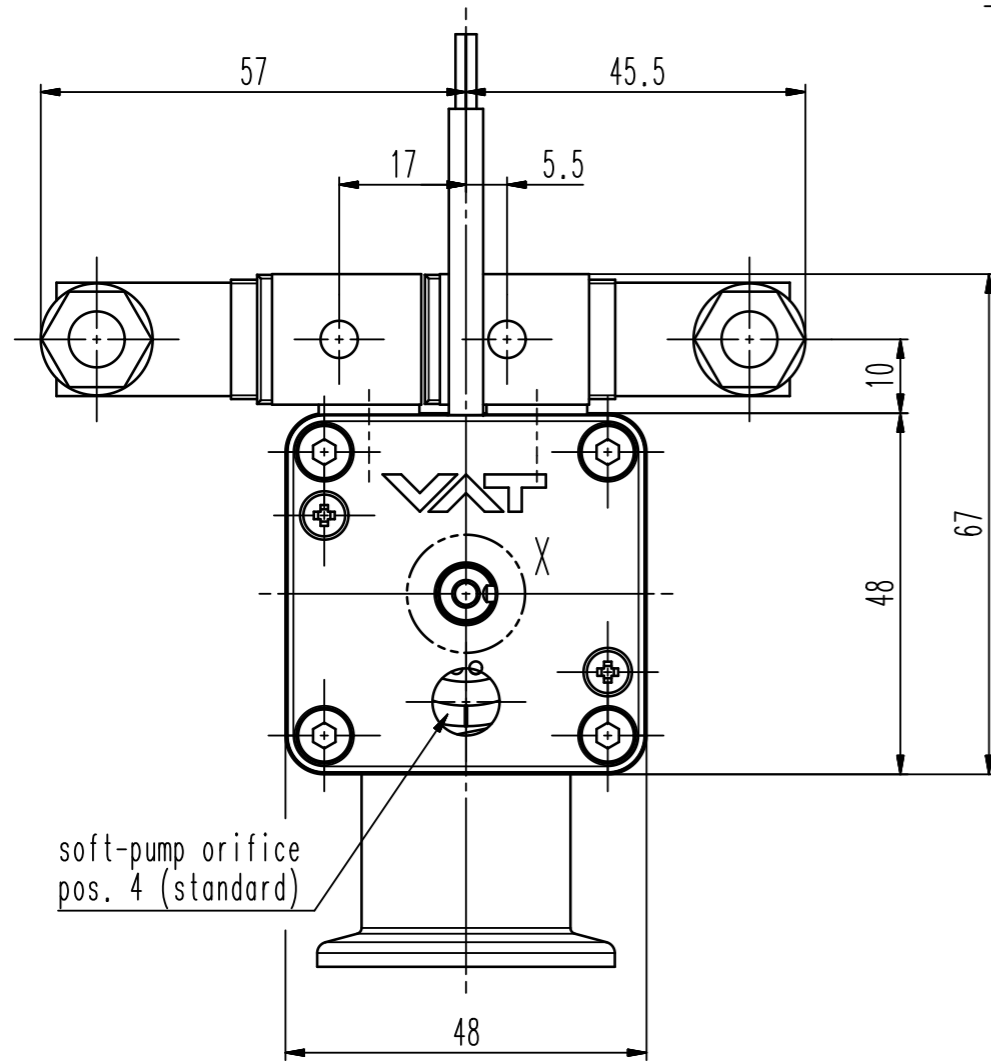


Detail X (2:1)

adjusting screw for softpump  
position with allen wrench 3mm



SOFT  
M5 female  
(10/32 UNF suitable)  
4.5-7 bar

MAIN  
M5 female  
(10/32 UNF suitable)  
4.5-7 bar

- ▼ Seat side
- ⊙ Comp. air connection
- ⊙ Electrical connection
- ⊙ Leak detection port
- ⊙ Mech. pos. indication
- ⊙ Position indicator
- ⊙ Required for dismantling
- ⊙ Emergency actuation
- ⊙ For attachment
- ⊙ Bake-out area
- ⊙ Differential pumping port

Angle valve with soft-pump function

Series	290	Ordering No.	29028-KE41-0001
Projection E	DN	Flange	
	25	ISO-KF	
Dimensional Drawing	316625	Rev.	B



VAT Vakuumentile AG  
CH-9469 Haag, Switzerland  
Tel ++41 81 7716161 Fax ++41 81 7714830

Date: 09.05.06  
Name: BCH