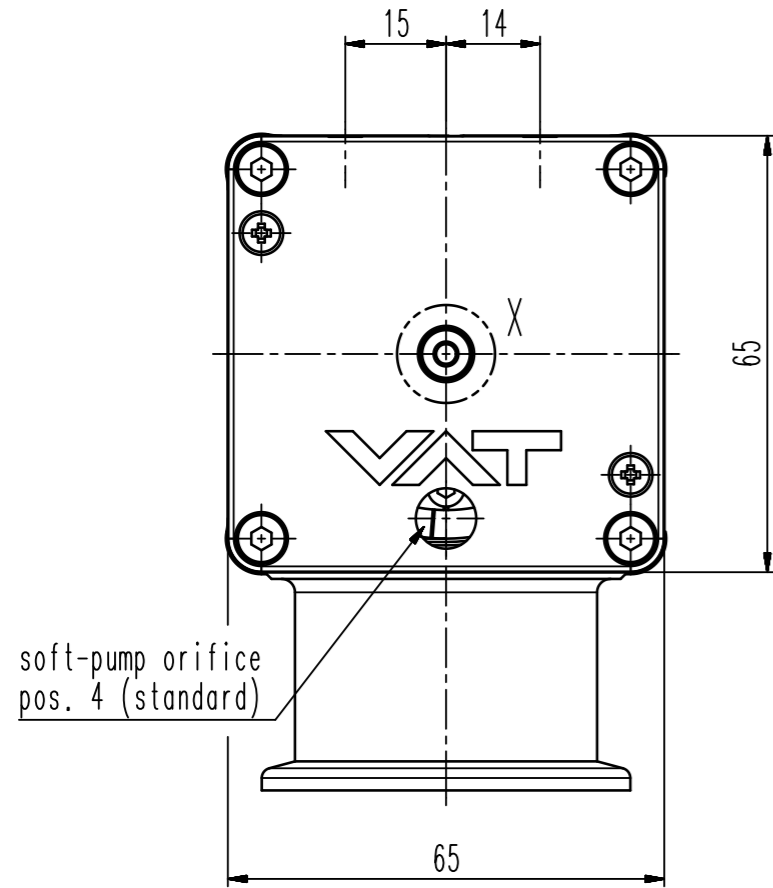
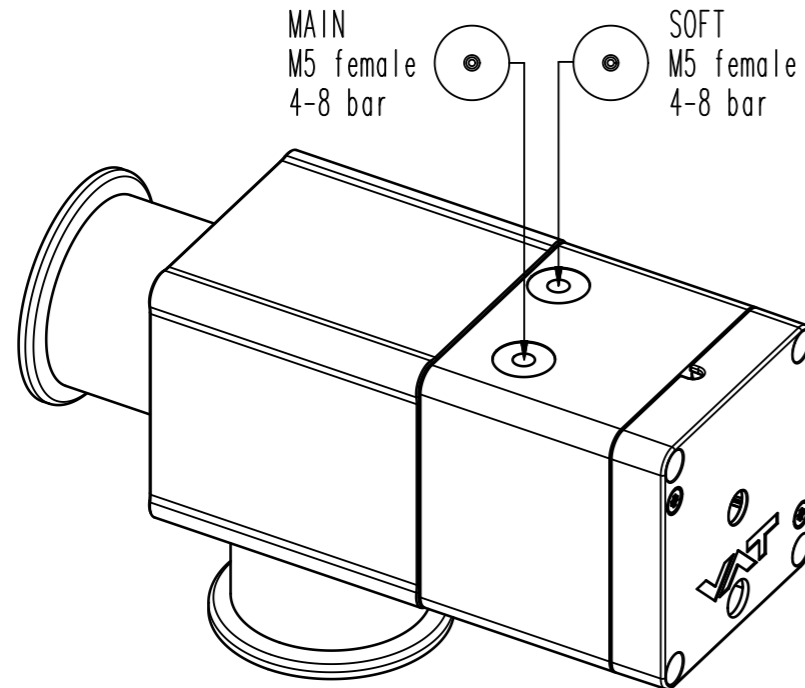
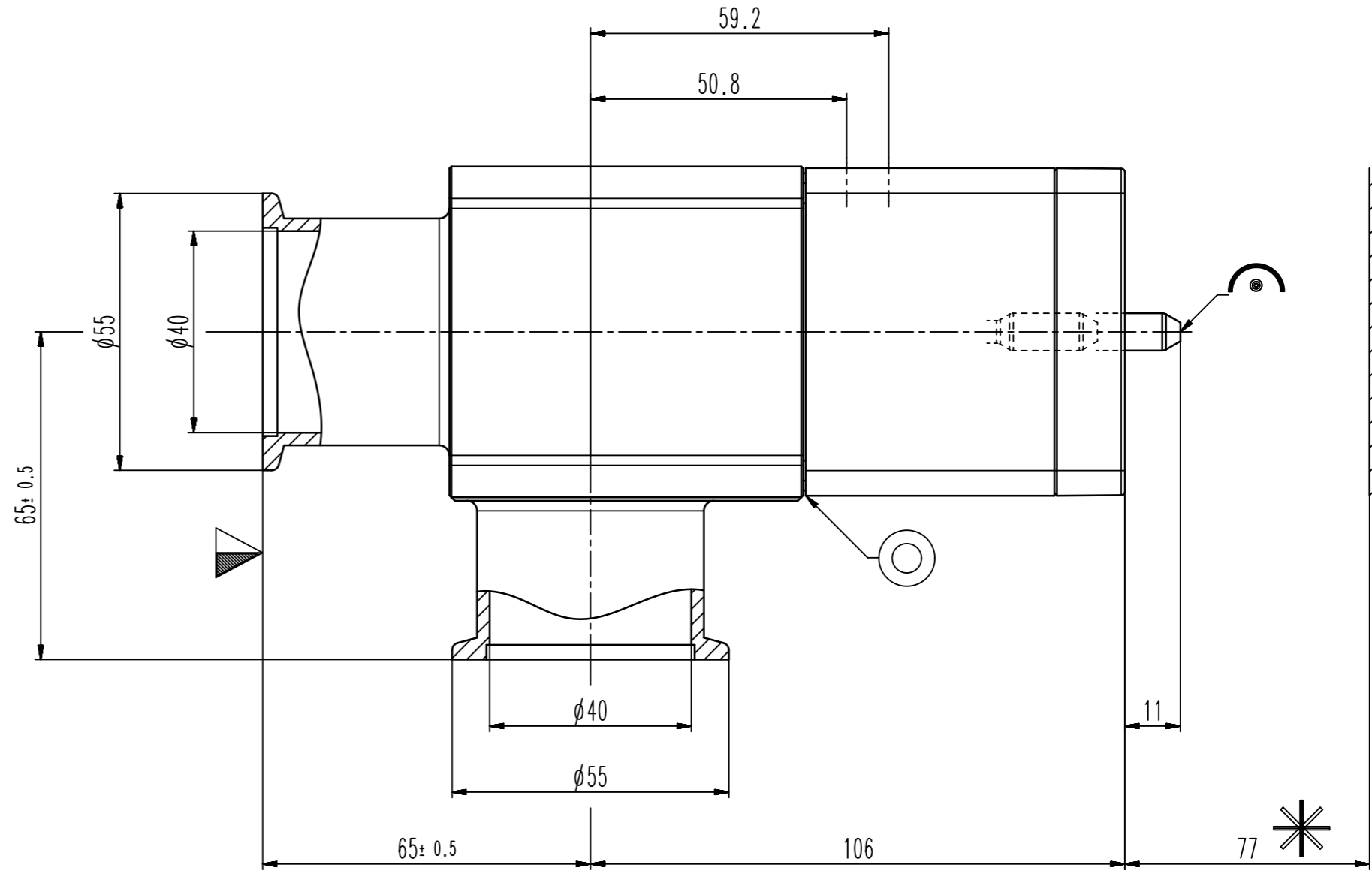
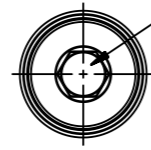


Detail X (2:1)

adjusting screw for softpump
position with allen wrench 3mm



soft-pump orifice
pos. 4 (standard)



- ▼ Seat side
- Comp. air connection
- Electrical connection
- Leak detection port
- Mech. pos. indication
- Position indicator
- Required for dismantling
- Emergency actuation
- For attachment
- Bake-out area
- Differential pumping port

Angle valve with soft-pump function



VAT Vakuumentile AG
CH-9469 Haag, Switzerland
Tel ++41 81 7716161 Fax ++41 81 7714830

Date: 29.08.05
Name: ZVP

Series	290	Ordering No.	29032-KA11-0001
Projection E	DN	Flange	
	40	ISO-KF	
Dimensional Drawing	264170	Rev.	B