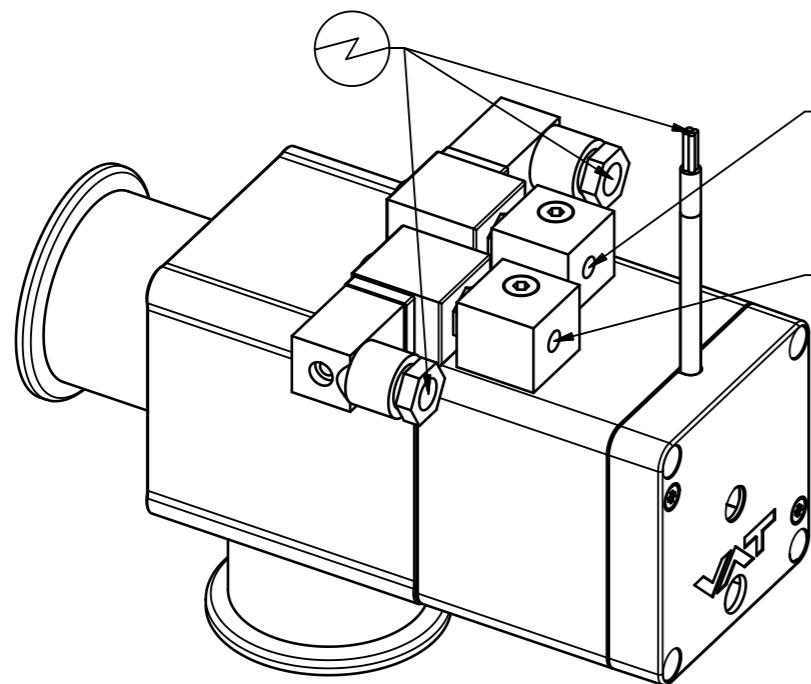
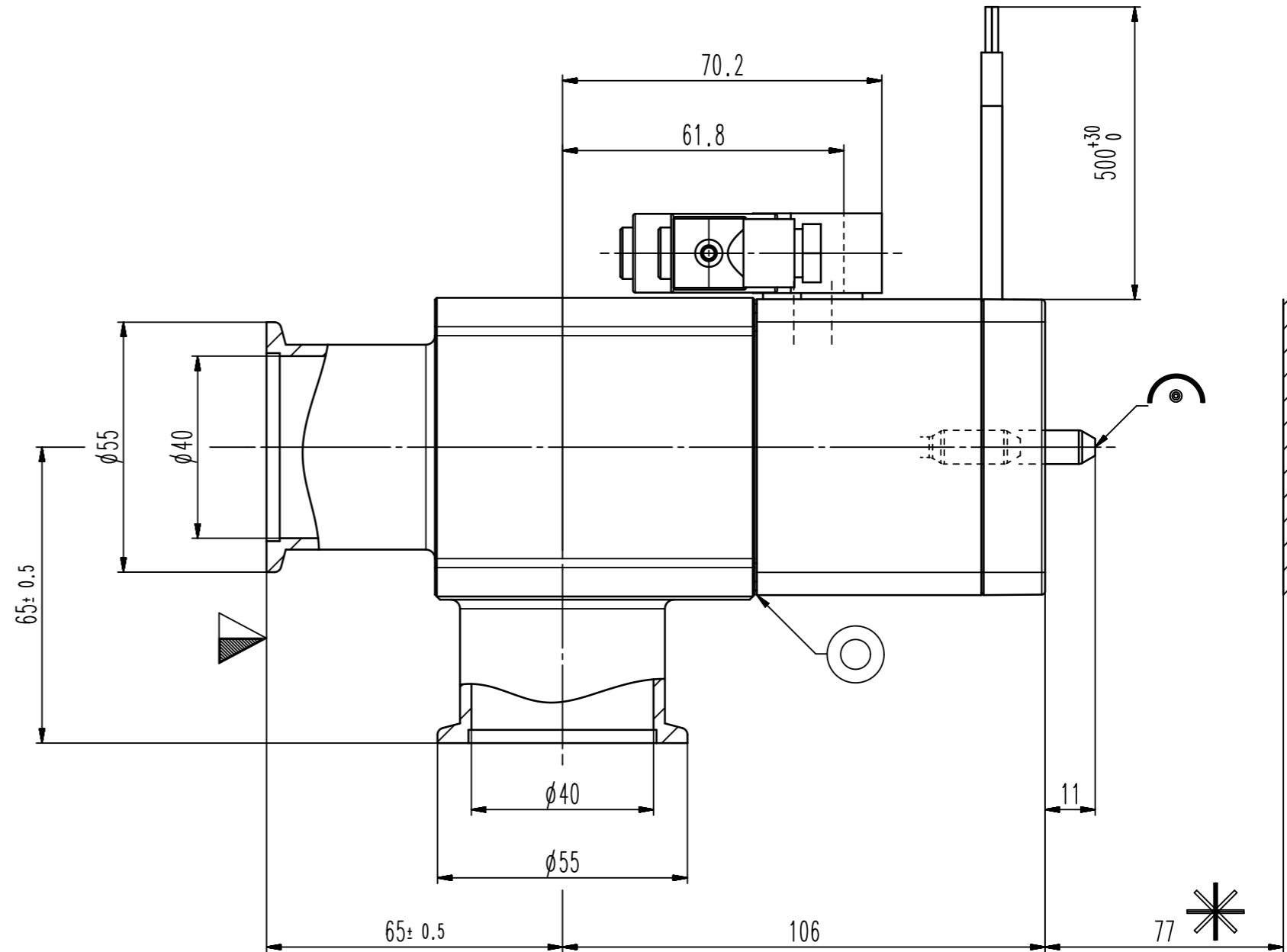
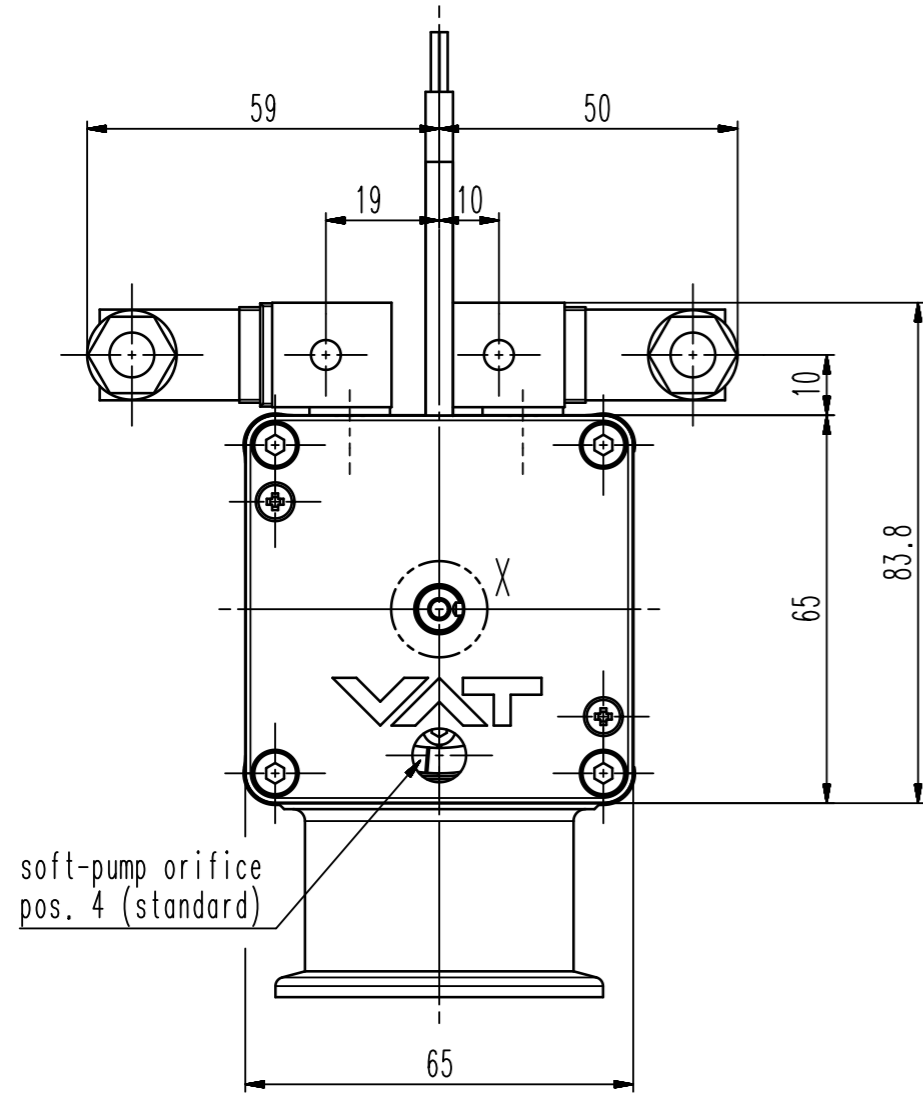
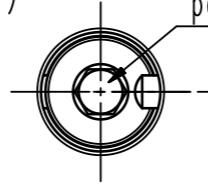


Detail X (2:1)

adjusting screw for softpump position with allen wrench 3mm



- SOFT  
M5 female  
4-8 bar
- MAIN  
M5 female  
4-8 bar

- ▼ Seat side
- ⊙ Comp. air connection
- ⊙ Electrical connection
- ⊙ Leak detection port
- ⊙ Mech. pos. indication
- ⊙ Position indicator
- ⊙ Required for dismantling
- ⊙ Emergency actuation
- ⊙ For attachment
- ⊙ Bake-out area
- ⊙ Differential pumping port

Angle valve with soft-pump function

Series	290	Ordering No.	29032-KA41-0001
Projection E	DN	Flange	
	40	ISO-KF	
Dimensional Drawing	257685	Rev.	D



VAT Vakuumentile AG  
CH-9469 Haag, Switzerland  
Tel ++41 81 7716161 Fax ++41 81 7714830

Date: 05.01.05  
Name: ZVP