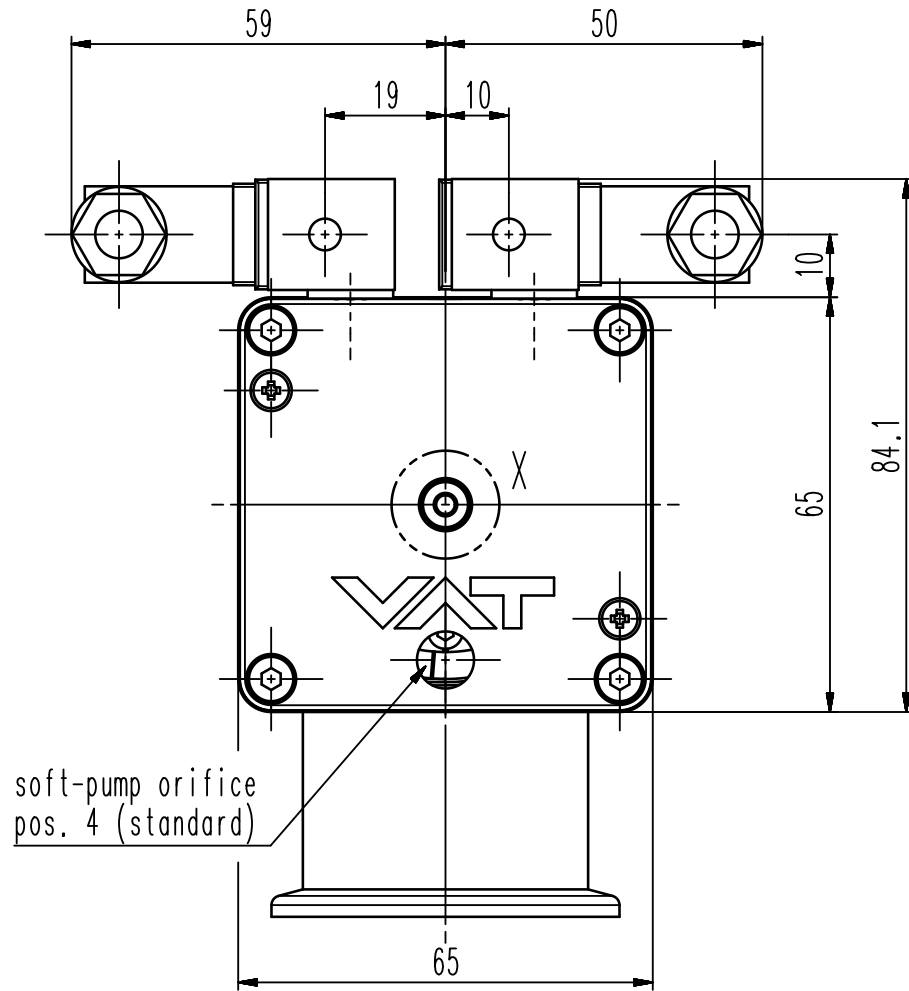
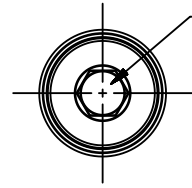
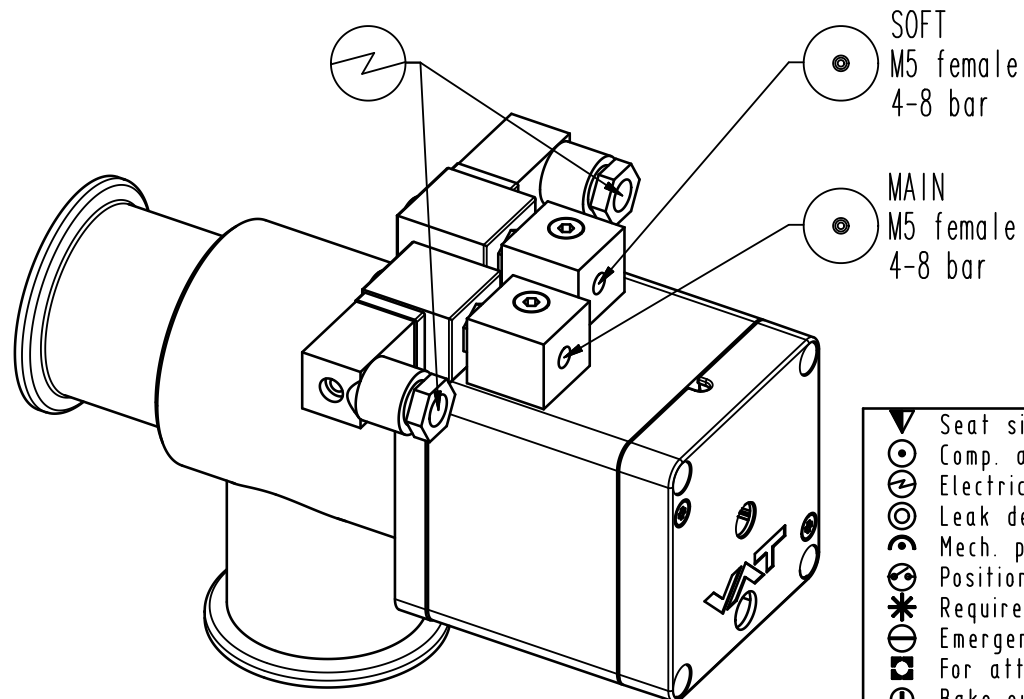
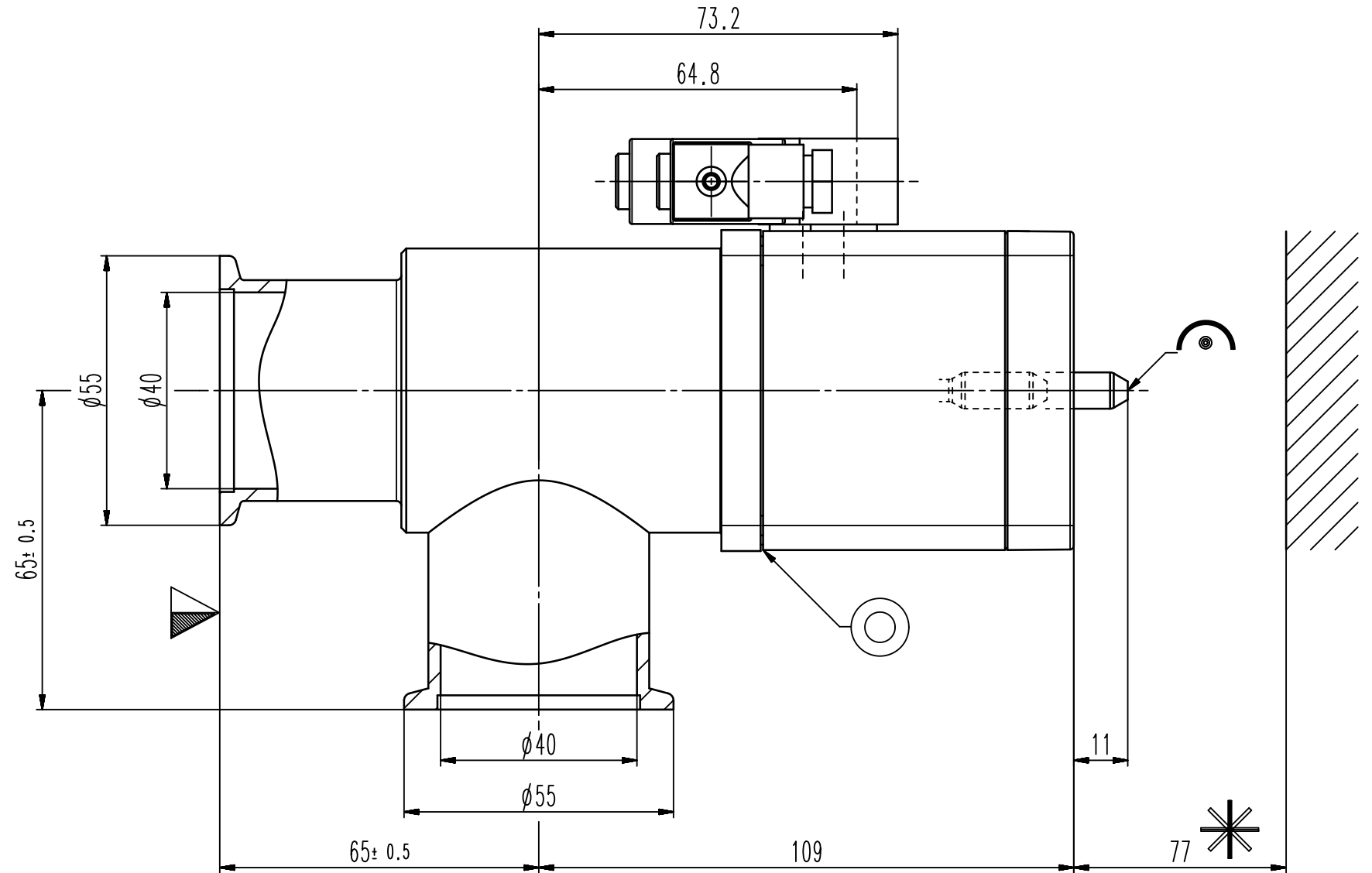


Detail X (2:1)

adjusting screw for softpump position with allen wrench 3mm



soft-pump orifice pos. 4 (standard)



- ▼ Seat side
- ⊙ Comp. air connection
- ⊙ Electrical connection
- ⊙ Leak detection port
- ⊙ Mech. pos. indication
- ⊙ Position indicator
- ⊙ Required for dismantling
- ⊙ Emergency actuation
- ⊙ For attachment
- ⊙ Bake-out area
- ⊙ Differential pumping port

Angle valve with soft-pump function



VAT Vakuumentile AG  
CH-9469 Haag, Switzerland  
Tel ++41 81 7716161 Fax ++41 81 7714830

Date: 24.04.06  
Name: BCH

Series	290	Ordering No.	29032-KE31-0001
Projection E	⊙	DN	40
		Flange	ISO-KF
Dimensional Drawing			315287
		Rev.	A