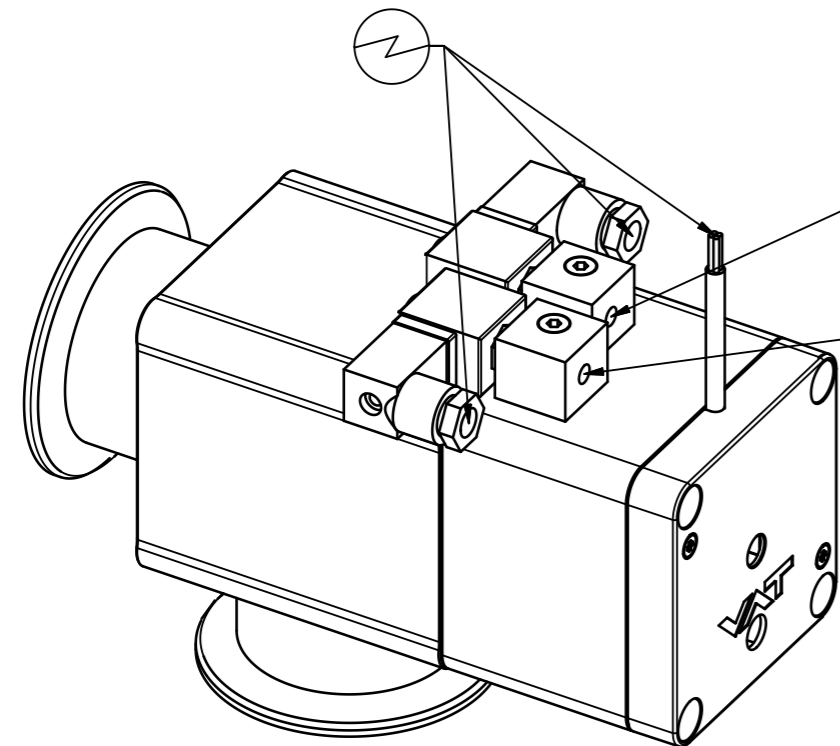
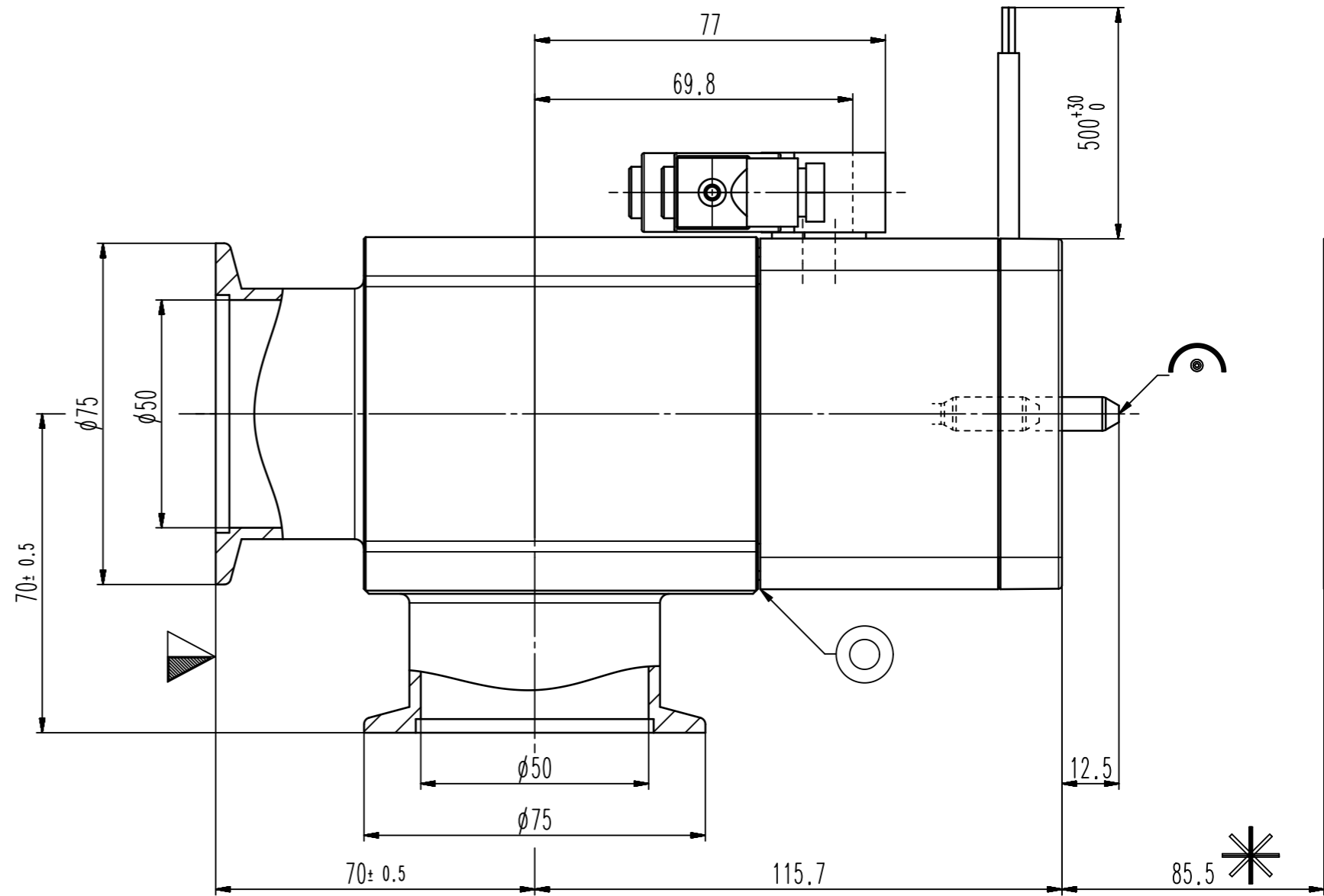
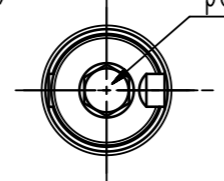
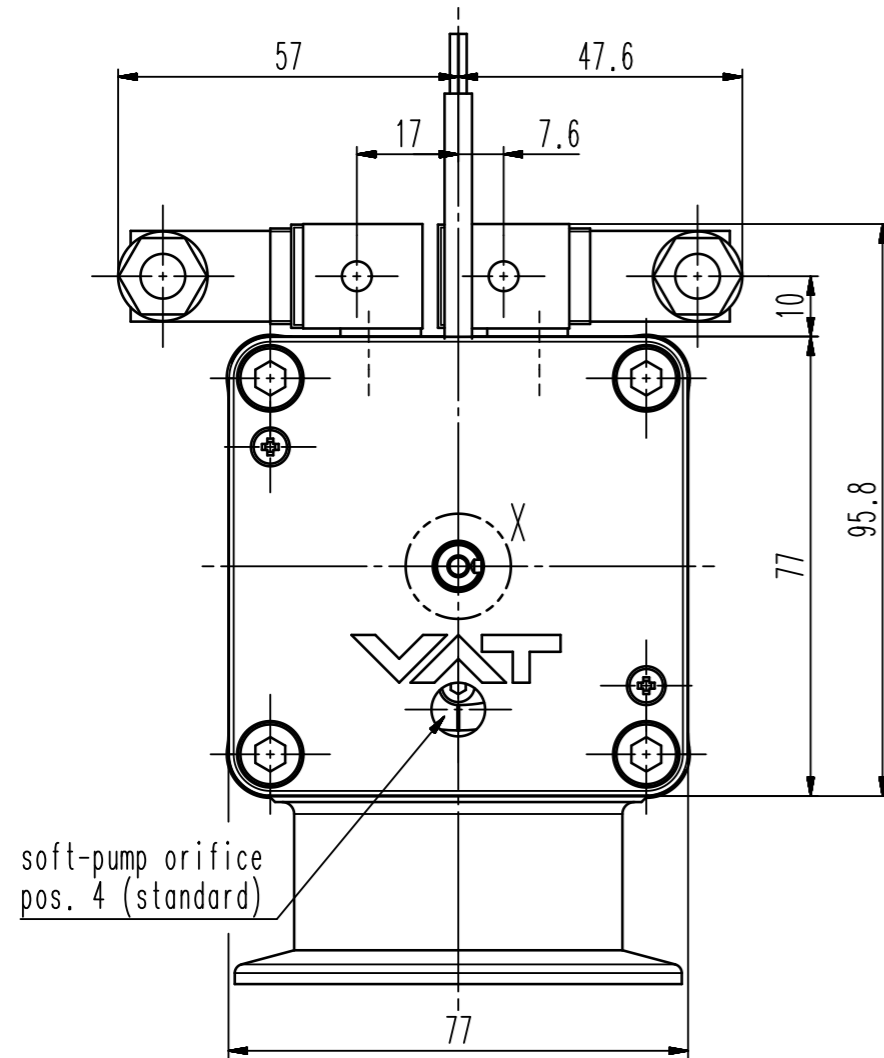


Detail X (2:1)

adjusting screw for softpump position with allen wrench 3mm



- SOFT
M5 female
4-8 bar
- MAIN
M5 female
4-8 bar

- ▼ Seat side
- ⊙ Comp. air connection
- ⊙ Electrical connection
- ⊙ Leak detection port
- ⊙ Mech. pos. indication
- ⊙ Position indicator
- ⊙ Required for dismantling
- ⊙ Emergency actuation
- ⊙ For attachment
- ⊙ Bake-out area
- ⊙ Differential pumping port

Angle valve with soft-pump function



VAT Vakuumentile AG
CH-9469 Haag, Switzerland
Tel ++41 81 7716161 Fax ++41 81 7714830

Date: 22.04.09
Name: HAL

Series	290	Ordering No.	29034-KA41-0003
Projection E	DN	Flange	
	50	ISO-KF	
Dimensional Drawing	402740	Rev.	A