



VAT Vakuumventile AG  
CH-9469 Haag, Schweiz

## Product data sheet

**HV angle valve**  
**Series 264, DN 40 (ID 1 1/2")**  
**Ordering No. 26432-KE32-0001**

### Description

Flange	ISO-KF 40
Actuator	Pneumatic, single acting with opening spring – with solenoid valve – without position indicator
Feedthrough	Bellows

### Technical data

Leak rate	– Valve body – Valve seat	$< 1 \cdot 10^{-9}$ mbar ls <sup>-1</sup> $< 1 \cdot 10^{-9}$ mbar ls <sup>-1</sup>
Pressure range		$1 \cdot 10^{-8}$ mbar to 5 bar (abs)
Differential pressure on the plate	– In opening direction – In closing direction	$\leq 2$ bar $\leq 5$ bar
Differential pressure at opening		$\leq 1$ bar
Conductance (molecular flow)		45 ls <sup>-1</sup>
Closing time		$\leq 0.55$ sec.
Cycles until first service (T <sub>max</sub> 80 °C, under clean conditions)		3 million
Temperature (Maximum values: depending on operating conditions and sealing materials)	– Valve body – Actuator – Solenoid valve	$\leq 150$ °C $\leq 120$ °C $\leq 80$ °C
Material	– Valve body – Actuator – Plate – Bellows	AISI 304 (1.4301) Aluminum AISI 316L (1.4404) AISI 316L (1.4404, 1.4435) AISI 316 Ti (1.4571)
Seal	– Bonnet O-ring – Plate O-ring – Actuator O-ring	FKM (Viton®) FKM (Viton®) FKM (Viton®)
Weight		1.40 kg / 3.086lbs
Mounting position		any
Volume of pneumatic actuator		0.035 l / 0.0012 ft <sup>3</sup>
Compressed air min. – max. overpressure		4 – 8 bar / 58 – 116 psi
Compressed air connection		M5 female (10-32 UNF suitable)

Created by: POM	Release date: 30.09.2021	1/2
Modified by:	Release date:	<b>1127783EA</b>



VAT Vakuumventile AG  
CH-9469 Haag, Schweiz

## Product data sheet

### HV angle valve

**Series 264, DN 40 (ID 1 1/2")**

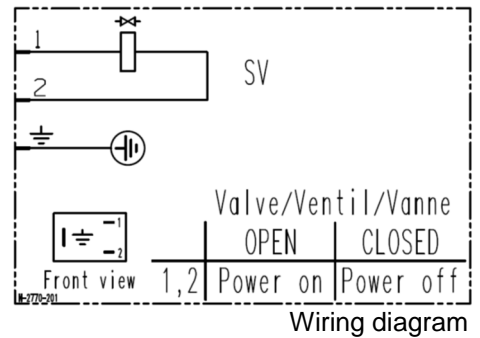
**Ordering No. 26432-KE32-0001**

Behavior in case of compressed air pressure drop	- Valve closed	Valve opens
	- Valve opened	Valve remains open
	- During actuation	Valve opens
Behavior in case of power failure	- Valve closed	Valve opens
	- Valve opened	Valve remains open
	- During actuation	Valve opens

## Electrical connections

### Solenoid valve

Type	3/2-way
Voltage	See solenoid
Power	See solenoid
Connector	Rectangle plug, Type B (DIN standard)
Cable	Ø6 – 8 mm



Created by: POM	Release date: 30.09.2021	2/2
Modified by:	Release date:	<b>1127783EA</b>