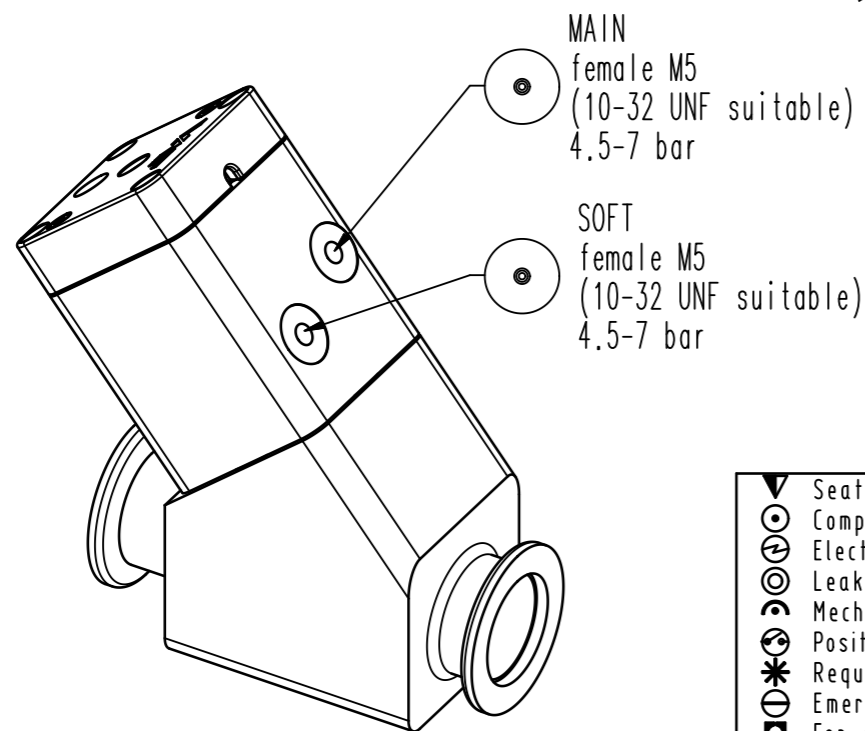
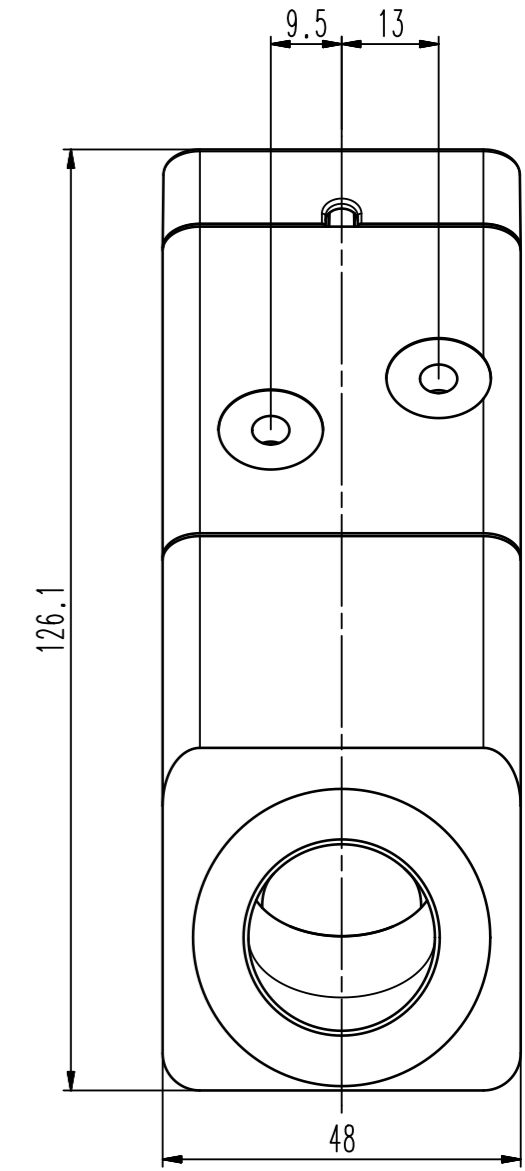
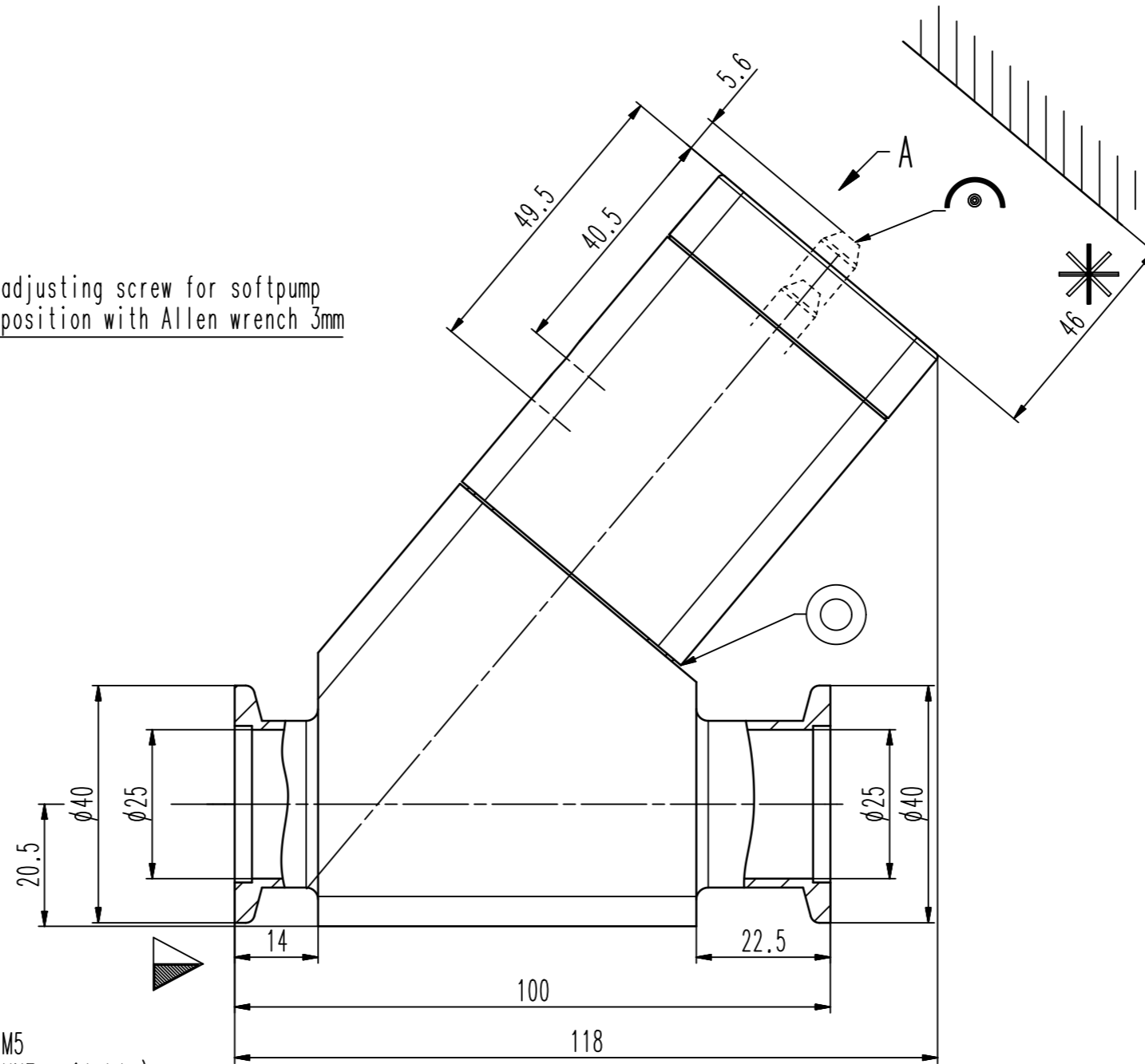
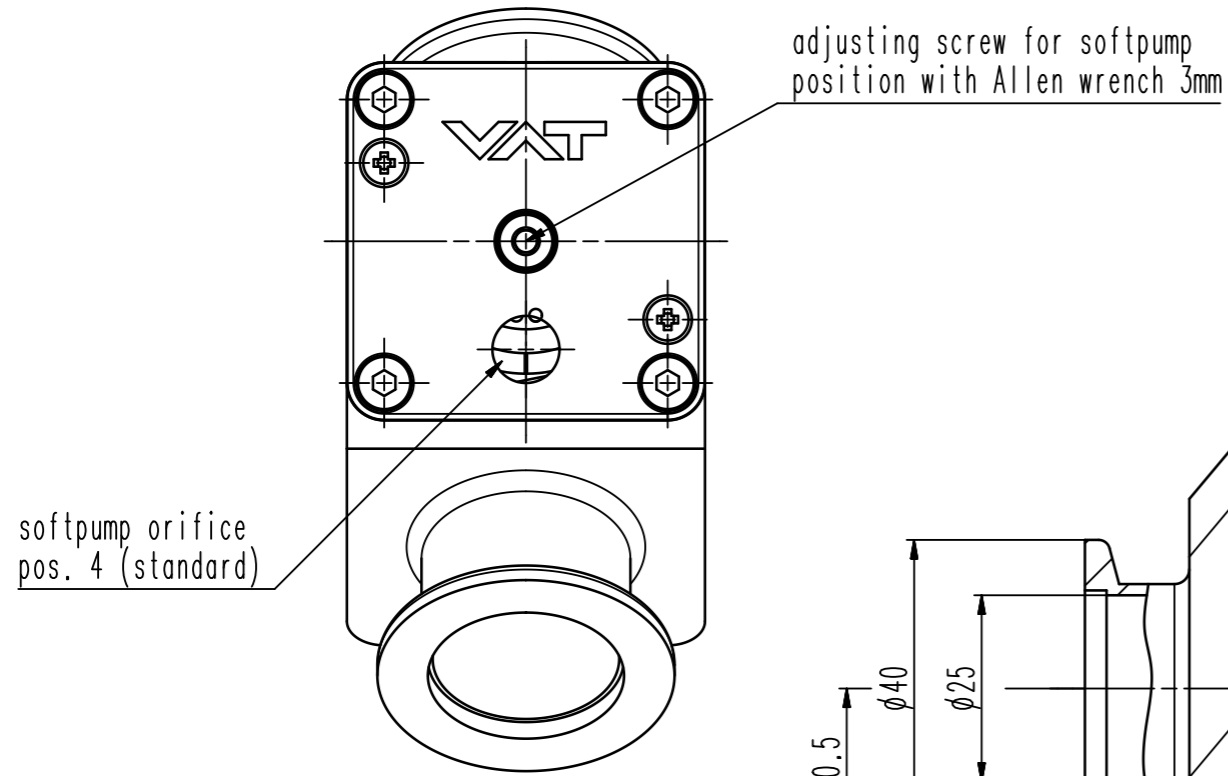


Ansicht A



- ▼ Seat side
- ⊙ Comp. air connection
- ⊙ Electrical connection
- ⊙ Leak detection port
- ⊙ Mech. pos. indication
- ⊙ Position indicator
- ⊙ Required for dismantling
- ⊙ Emergency actuation
- ⊙ For attachment
- ⊙ Bake-out area
- ⊙ Differential pumping port

Inline valve with soft-pump function



VAT Vakuumentile AG  
 CH-9469 Haag, Switzerland  
 Tel ++41 81 7716161 Fax ++41 81 7714830

Date: 25.04.06  
 Name: BCH

Series	291	Ordering No.	29128-KA11-0001
Projection E	DN	Flange	
	25	ISO-KF	
Dimensional Drawing	315411	Rev.	C