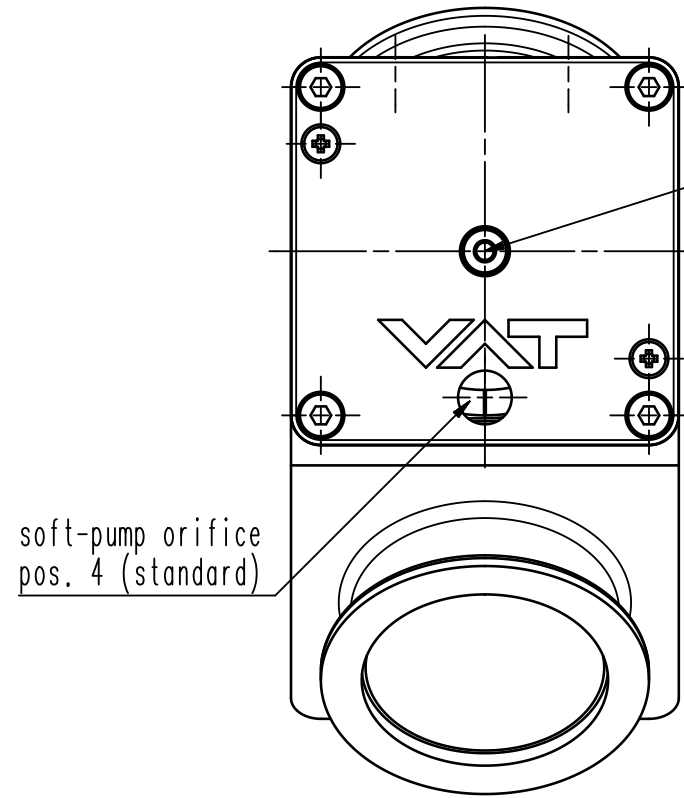
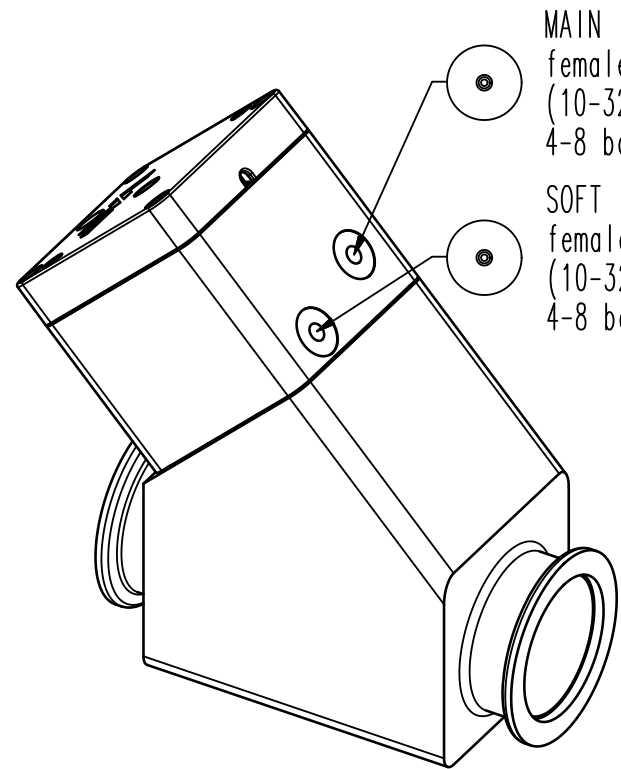
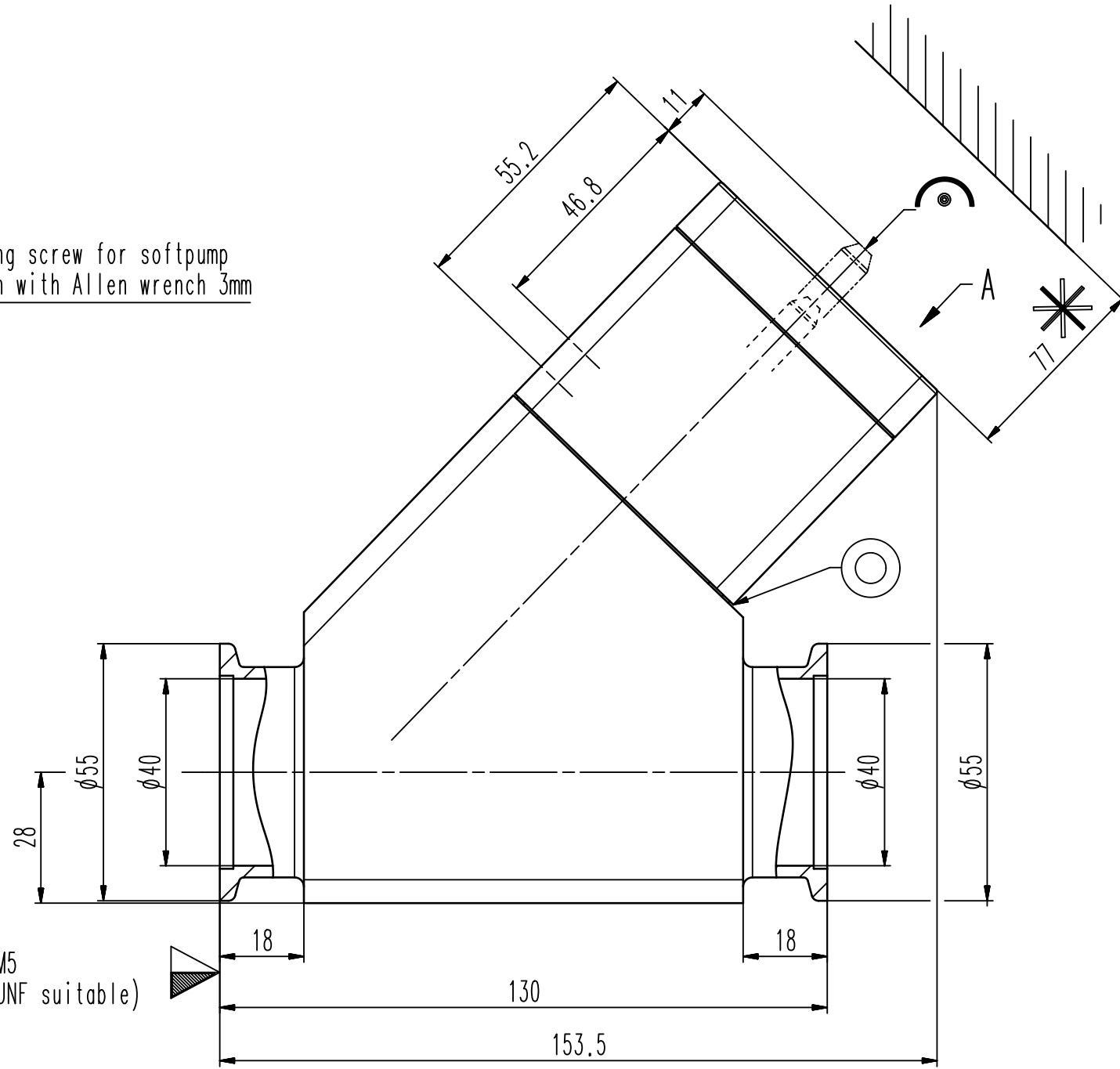


Ansicht A



soft-pump orifice pos. 4 (standard)

adjusting screw for softpump position with Allen wrench 3mm



MAIN female M5 (10-32 UNF suitable) 4-8 bar  
SOFT female M5 (10-32 UNF suitable) 4-8 bar

- ▼ Seat side
- ⊙ Comp. air connection
- ⊙ Electrical connection
- ⊙ Leak detection port
- ⊙ Mech. pos. indication
- ⊙ Position indicator
- ⊙ \* Required for dismantling
- ⊙ Emergency actuation
- ⊙ For attachment
- ⊙ Bake-out area
- ⊙ Differential pumping port

Inline valve with soft-pump function



VAT Vakuumentile AG  
CH-9469 Haag, Switzerland  
Tel ++41 81 7716161 Fax ++41 81 7714830

Date: 02.03.06  
Name: BER

Series	291	Ordering No.	29132-KA11-0001
Projection E	DN	Flange	
	40	ISO-KF	
Dimensional Drawing	311975	Rev.	C