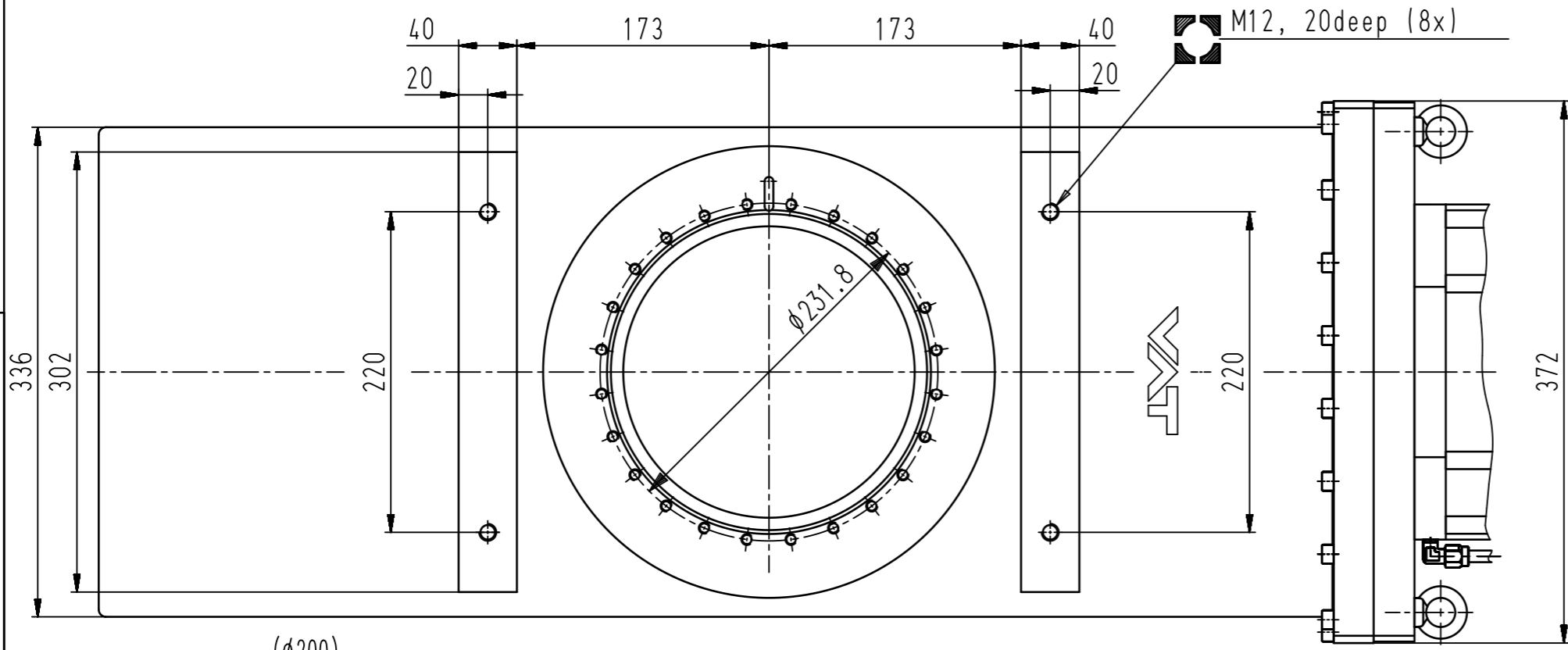
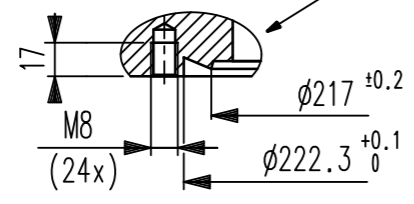
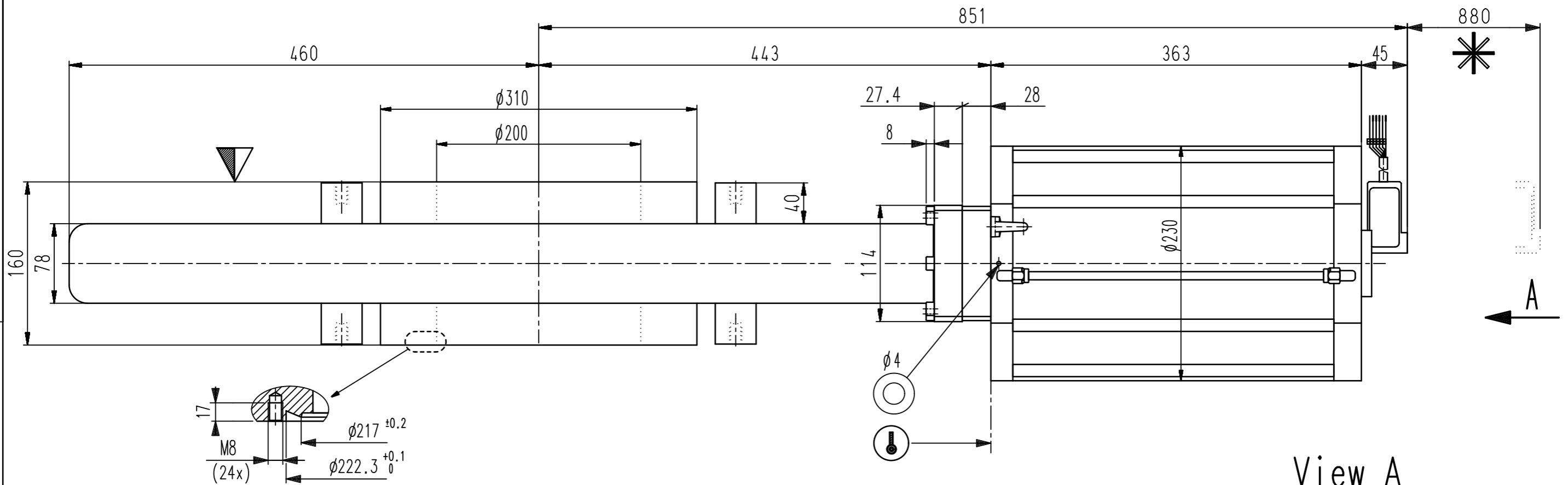


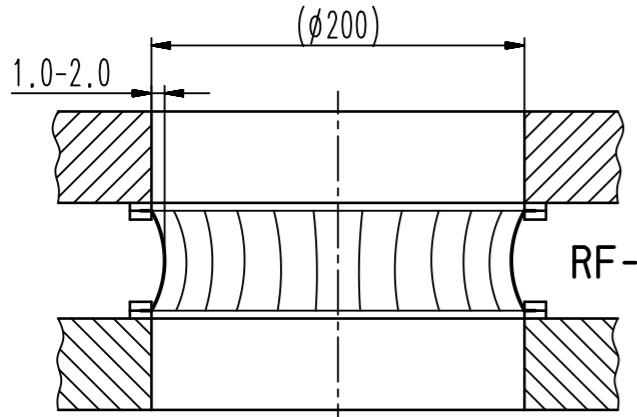
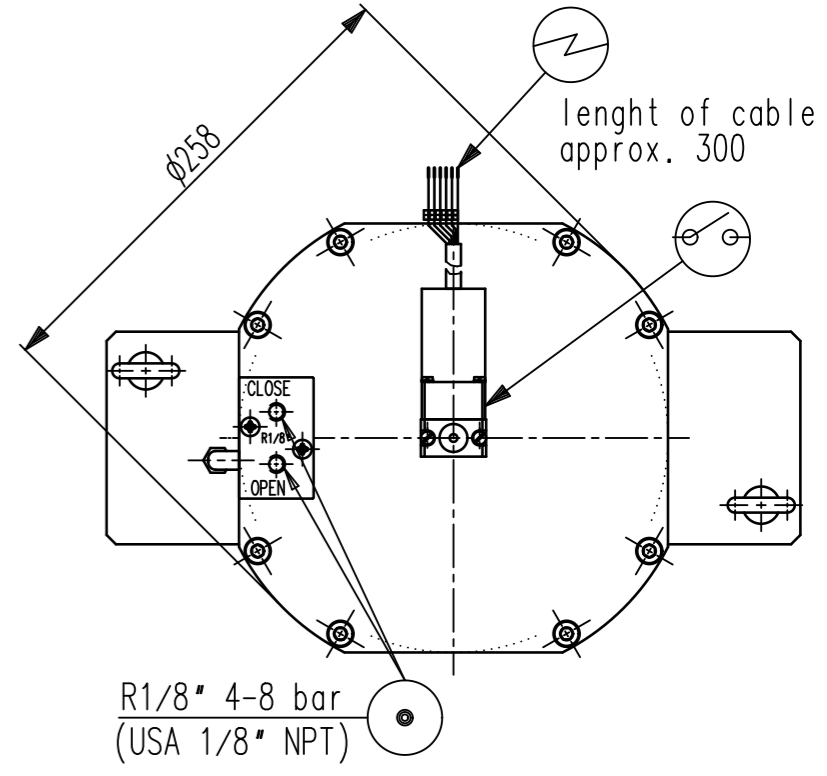
This drawing is the property of VAT.

Revision

Customer number



View A



RF-Passage

- ▼ Seat side
- ⊙ Comp. air connection
- ⊙ Electrical connection
- ⊙ Leak detection port
- ⊙ Mech. pos. indication
- ⊙ Position indicator
- ⊙ Required for dismantling
- ⊙ Emergency actuation
- ⊙ For attachment
- ⊙ Bake-out area
- ⊙ Differential pumping port

RF all-metal gate valve

position indicator 200°C



VAT Vakuumentile AG
CH-9469 Haag, Switzerland
Tel ++41 81 7716161 Fax ++41 81 7714830

Date: 15.12.08
Name: WDA

Series	471	Ordering No.	47146-CE72-ADX1
Projection E		DN	200
		Flange	CF-F m
Dimensional Drawing			391345
		Rev.	