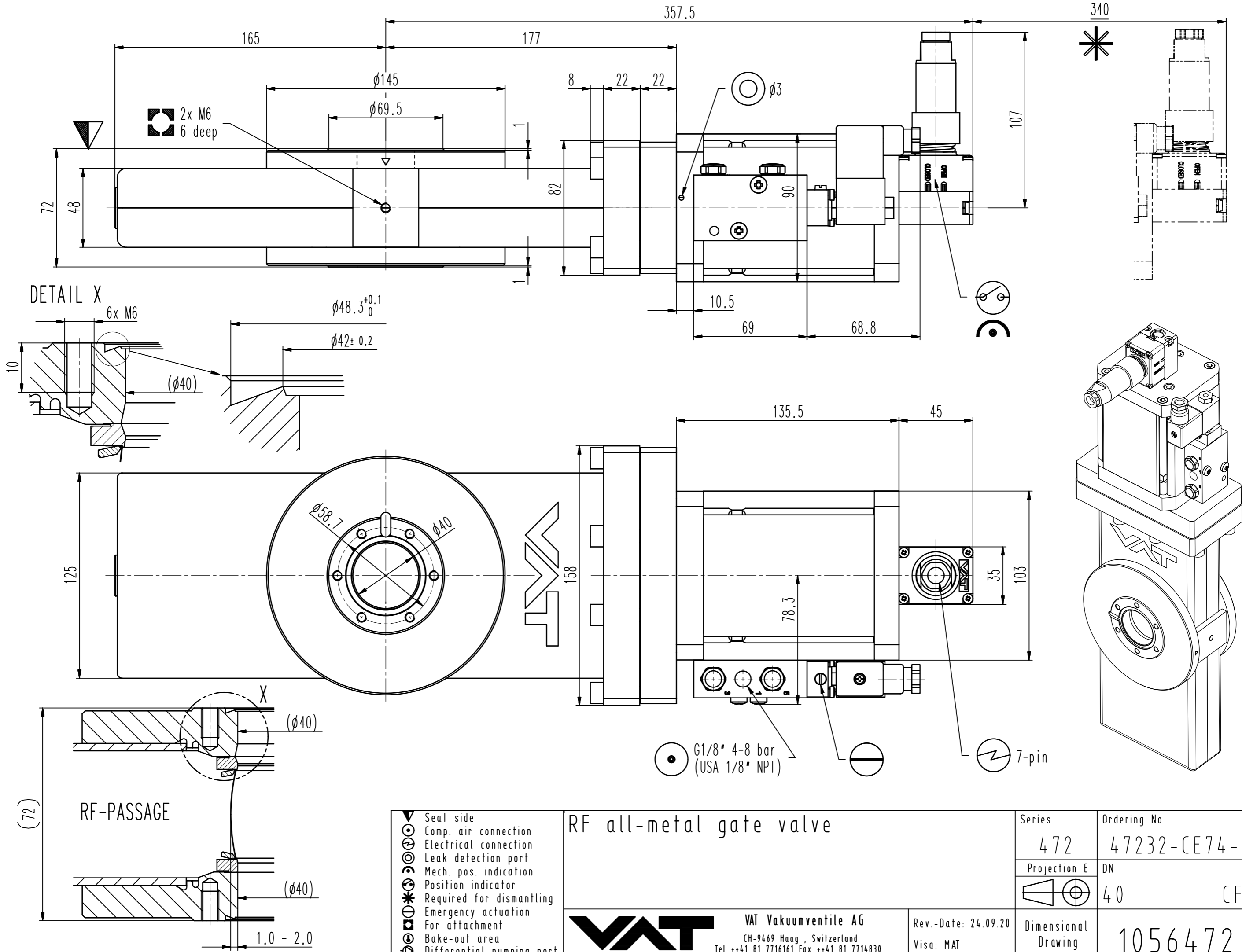


This drawing is the property of VAT.

Revision

Customer number



RF all-metal gate valve



VAT Vakuumventile AG

CH-9469 Haag, Switzerland
Tel ++41 81 7716161 Fax ++41 81 7714830

Rev.-Date: 24.09.20

Visa: MAT

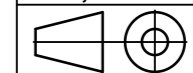
Series

472

Ordering No.

47232-CE74-0001

Projection E



DN

40

Flange

CF-F m

Dimensional Drawing

1056472

Rev.

VAT/DA