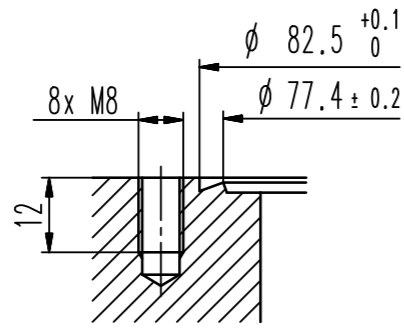


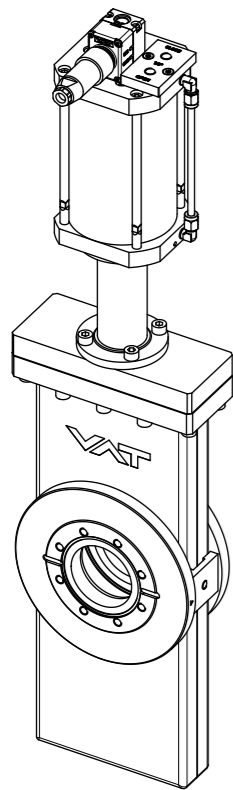
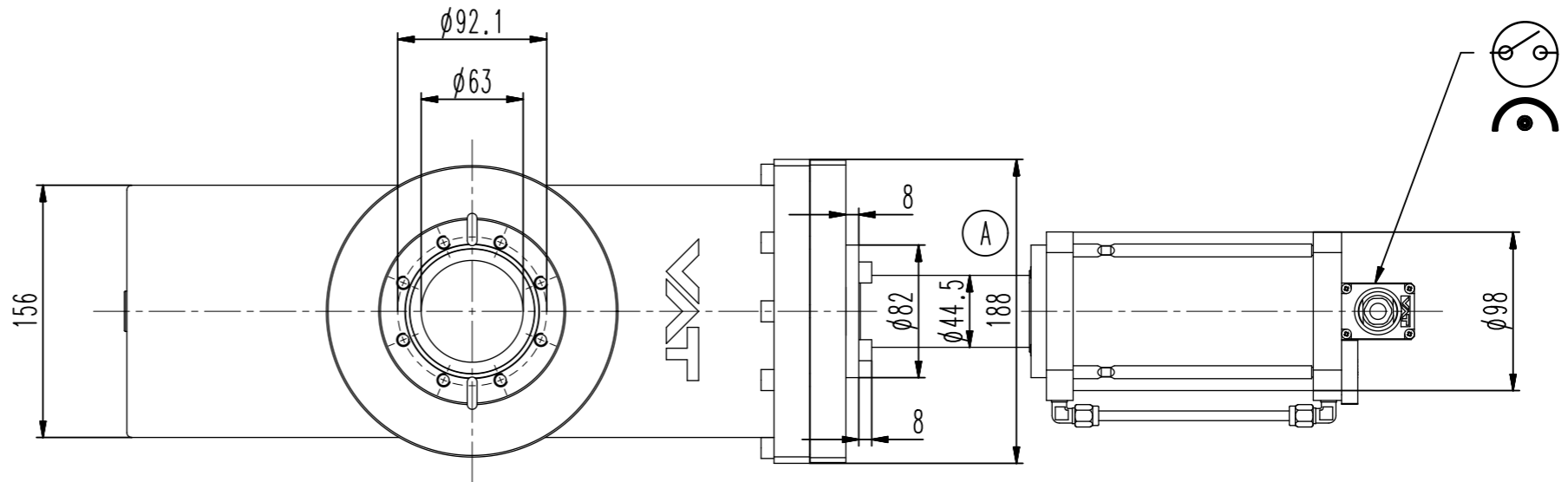
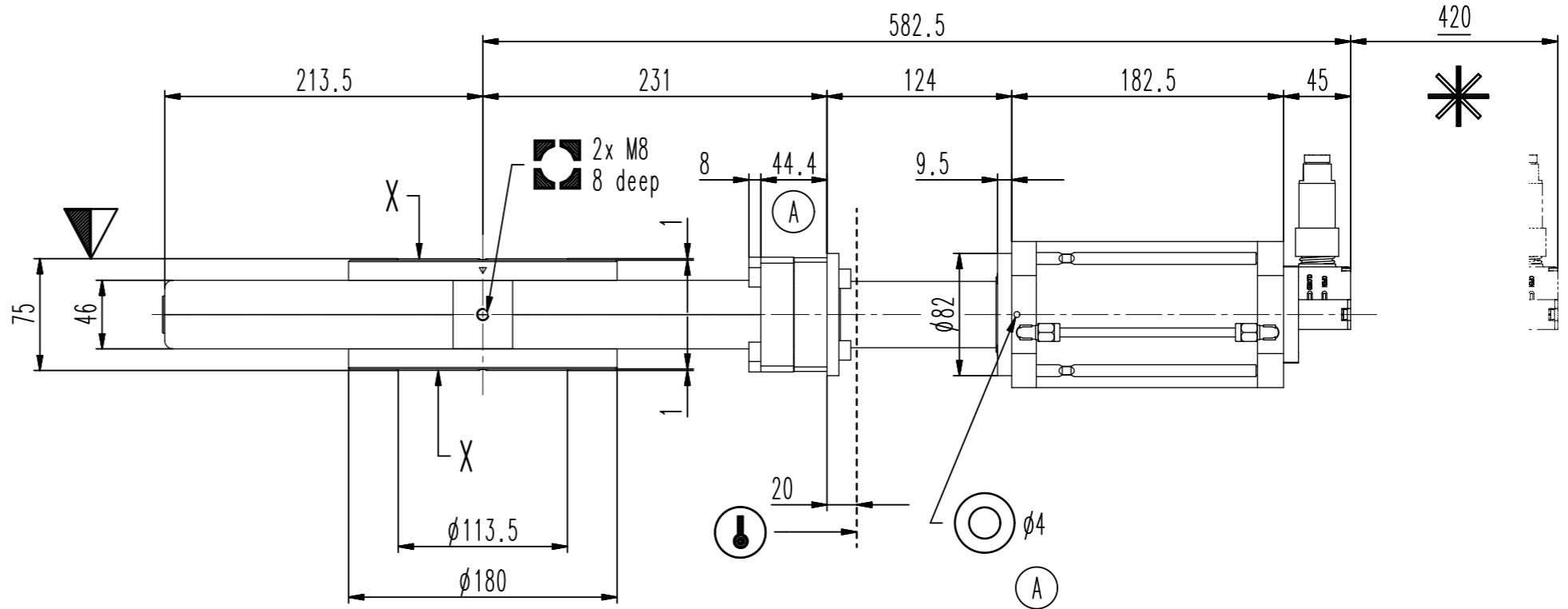
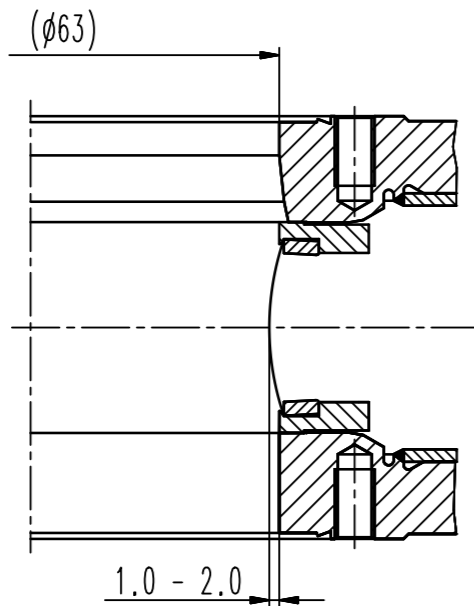
G1/8" 4-8 bar
(USA 1/8" NPT)

(A)

Detail X



RF-Passage



- Seat side
- Comp. air connection
- Electrical connection
- Leak detection port
- Mech. pos. indication
- Position indicator
- Required for dismantling
- Emergency actuation
- For attachment
- Bake-out area
- Differential pumping port

RF all-metal gate valve



VAT Vakuumventile AG

CH-9469 Haag, Switzerland
Tel ++41 81 7716161 Fax ++41 81 7714830

Rev.-Date: 05.10.15

Visa: MPA

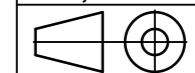
Series

472

Ordering No.

47236-CE24-0001

Projection E



DN

63

Flange

CF-F m

Dimensional Drawing

332635

Rev.

A