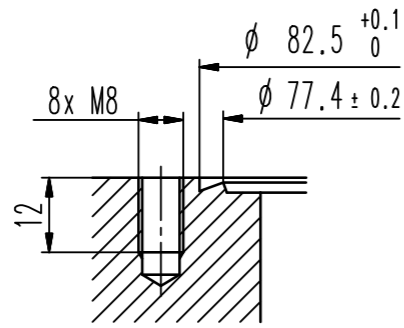
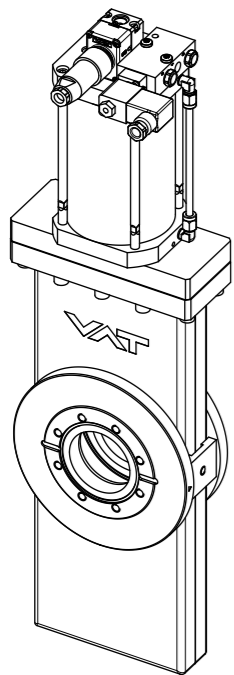
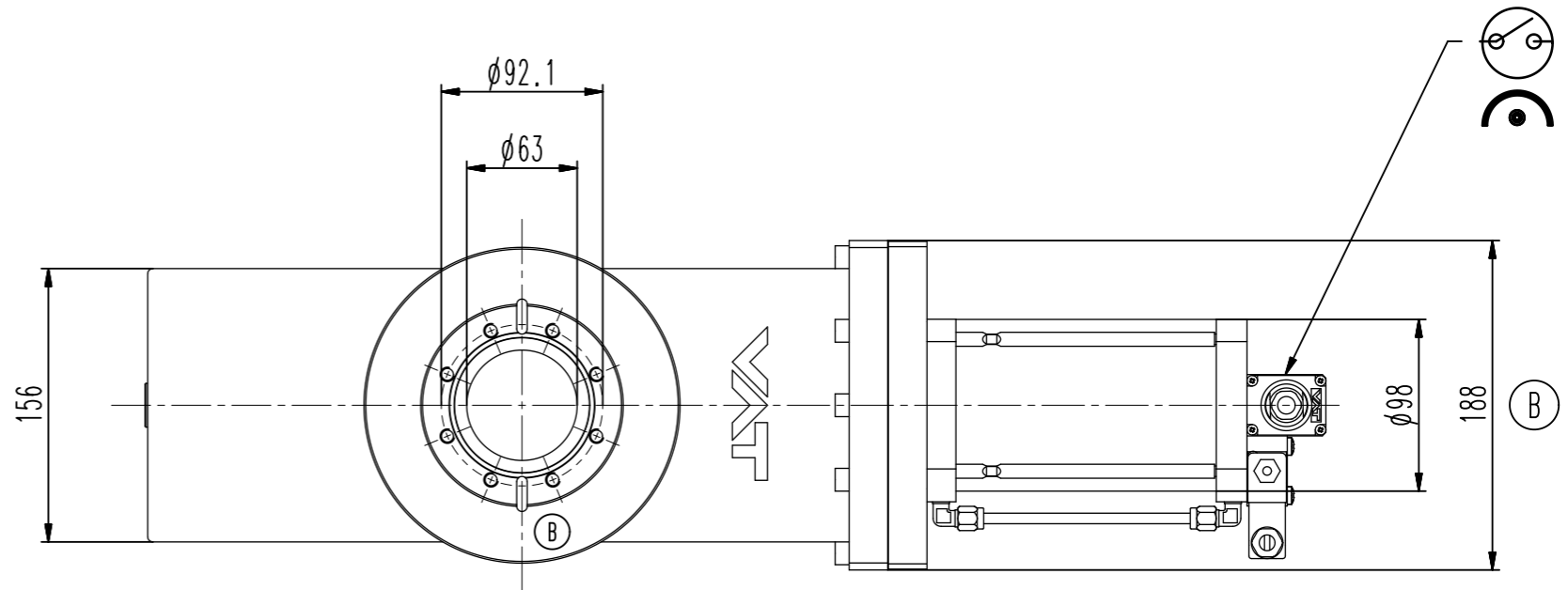
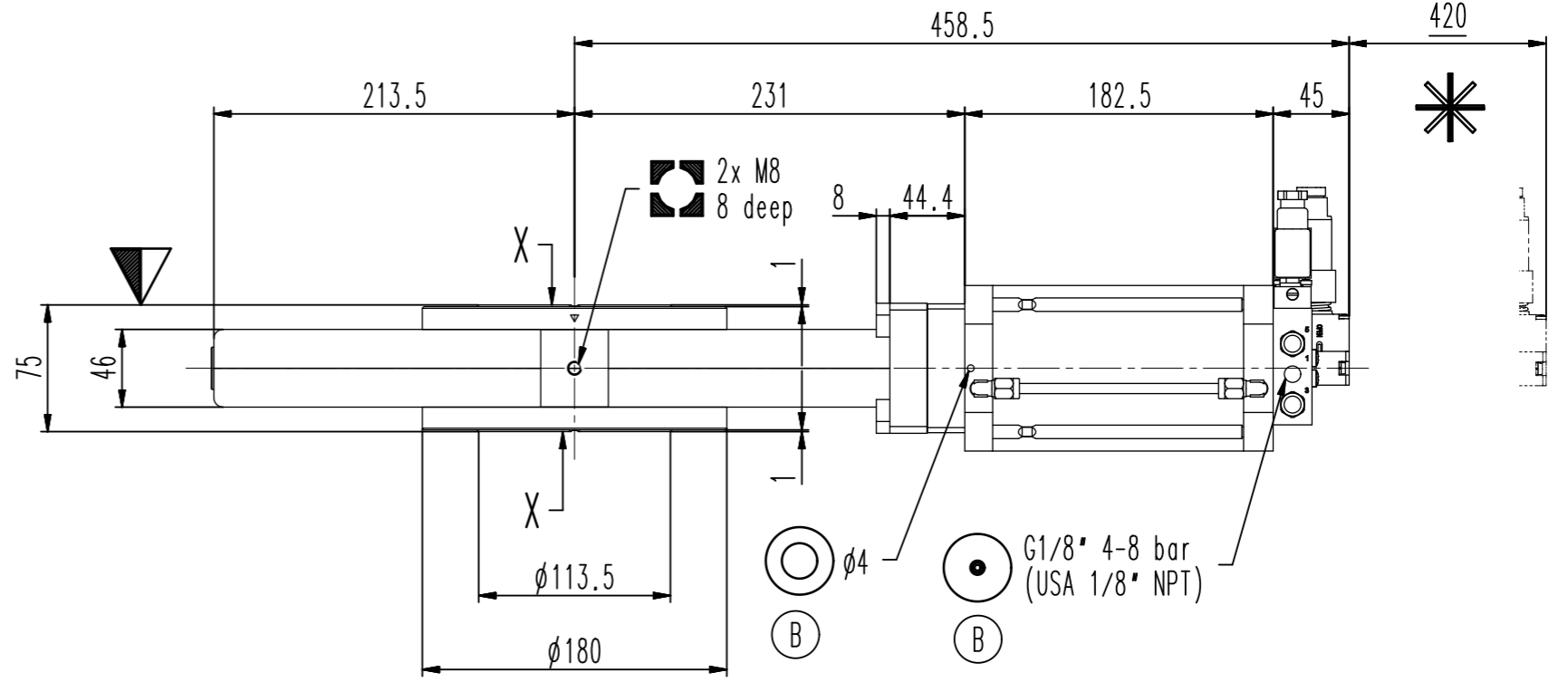
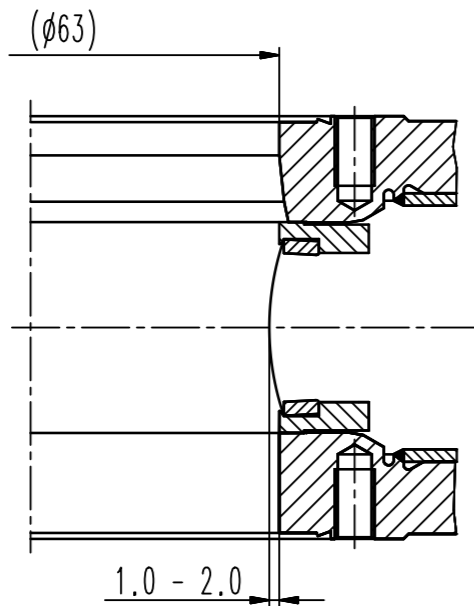


Detail X



RF-Passage



- ▼ Seat side
- ⊙ Comp. air connection
- ⊙ Electrical connection
- ⊙ Leak detection port
- ⊙ Mech. pos. indication
- ⊙ Position indicator
- ⊙ Required for dismantling
- ⊙ Emergency actuation
- ⊙ For attachment
- ⊙ Bake-out area
- ⊙ Differential pumping port

RF all-metal gate valve



VAT Vakuumventile AG

CH-9469 Haag, Switzerland
Tel ++41 81 7716161 Fax ++41 81 7714830

Rev.-Date: 05.10.15

Visa: MPA

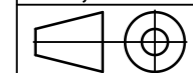
Series

472

Ordering No.

47236-CE74-0001

Projection E



DN

63

Flange

CF-F m

Dimensional Drawing

208127

Rev.

B