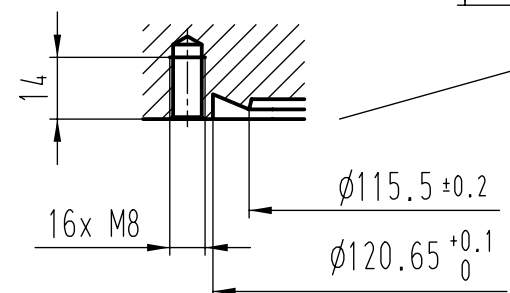
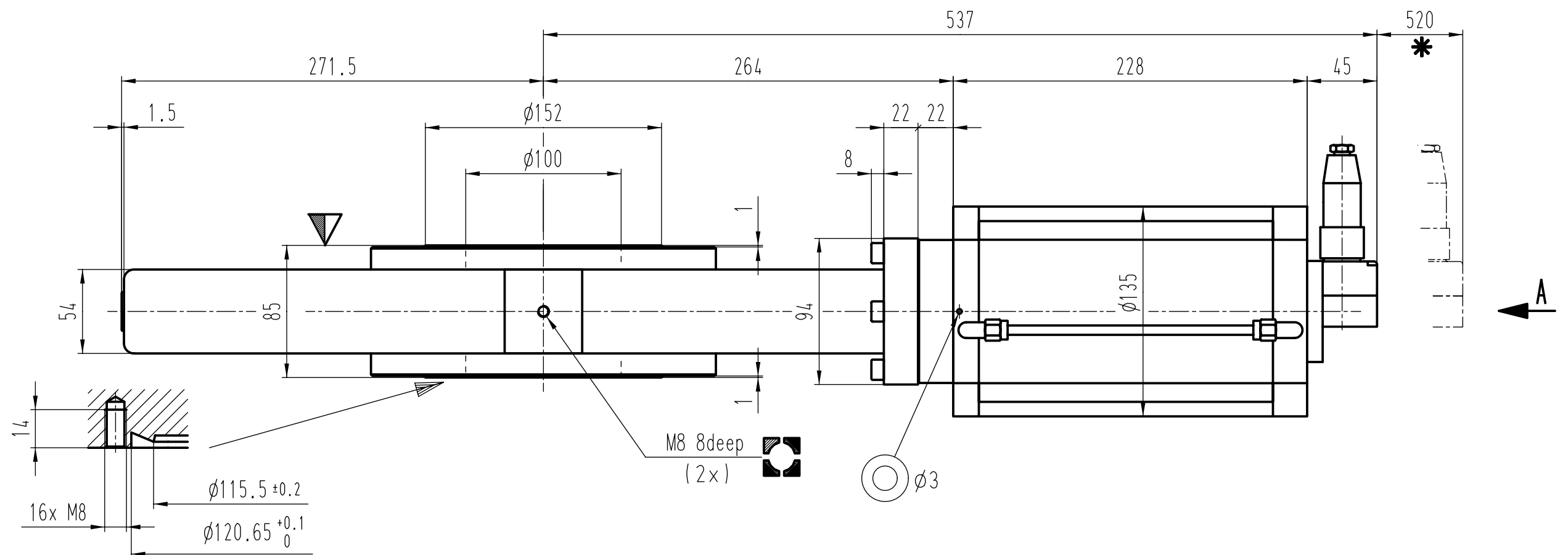
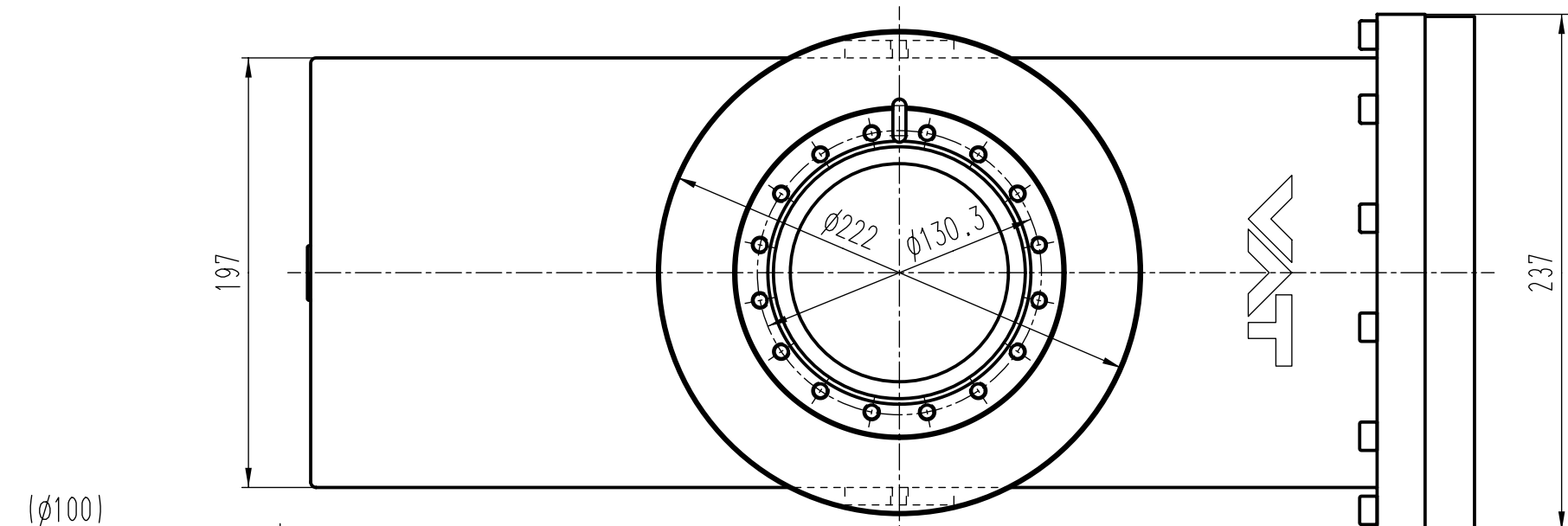


This drawing is the property of VAT.  
Without the written consent of VAT, it must  
not be copied or distributed to a third person

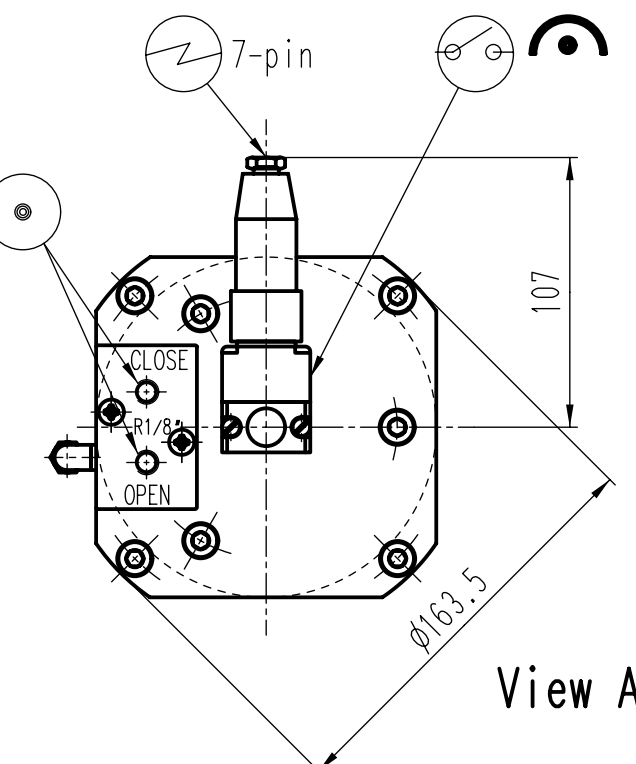


M8 8deep  
(2x)

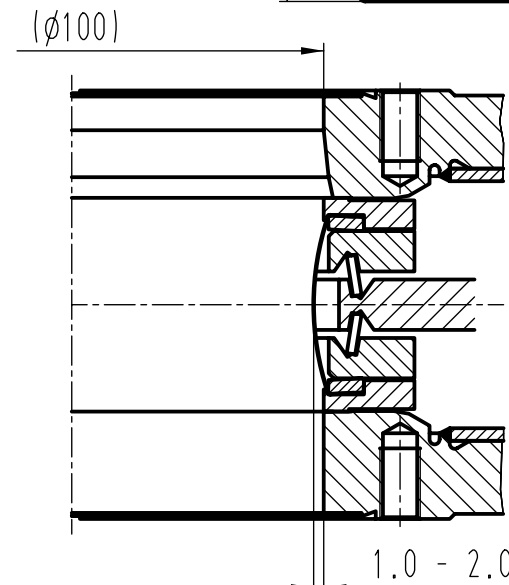
∅3



R1/8" 4-8 bar  
(USA 1/8" NPT)



View A



RF-Passage

- ▼ Seat side
- ⊙ Comp. air connection
- ⊕ Electrical connection
- ⊙ Leak detection port
- ⊙ Mech. pos. indication
- ⊙ Position indicator
- ⊙ Required for dismantling
- ⊙ Emergency actuation
- ⊙ For attachment
- ⊙ Bake-out area
- ⊙ Differential pumping port

### RF-All-Metal Gate Valve

pneumatic actuator (double acting)



**VAT Vakuumventile AG**  
CH-9469 Haag, Switzerland  
Tel ++41 81 7716161 Fax ++41 81 7714830

Date: 01.09.03  
Name: Schneider

Series	47.2	Ordering No.	47240-CE72
Projection E		DN	100
Flange			CF-F
Dimensional Drawing		242662	Rev.

Revision	
Code	
Date	
Name	