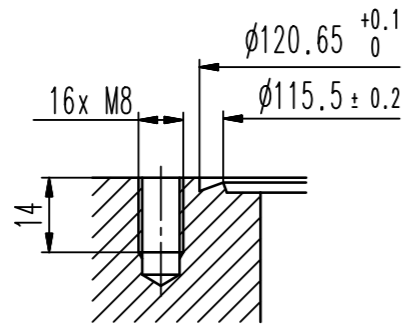
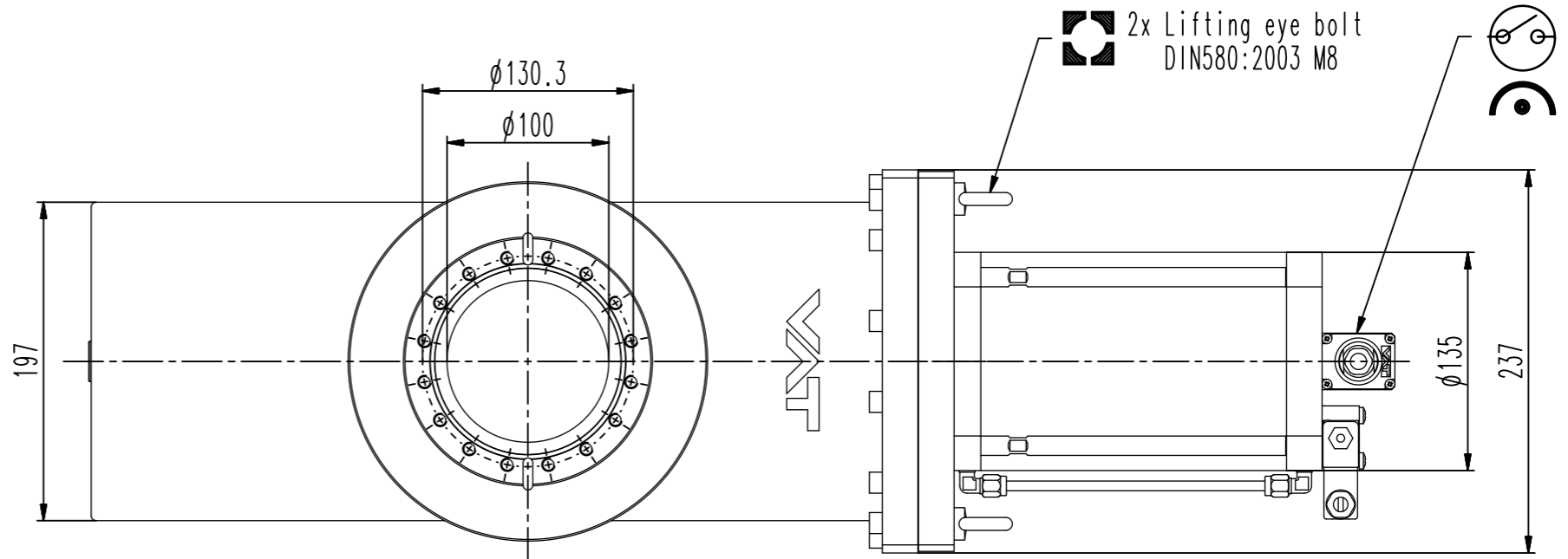
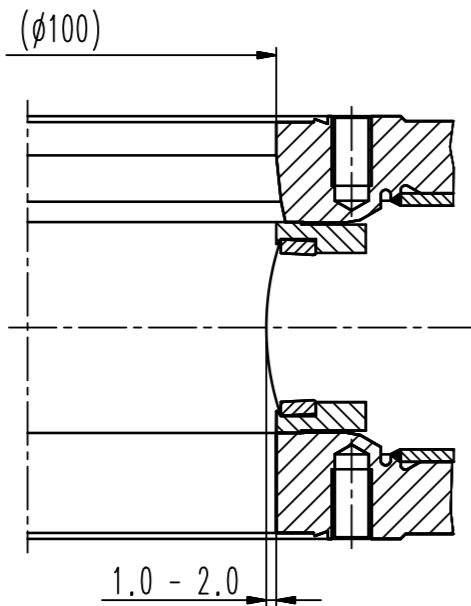


Detail X



RF-Passage



- Seat side
- Comp. air connection
- Electrical connection
- Leak detection port
- Mech. pos. indication
- Position indicator
- Required for dismantling
- Emergency actuation
- For attachment
- Bake-out area
- Differential pumping port

RF all-metal gate valve



VAT Vakuumventile AG

CH-9469 Haag, Switzerland
Tel ++41 81 7716161 Fax ++41 81 7714830

Rev.-Date: 24.09.15

Visa: MPA

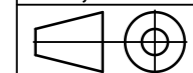
Series

472

Ordering No.

47240-CE74-0002

Projection E



DN

100

Flange

CF-F m

Dimensional Drawing

384163

Rev.

C