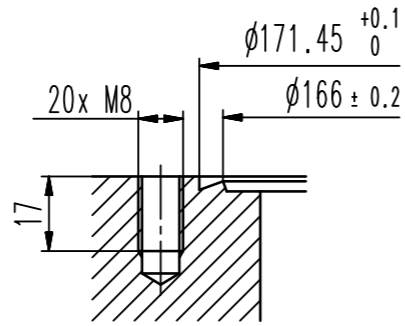
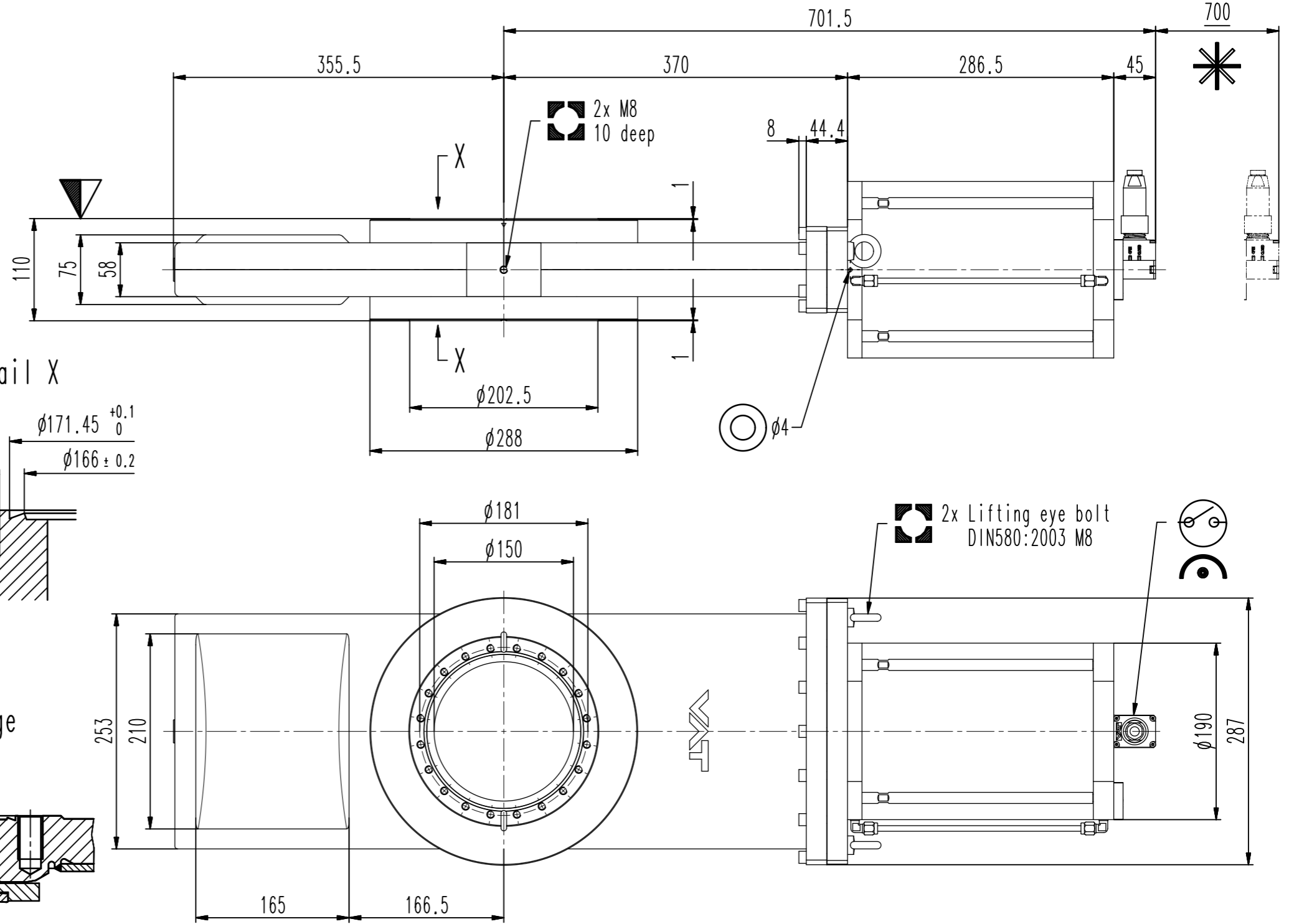
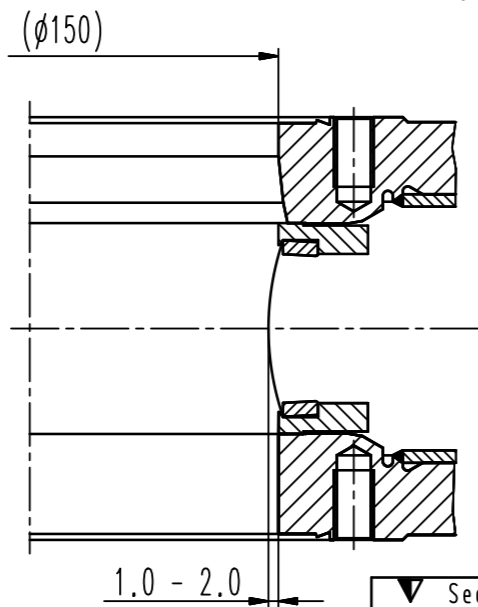


Detail X



RF-Passage



- ▼ Seat side
- Comp. air connection
- Electrical connection
- Leak detection port
- Mech. pos. indication
- Position indicator
- Required for dismantling
- Emergency actuation
- For attachment
- Bake-out area
- Differential pumping port

RF all-metal gate valve



VAT Vakuumentile AG

CH-9469 Haag, Switzerland
Tel ++41 81 7716161 Fax ++41 81 7714830

Rev.-Date: 25.04.19

Visa: MAT

Series	472	Ordering No.	47244-CE72-0001
Projection E	DN	Flange	
	160	CF-F m	
Dimensional Drawing	978673	Rev.	