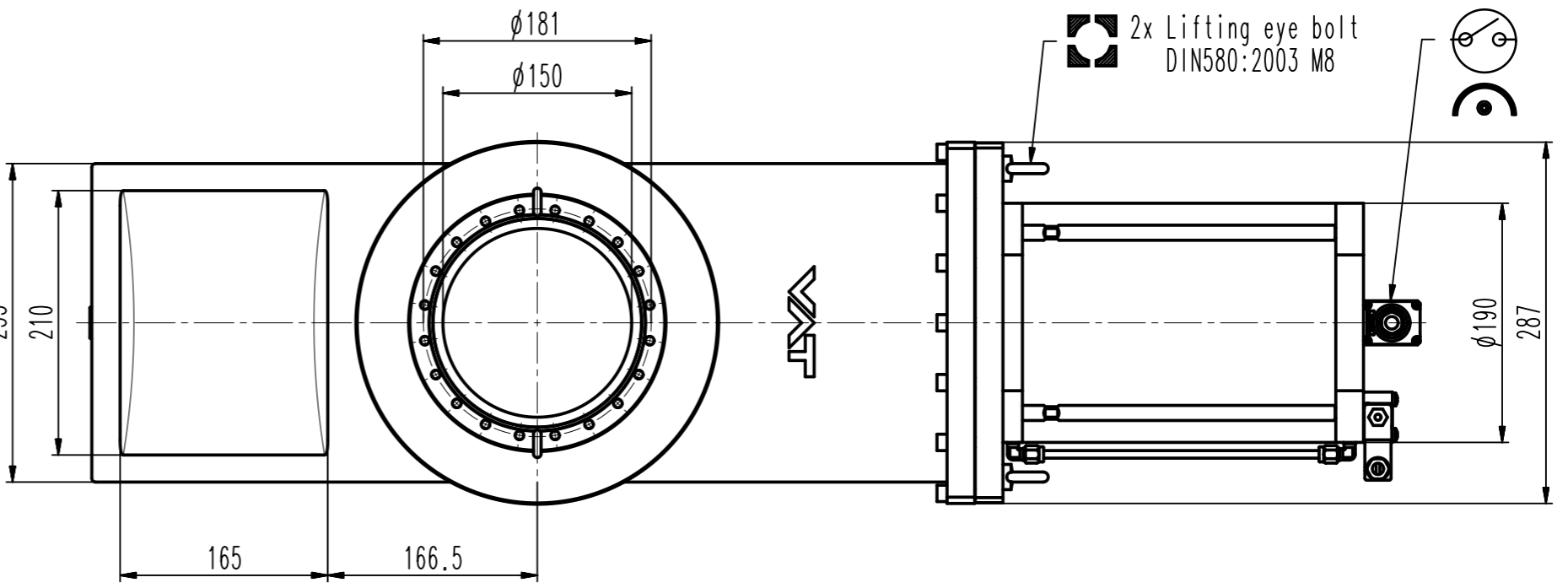
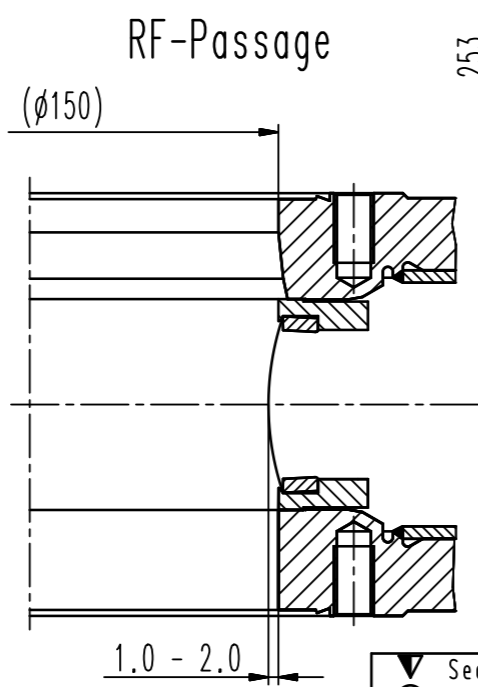


Detail X



- ▼ Seat side
- ⊕ Comp. air connection
- ⊖ Electrical connection
- ⊙ Leak detection port
- ⊕ Mech. pos. indication
- ⊖ Position indicator
- ⊕ Required for dismantling
- ⊖ Emergency actuation
- ⊕ For attachment
- ⊖ Bake-out area
- ⊕ Differential pumping port

RF all-metal gate valve

VAT VAT Vakuumventile AG
 CH-9469 Haag, Switzerland
 Tel ++41 81 7716161 Fax ++41 81 7714830

Rev.-Date: 08.03.16
 Visa: KEJ

| | | | |
|---------------------|--------|--------------|-----------------|
| Series | 472 | Ordering No. | 47244-CE74-0001 |
| Projection E | DN | Flange | |
| | 160 | CF-F m | |
| Dimensional Drawing | 834650 | Rev. | |