



VAT Vakuumventile AG  
CH-9469 Haag, Schweiz

## Product data sheet

**All-Metal Gate Valve, Series 48.1, DN 16 (ID  $\frac{5}{8}$ " )**

**OSL-Article No. 48124-CE24-0001**

### Description

Flange	DN 16 CF-F
Actuator	pneumatic double acting, with position indicator, without solenoid
Feedthrough	bellows

### Technical data

Leak rate	
- To the outside	$< 1 \cdot 10^{-10}$ mbar ls <sup>-1</sup>
- Seat	$< 1 \cdot 10^{-10}$ mbar ls <sup>-1</sup>
Molecular flow conductance	9 ls <sup>-1</sup>
Pressure range	UHV to 2 bar (abs)
Test pressure	1 bar
Differential pressure on the gate	
- in closing and opening direction	2 bar
Max. differential pressure at opening	
- in closing and opening direction	1 bar
Cycles until first service	20'000
Bake-out temperature	
- Valve	$\leq 300^{\circ}\text{C}$
- Actuator	$\leq 200^{\circ}\text{C}$ (for max. 100 h)
- Position indicator	$\leq 80^{\circ}\text{C}$
Heating and cooling rate	$\leq 80^{\circ}\text{C h}^{-1}$
Material	
- Body	1.4435, AISI 316 L
- Flange	1.4435, ESU, AISI 316 L ESR
- Gate	1.4435, AISI 316 L
- Mechanism (in contact with media)	1.4435, AISI 316 L
- Bellows	1.4435, AISI 316 L
Seal	
- Bonnet	metal
- Gate	metal
- Actuator	viton®
Mounting position	any

Created by: Ch. Bachmann	Release date: 16. February 1998	Page 1 of 3
Modified by: M. Greuter	Release date: 6. December 2011	<b>292873EB</b>



VAT Vakuumventile AG  
CH-9469 Haag, Schweiz

## Product data sheet

**All-Metal Gate Valve, Series 48.1, DN 16 (ID  $\frac{5}{8}$ " )**

**OSL-Article No. 48124-CE24-0001**

### Position indicator

- 1 switch for «open» and 1 switch for «close»
- Contact rating  $\leq 50$  VAC/DC ;  $\leq 1.2$  A
- 1 x 7 pole plug

### Radiation resistance

- Valve  $10^8$  Gy ( $10^{10}$  rad)
- Actuator  $10^5$  Gy ( $10^7$  rad)
- Position indicator  $10^5$  Gy ( $10^7$  rad)

Compressed air pressure min. - max.  
(overpressure)

4 - 8 bar / 55 - 110 psig

Volume of air cylinder

0.093 l / 0.0033 ft<sup>3</sup>

Compressed air connection

R  $\frac{1}{8}$ " (USA:  $\frac{1}{8}$ " NPT)

Action at compressed air failure

- Valve closed no change
- Valve open undefined

Closing time

1 s

Opening time

1 s

Weight

3.6 kg / 8 lbs

## Dimensions

Dimensional drawing No. 98731

Created by: Ch. Bachmann	Release date: 16.February 1998	Page 2 of 3
Modified by: M. Greuter	Release date: 6.December 2011	<b>292873EB</b>



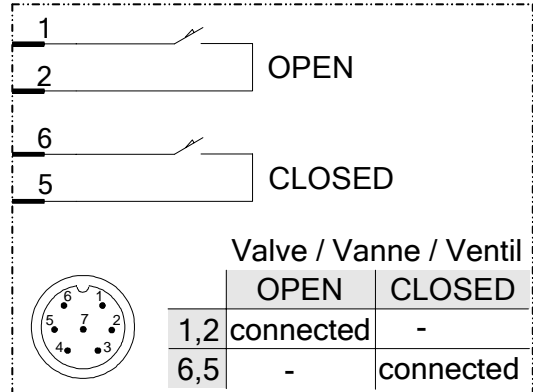
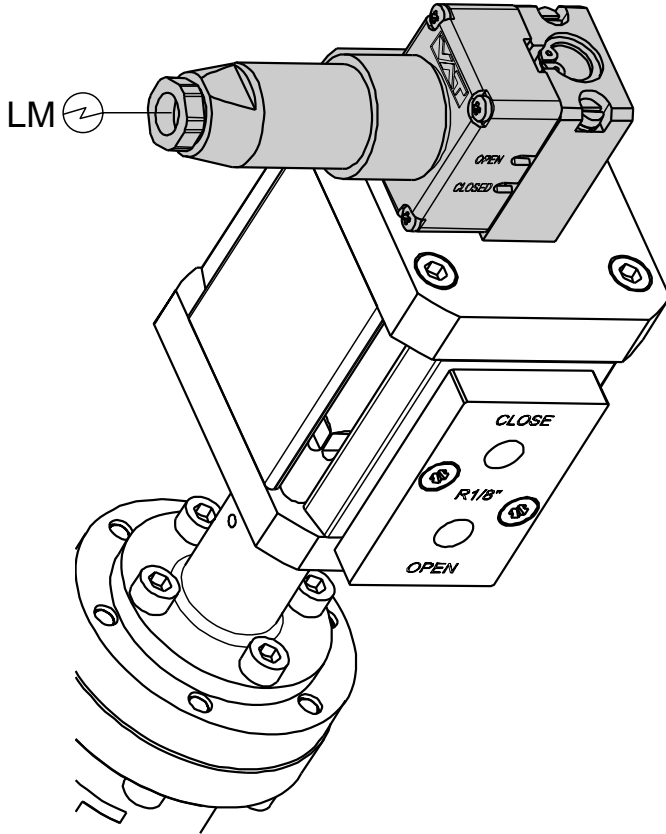
VAT Vakuumventile AG  
CH-9469 Haag, Schweiz

## Product data sheet

All-Metal Gate Valve, Series 48.1, DN 16 (ID  $\frac{5}{8}$ " )

OSL-Article No. 48124-CE24-0001

### Wiring diagram



⊕ LM Electrical connection for position indicator