



VAT Vakuumventile AG  
CH-9469 Haag, Schweiz

## Product data sheet

**All-Metal Gate Valve, Series 48.1, DN 40 (ID 1 1/2")**

**Ordering No. 48132-CE08-0002**

### Description

Flange	DN 40 CF-F
Actuator	manual actuator with position indicator
Feedthrough	bellows

### Technical data

Leak rate	
- To the outside	$< 1 \cdot 10^{-10} \text{ mbar ls}^{-1}$
- Seat	$< 1 \cdot 10^{-10} \text{ mbar ls}^{-1}$
Molecular flow conductance	$100 \text{ ls}^{-1}$
Pressure range	XHV to 2 bar (abs)
Test pressure	1 bar
Differential pressure on the gate	
- in closing and opening direction	2 bar
Max. differential pressure at opening	
- in closing and opening direction	1 bar
Cycles until first service	20'000
Bake-out temperature	
- Valve	300°C
- Actuator	140°C
- Position indicator	80°C
Heating and cooling rate	$50^\circ\text{C h}^{-1}$
Material	
- Body	1.4435, AISI 316 L
- Flange	1.4435 ESU, AISI 316 L ESR
- Gate	1.4435, AISI 316 L
- Mechanism (in contact with media)	1.4435, AISI 316 L
- Bellows	1.4435, AISI 316 L
Seal	
- Bonnet	metal
- Gate	metal
Mounting position	any
Position indicator	
- 1 switch for «open» and 1 switch for «close»	
- Contact rating	$\leq 50 \text{ VAC/DC} ; \leq 1.2 \text{ A}$
- 1 x 7 pole plug	
Radiation resistance	
- Valve	$10^8 \text{ Gy} (10^{10} \text{ rad})$
- Actuator	$10^5 \text{ Gy} (10^7 \text{ rad})$
- Position indicator	$10^5 \text{ Gy} (10^7 \text{ rad})$
Turns per stroke	21
Weight	5.5 kg / 12 lbs

Created by: René Brulc	Release date: 05.06.2013	Page 1 of 2
Modified by:	Release date:	<b>602757EA</b>



VAT Vakuumventile AG  
CH-9469 Haag, Schweiz

## Product data sheet

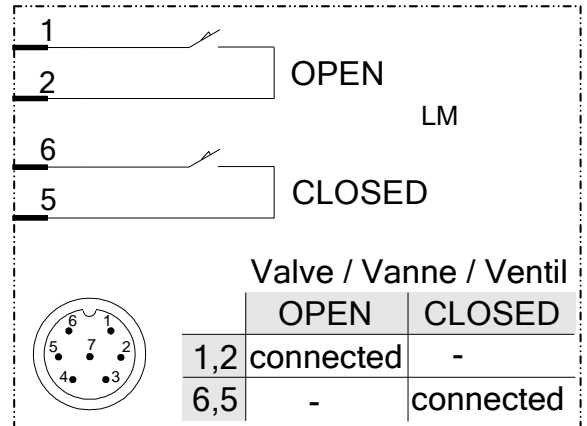
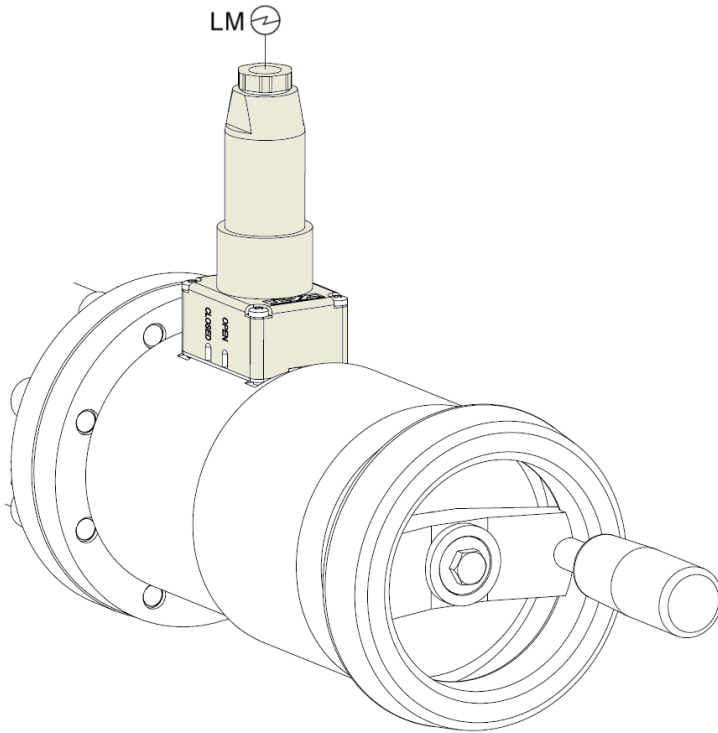
All-Metal Gate Valve, Series 48.1, DN 40 (ID 1 1/2")

Ordering No. 48132-CE08-0002

### Dimensions

Dimensional drawing No 204124

### Wiring diagram:



⊕ LM Electrical connection for position indicator

Created by: René Brulc	Release date: 05.06.2013	Page 2 of 2
Modified by:	Release date:	<b>602757EA</b>