



VAT Vakuumventile AG
CH-9469 Haag, Schweiz

Product data sheet

All-metal gate valve, Series 481, DN 40 (ID 1½")

Ordering No. 48132-CE24-0002

Description

Flange		DN 40 CF-F
Actuator		Pneumatic double acting - without solenoid valve - with position indicator
Feed through		Bellows
Option	=	- Standard

Technical data

Leak rate	- Valve body - Valve seat	$< 1 \cdot 10^{-10}$ mbar ls ⁻¹ $< 1 \cdot 10^{-10}$ mbar ls ⁻¹
Pressure range		XUHV to 2 bar (abs)
Test pressure		1 bar
Differential pressure on the gate		≤ 2 bar
Differential pressure at opening		≤ 1bar
Conductance (molecular flow)		100 ls ⁻¹
Cycles until first service		20 000
Bake-out temperature (Maximum values: depending on operating conditions and sealing materials)	- Valve body - Actuator - Position indicator	≤ 300 °C ≤ 200 °C (for max. 100h) ≤ 80 °C
Heating and cooling rate		≤ 50 °C h ⁻¹
Material	- Valve body - Flange - Gate - Mechanism - Bellows	1.4435, AISI 316 L 1.4435 ESU, AISI 316 L ESR 1.4435, AISI 316 L 1.4435, AISI 316 L 1.4435, AISI 316 L
Seal	- Bonnet - Gate - Actuator	metal, silver plated metal, silver plated FKM (Viton®)
Mounting position		any
Radiation resistance	- Valve body - Actuator - Position indicators	10 ⁸ Gy (10 ¹⁰ rad) 10 ⁵ Gy (10 ⁷ rad) 10 ⁵ Gy (10 ⁷ rad)
Volume of pneumatic actuator		0.27 l / 0.01 ft ³
Compressed air min. – max. overpressure		4 - 8 bar / 58 - 116 psig
Compressed air connections		R ½" (USA: ½" NPT)
Actuation time (valid for RT, Ø6mm tubing at 4 bar with flow rate of 400 l/min)	- Closing - Opening	≤ 1.5 sec ≤ 1.5 sec

Created by: Martin Greuter	Release date: 30. August 2011	1 of 2
Modified by: Martin Greuter	Release date: 04. February 2014	291183EB



VAT Vakuumventile AG
CH-9469 Haag, Schweiz

Product data sheet

All-metal gate valve, Series 481, DN 40 (ID 1½")

Ordering No. 48132-CE24-0002

Weight

7.2 kg / 16 lbs

Behavior in case of
compressed air pressure
drop

- Valve closed
- Valve open

Valve remains in closed position
Undefined

Behavior in case of power
failure

Depending on control

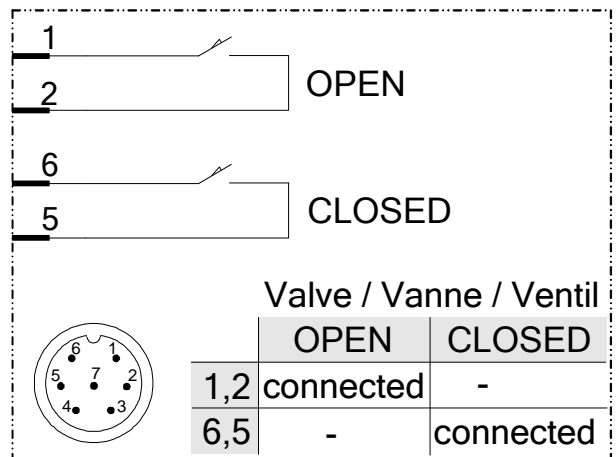
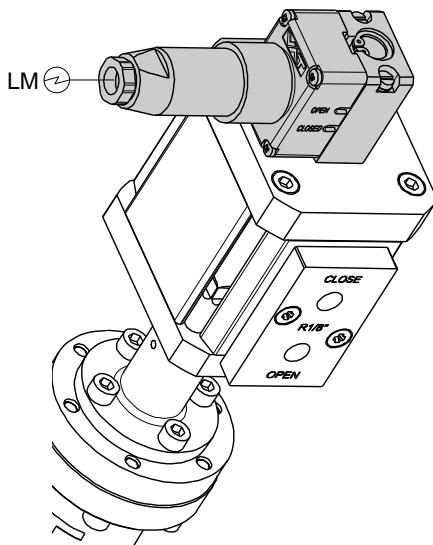
Related documents

Dimensional drawing No. 82499A

Electrical connections

Position indicator

Type micro switch
Voltage ≤ 50 V AC / DC
Current max. ≤ 1.2 A



Wiring diagram