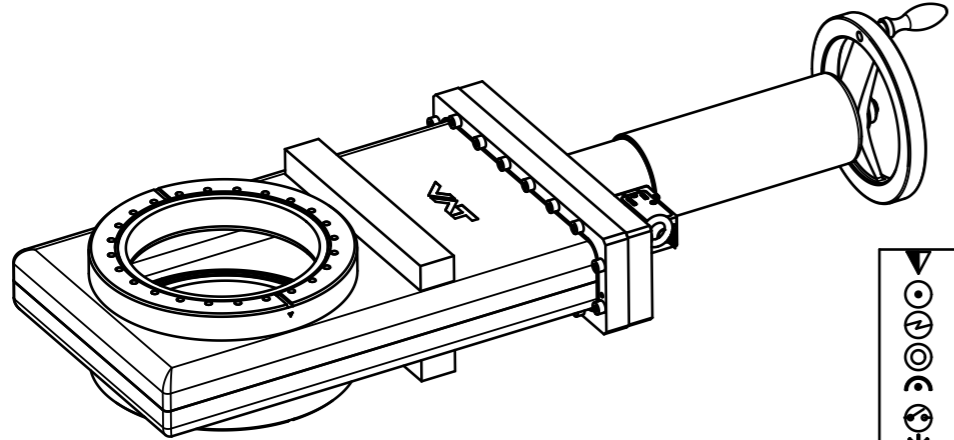
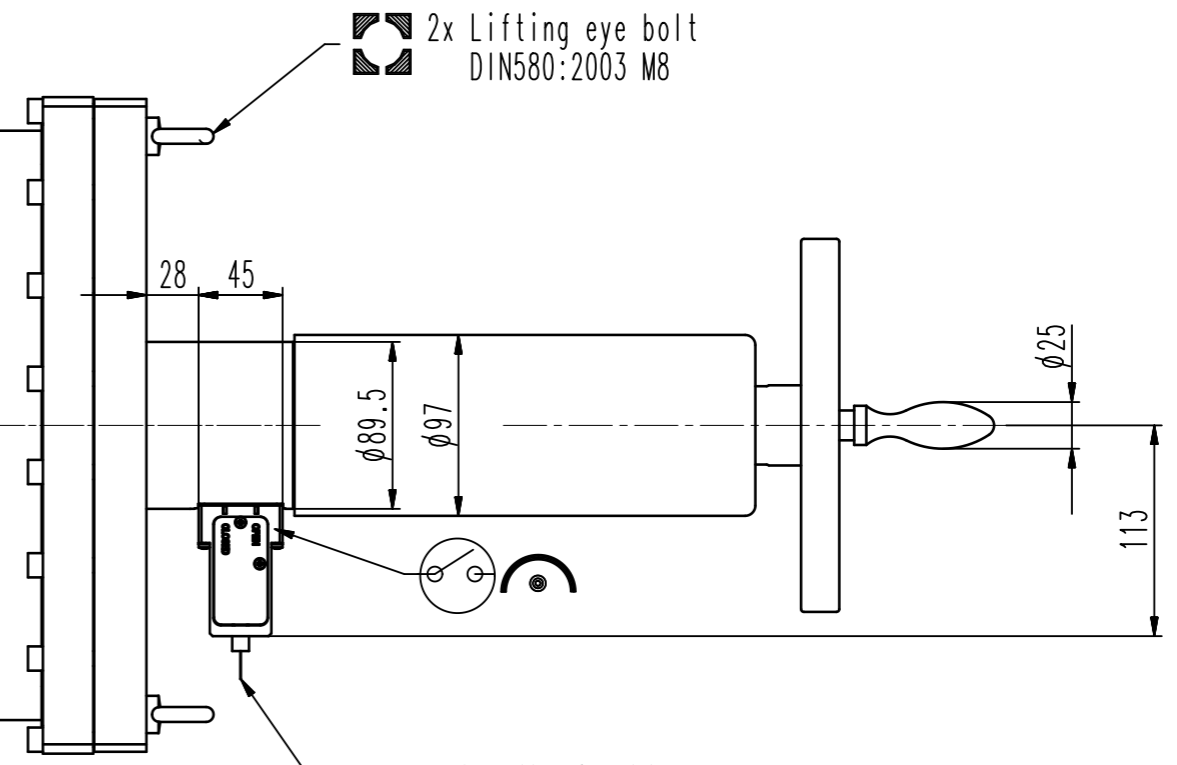
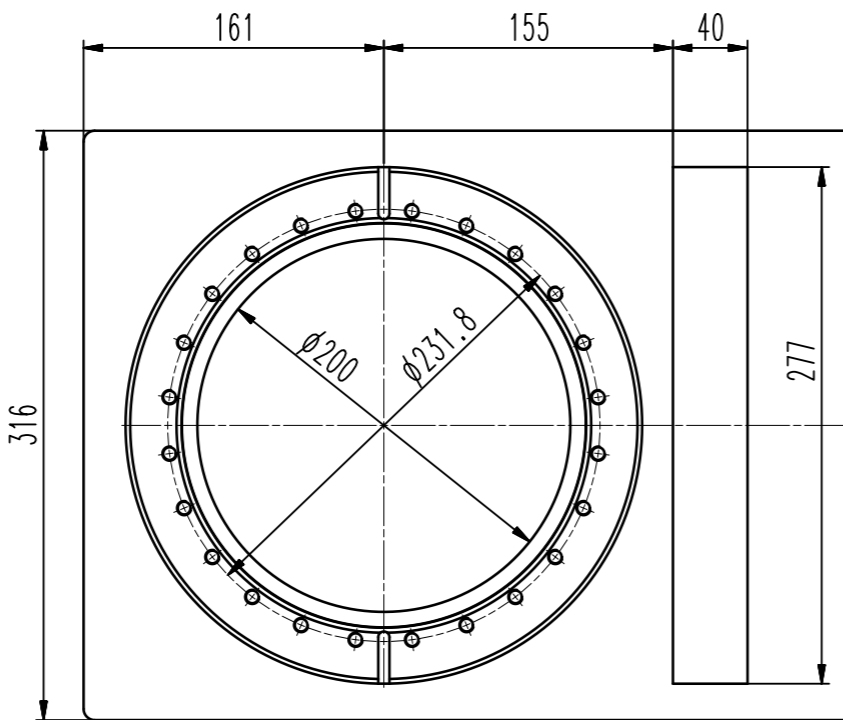
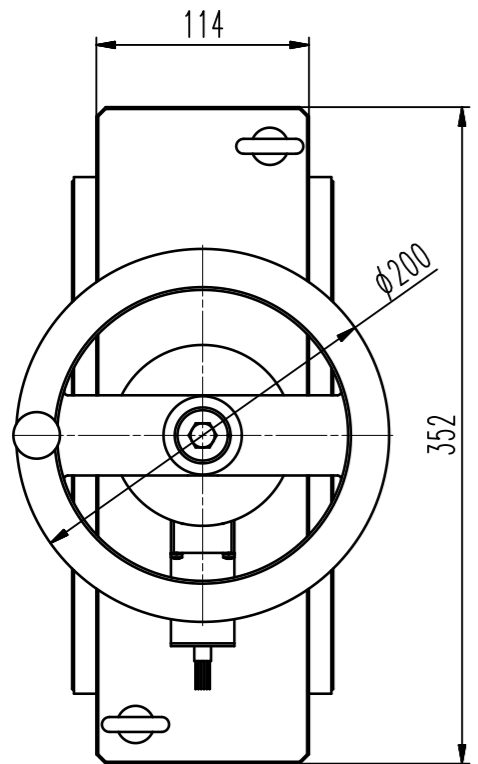
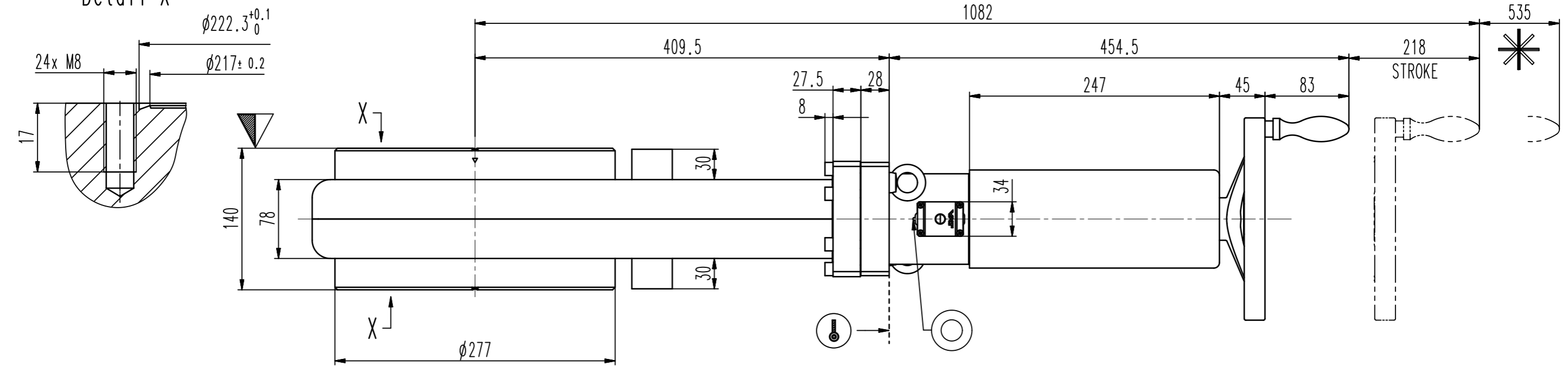


This drawing is the property of VAT.

Revision

Customer number

Detail X



- ▼ Seat side
- ⊙ Comp. air connection
- ⊙ Electrical connection
- ⊙ Leak detection port
- ⊙ Mech. pos. indication
- ⊙ Position indicator
- ⊙ Required for dismantling
- ⊙ Emergency actuation
- ⊙ For attachment
- ⊙ Bake-out area
- ⊙ Differential pumping port

All-metal gate valve



VAT Vakuumentile AG
 CH-9469 Haag, Switzerland
 Tel ++41 81 7716161 Fax ++41 81 7714830

Rev.-Date: 01.03.19
 Visa: MAT

Series	481	Ordering No.	48146-CE05-0004
Projection E	DN	Flange	
	200	CF-F m	
Dimensional Drawing	971746	Rev.	