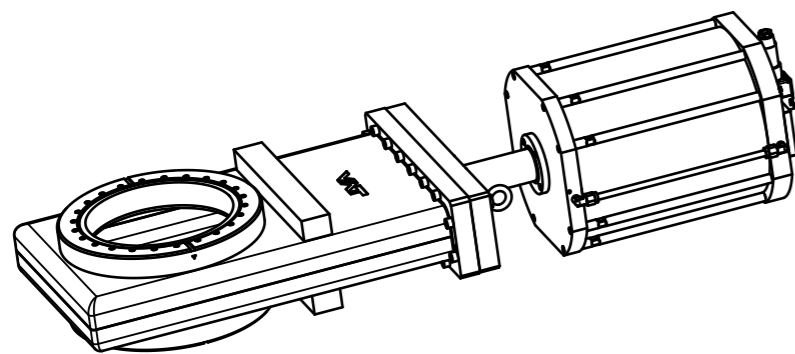
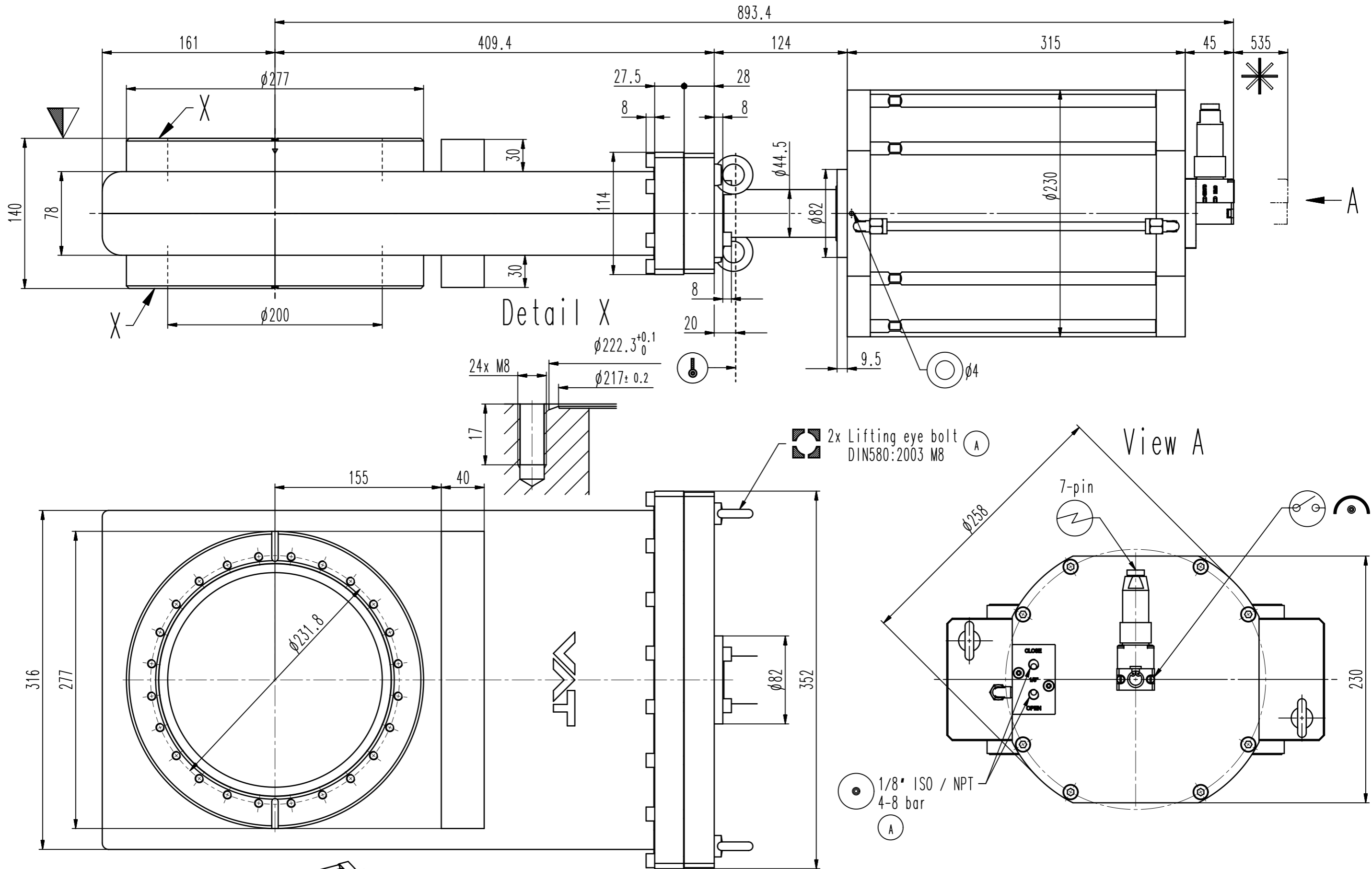


This drawing is the property of VAT.

Revision

Customer number



- ▽ Seat side
- ⊙ Comp. air connection
- ⊙ Electrical connection
- ⊙ Leak detection port
- ⊙ Mech. pos. indication
- ⊙ Position indicator
- ⊙ Required for dismantling
- ⊙ Emergency actuation
- ⊙ For attachment
- ⊙ Bake-out area
- ⊙ Differential pumping port

All-metal gate valve



VAT Vakuumventile AG

CH-9469 Haag, Switzerland  
Tel ++41 81 7716161 Fax ++41 81 7714830

Rev.-Date: 06.07.18

Visa: WFA

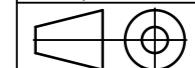
Series

481

Ordering No.

48146-CE24-0003

Projection E



DN

200

Flange

CF-F m

Dimensional Drawing

435003

Rev.

A

VAT/DA