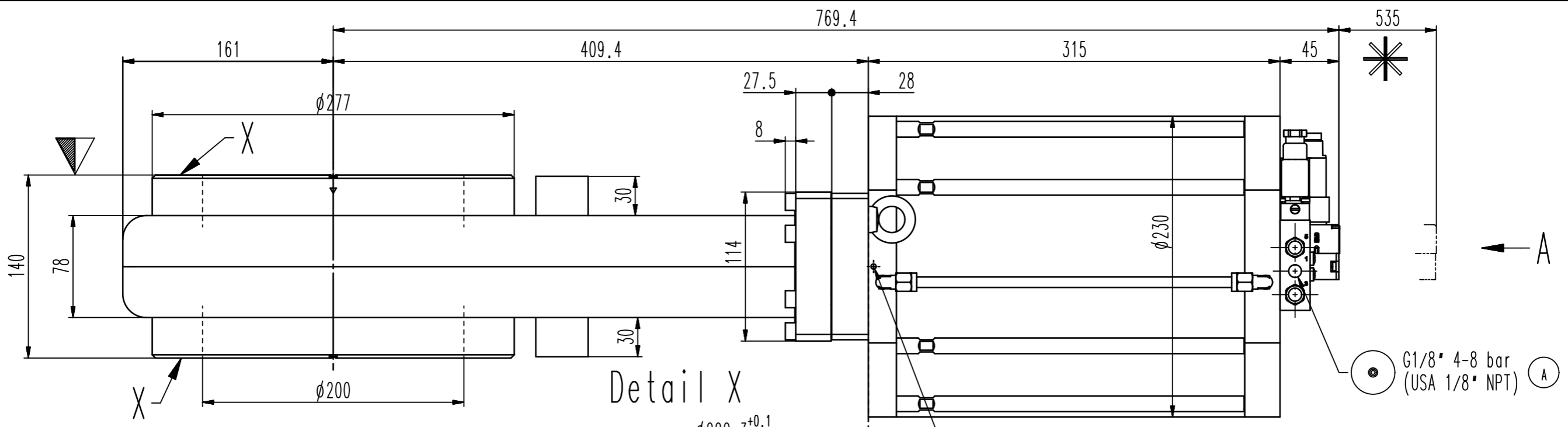


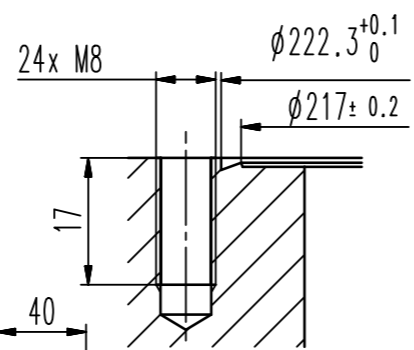
This drawing is the property of VAT.

Revision

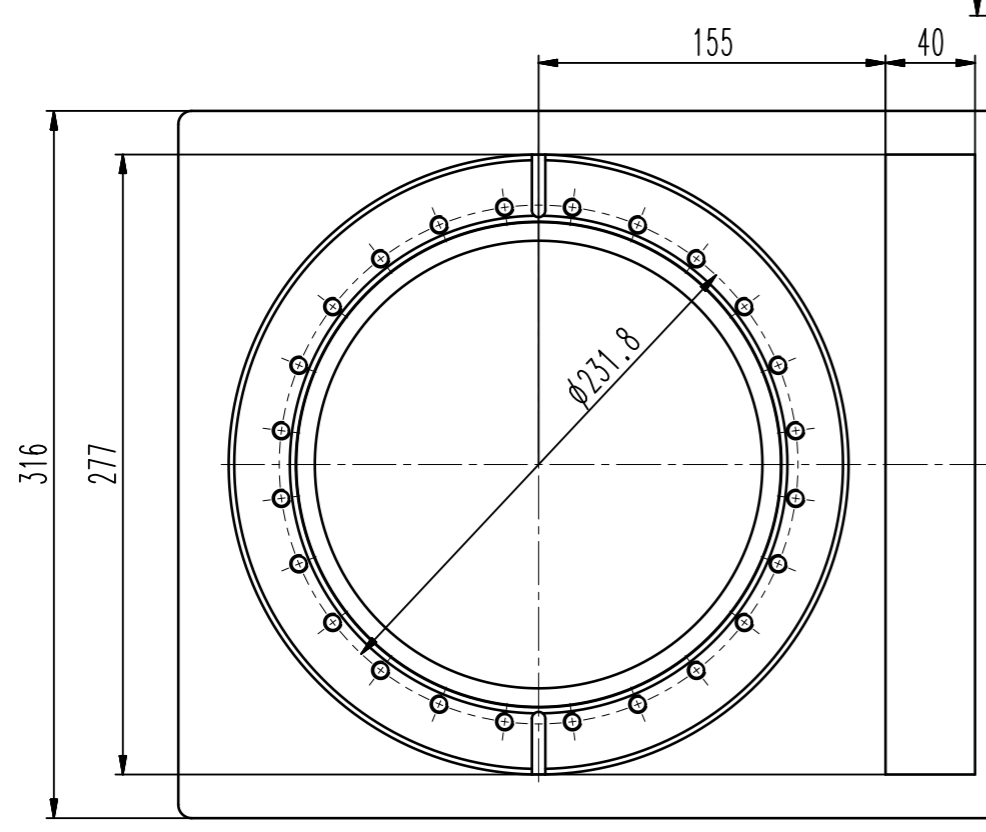
Customer number



Detail X



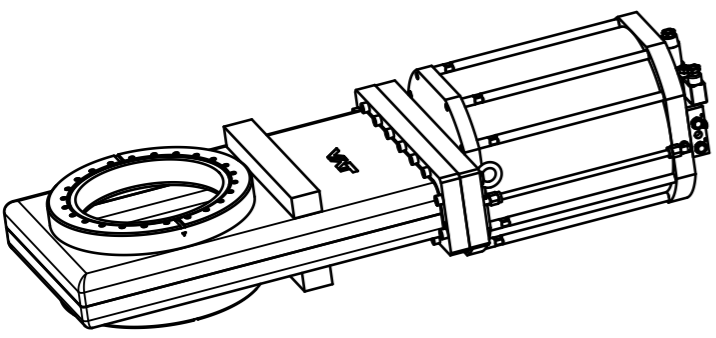
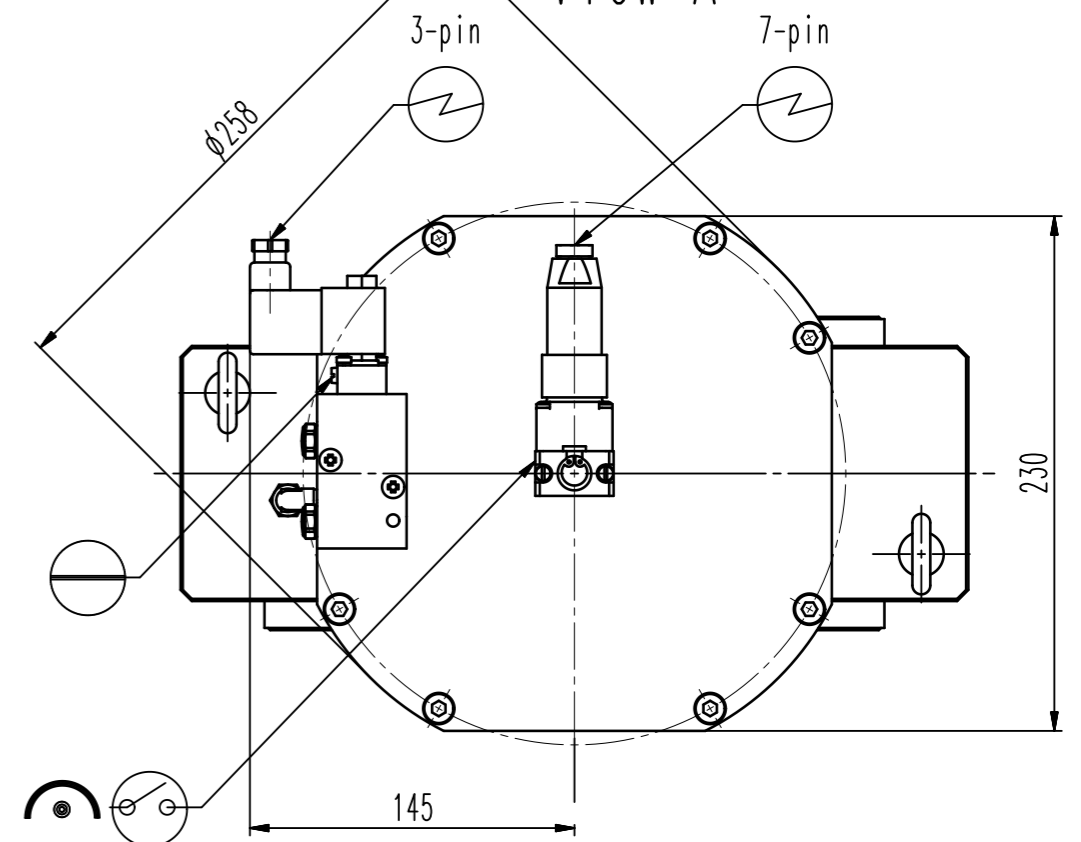
G1/8" 4-8 bar
(USA 1/8" NPT) (A)



$\phi 4$

2x Lifting eye bolt
DIN580:2003 M8 (A)

View A



- ▼ Seat side
- ⊙ Comp. air connection
- ⊙ Electrical connection
- ⊙ Leak detection port
- ⊙ Mech. pos. indication
- ⊙ Position indicator
- ⊙ Required for dismantling
- ⊙ Emergency actuation
- ⊙ For attachment
- ⊙ Bake-out area
- ⊙ Differential pumping port

All-metal gate valve



VAT Vakuumventile AG
CH-9469 Haag, Switzerland
Tel ++41 81 7716161 Fax ++41 81 7714830

Rev.-Date: 06.07.18
Visa: WFA

| | | | |
|---------------------|-----|--------------|-----------------|
| Series | 481 | Ordering No. | 48146-CE74-0003 |
| Projection E | DN | Flange | CF-F m |
| | 200 | | |
| Dimensional Drawing | | 451853 | Rev. A |