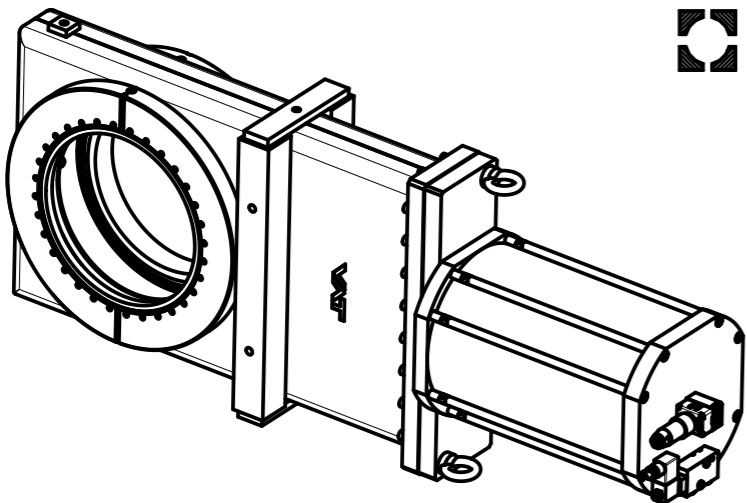
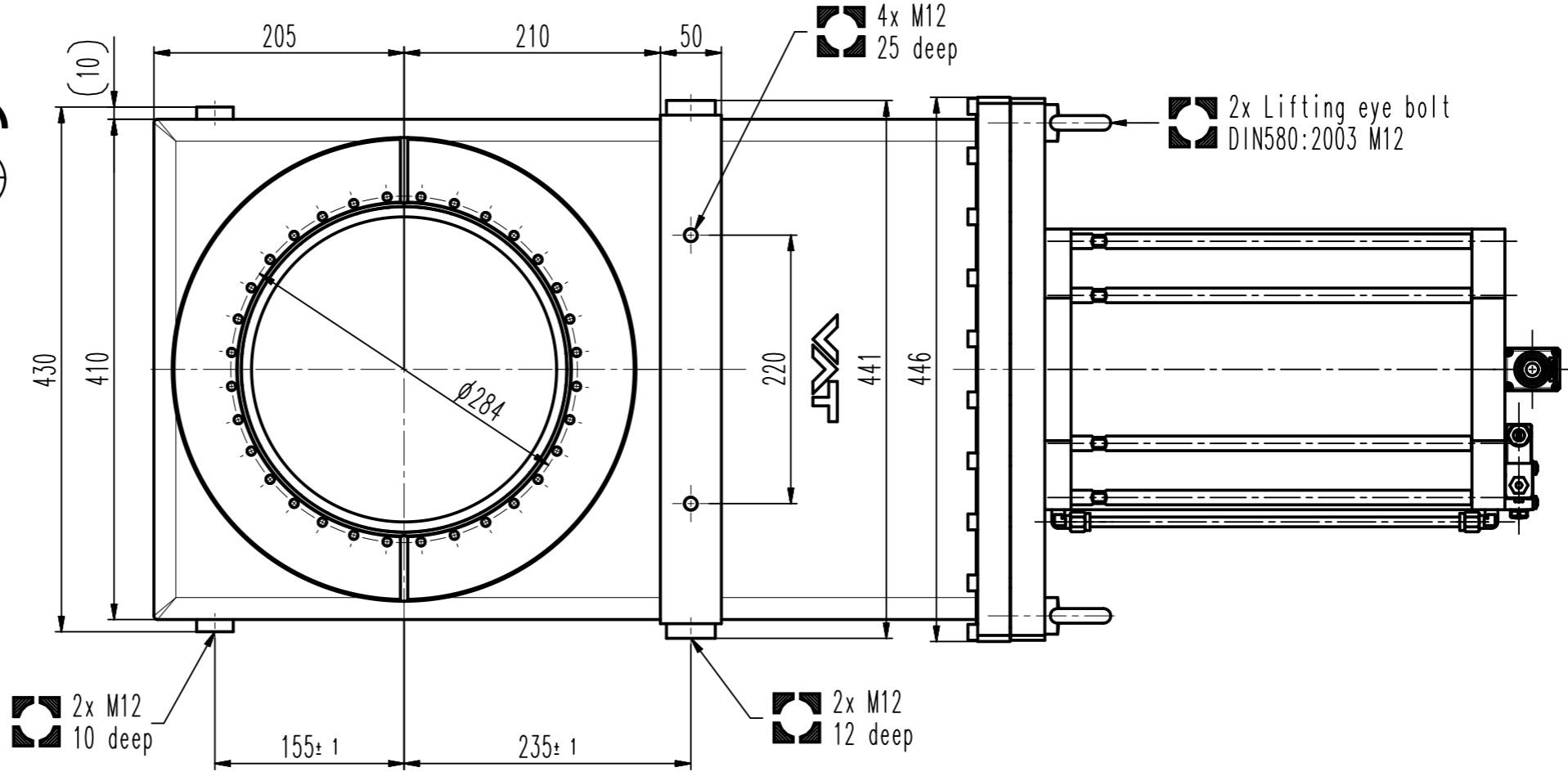
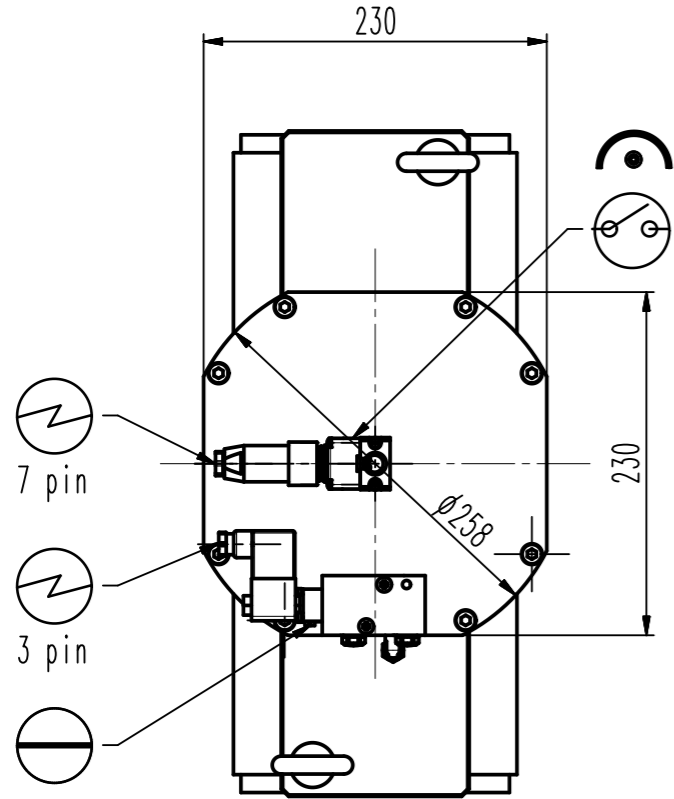


R1/8" ISO / NPT  
4-8 bar



- ▼ Seat side
- ⊕ Comp. air connection
- ⊖ Electrical connection
- ⊙ Leak detection port
- ⊕ Mech. pos. indication
- ⊖ Position indicator
- ⊕ Required for dismantling
- ⊖ Emergency actuation
- ⊕ For attachment
- ⊖ Bake-out area
- ⊕ Differential pumping port

### All-metal gate valve



VAT Vakuumventile AG

CH-9469 Haag, Switzerland  
Tel ++41 81 7716161 Fax ++41 81 7714830

Rev.-Date: 22.12.15

Visa: SCB

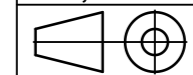
Series

481

Ordering No.

48148-CE74-0001

Projection E



DN

250

Flange

CF-F m

Dimensional Drawing

216811

Rev.

E