



VAT Vakuumventile AG  
CH-9469 Haag, Schweiz

## Product data sheet

**All-Metal Gate Valve, Series 48.2, DN 63 (ID 2 1/2")**

**OSL-Article No. 48236-CE24-0001**

### Description

Flange	DN 63 CF-F
Actuator	Pneumatic actuator double acting with position indicator without solenoid valve
Feedthrough	bellows

### Technical data

Leak rate	
- To the outside	$< 1 \cdot 10^{-10} \text{ mbar ls}^{-1}$
- Seat	$< 1 \cdot 10^{-10} \text{ mbar ls}^{-1}$
Molecular flow conductance	400 $\text{ls}^{-1}$
Pressure range	XUHV to 2 bar (abs)
Test pressure	1 bar
Differential pressure on the gate	
- in closing and opening direction	2 bar
Max. differential pressure at opening	
- in closing and opening direction	500 mbar, 1 bar with reduced cycle life
Cycles until first service	20'000
Bake-out temperature	
- Valve	$\leq 300^{\circ}\text{C}$
- Actuator	$\leq 200^{\circ}\text{C}$ (for max.100h)
- Position indicators	$\leq 80^{\circ}\text{C}$
Heating and cooling rate	$\leq 50^{\circ}\text{C h}^{-1}$
Material	
- Body	1.4435, AISI 316 L
- Flange	1.4435 ESU, AISI 316 L ESR
- Gate	1.4435, AISI 316 L
- Mechanism (in contact with media)	1.4435, AISI 316 L
- Bellows	1.4435, AISI 316 L
Seal	
- Bonnet	metal
- Gate	metal
- Actuator	Viton <sup>®</sup>
Mounting position	any

Created by: M. Greuter	Release date: 1. September 2011	Page 1 of 3
Modified by::	Release date:	<b>291215EA</b>



VAT Vakuumventile AG  
CH-9469 Haag, Schweiz

## Product data sheet

**All-Metal Gate Valve, Series 48.2, DN 63 (ID 2 1/2")**

**OSL-Article No. 48236-CE24-0001**

### Position indicator

- 1 switch for «open» and 1 switch for «close»
- Contact rating  $\leq 50$  VAC/DC ;  $\leq 1.2$  A
- 1 x 7 pole plug

### Radiation resistance

- Valve  $10^8$  Gy ( $10^{10}$  rad)
- Actuator  $10^5$  Gy ( $10^7$  rad)
- Position indicator  $10^5$  Gy ( $10^7$  rad)

Compressed air pressure min. - max.

4 - 8 bar / 55 - 110 psig (overpressure)

Volume of air cylinder

0,5 l / 0,018 ft<sup>3</sup>

Compressed air connection

R 1/8" (USA: 1/8" NPT)

### Action at power failure

- Valve closed depends on valve control
- Valve open depends on valve control

### Action at compressed air failure

- Valve closed no change
- Valve open undefined

Closing time

2 s

Opening time

2 s

Weight

17,3 kg / 38 lbs

## Dimensions

Dimensional drawing No. 221484

## Option

N/A

Created by: M. Greuter	Release date: 1. September 2011	Page 2 of 3
Modified by::	Release date:	<b>291215EA</b>



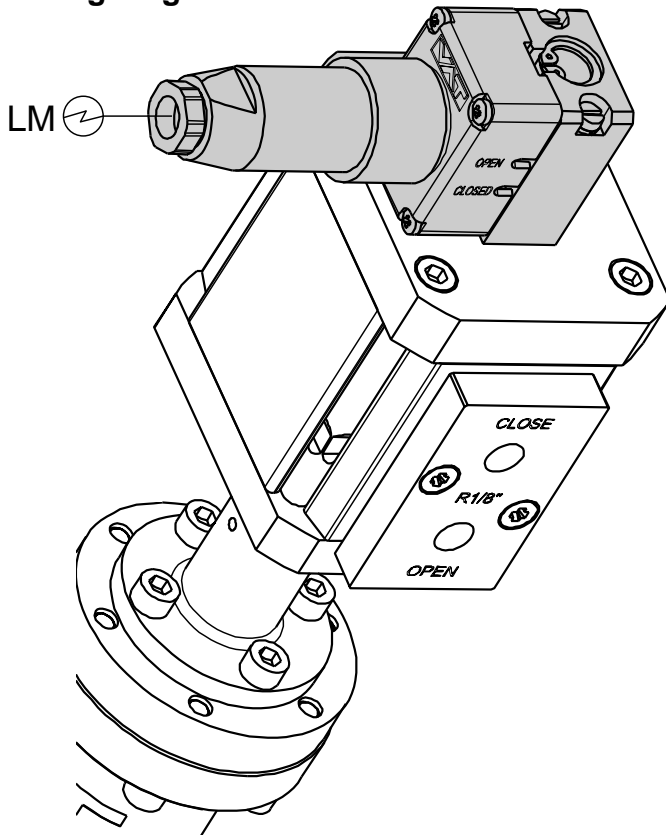
VAT Vakuumventile AG  
CH-9469 Haag, Schweiz

## Product data sheet

All-Metal Gate Valve, Series 48.2, DN 63 (ID 2 1/2")

OSL-Article No. 48236-CE24-0001

### Wiring diagram



⊕ LM Electrical connection for position indicator

