



VAT Vakuumventile AG
CH-9469 Haag, Schweiz

Product data sheet

All-Metal Gate Valve, Series 48.2, DN 63 (ID 2 1/2")

OSL-Article No. 48236-CE72-0001

Description

Flange	DN 63 CF-F
Actuator	compact, pneumatic double acting, with position indicator, without solenoid
Feedthrough	bellows

Technical data

Leak rate	
- To the outside	$< 1 \cdot 10^{-10} \text{ mbar ls}^{-1}$
- Seat	$< 1 \cdot 10^{-10} \text{ mbar ls}^{-1}$
Molecular flow conductance	400 ls ⁻¹
Pressure range	XUHV to 2 bar (abs)
Test pressure	1 bar
Differential pressure on the gate	
- in closing and opening direction	2 bar
Max. differential pressure at opening	
- in closing and opening direction	500 mbar, 1 bar with reduced cycle life
Cycles until first service	20'000
Bake-out temperature	
- Valve	≤ 300°C
- Actuator	≤ 200°C (for max. 100h)
- Position indicators	≤ 80°C
Heating and cooling rate	50°C h ⁻¹
Material	
- Body	1.4435, AISI 316 L
- Flange	1.4435 ESU, AISI 316 L ESR
- Gate	1.4435, AISI 316 L
- Mechanism (in contact with media)	1.4435, AISI 316 L
- Bellows	1.4435, AISI 316 L
Seal	
- Bonnet	metal
- Gate	metal
- Actuator	Viton®
Mounting position	any

Created by: Kurt Sonderegger	Release date: 24.03.2006	Page 1 of 3
Modified by: Martin Greuter	Release date: 25. November 2011	267133EC



VAT Vakuumventile AG
CH-9469 Haag, Schweiz

Product data sheet

All-Metal Gate Valve, Series 48.2, DN 63 (ID 2 1/2")

OSL-Article No. 48236-CE72-0001

Position indicator

- 1 switch for «open» and 1 switch for «close»
- Contact rating
- 1 x 7 pole plug

≤ 50 V AC / DC ; ≤1.2 A

Radiation resistance

- Valve
- Actuator
- Position indicator

10⁸ Gy (10¹⁰ rad)

10⁵ Gy (10⁷ rad)

10⁵ Gy (10⁷ rad)

Compressed air pressure min. - max.

4 - 8 bar / 55 - 110 psig (overpressure)

Volume of air cylinder

0,52 l / 0,019 ft³

Compressed air connection

R 1/8" (USA: 1/8" NPT)

Action at compressed air failure

- Valve closed
- Valve open

no change

undefined

Weight

17,0 kg / 36 lbs

Dimensions

Dimensional drawing No. 234018

Created by: Kurt Sonderegger	Release date: 24.03.2006	Page 2 of 3
Modified by: Martin Greuter	Release date: 25. November 2011	267133EC



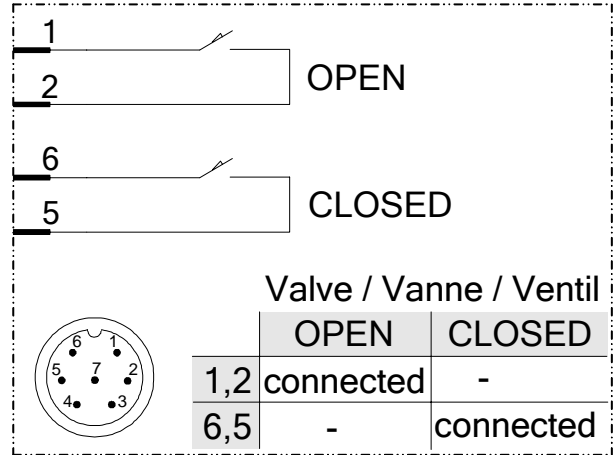
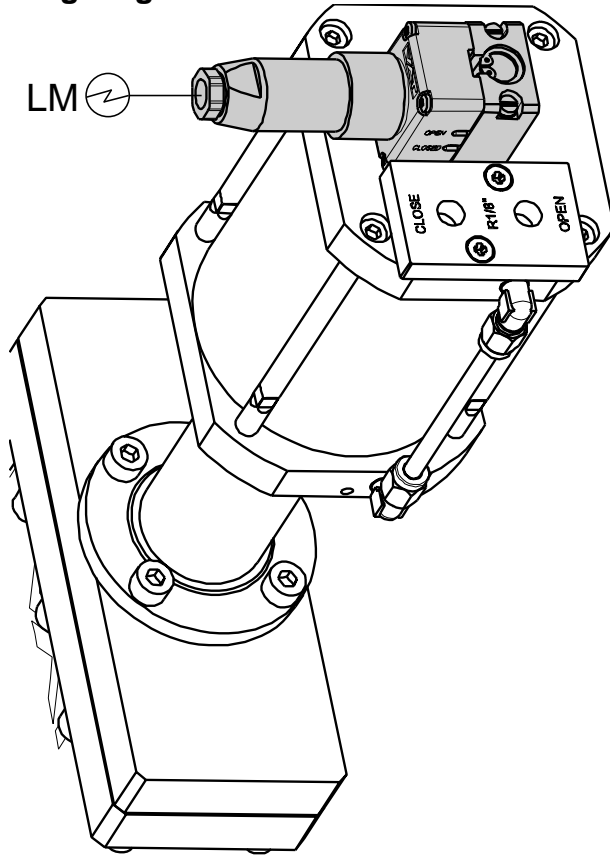
VAT Vakuumventile AG
CH-9469 Haag, Schweiz

Product data sheet

All-Metal Gate Valve, Series 48.2, DN 63 (ID 2 1/2")

OSL-Article No. 48236-CE72-0001

Wiring diagram



⊖ LM Electrical connection for position indicator