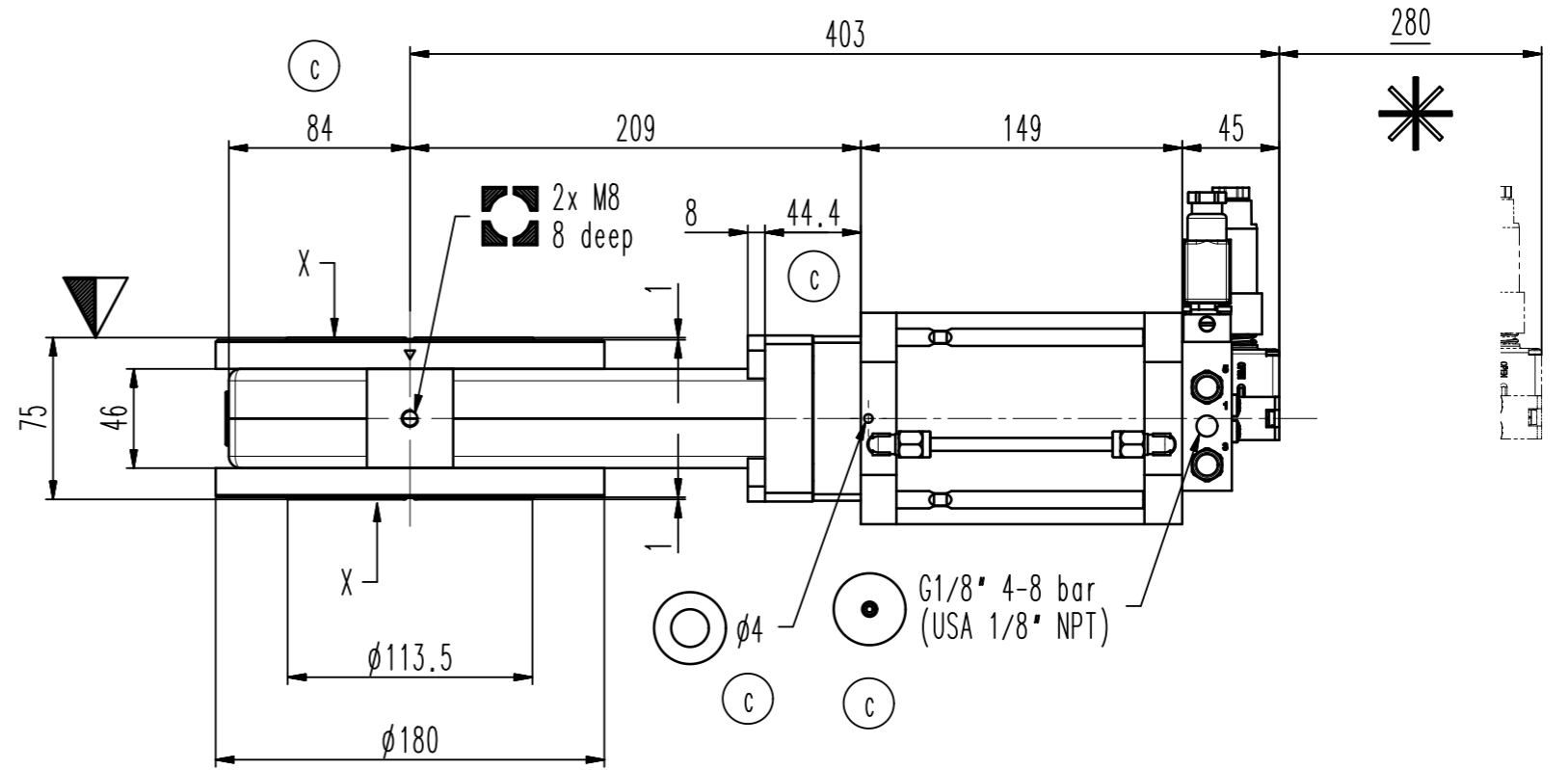
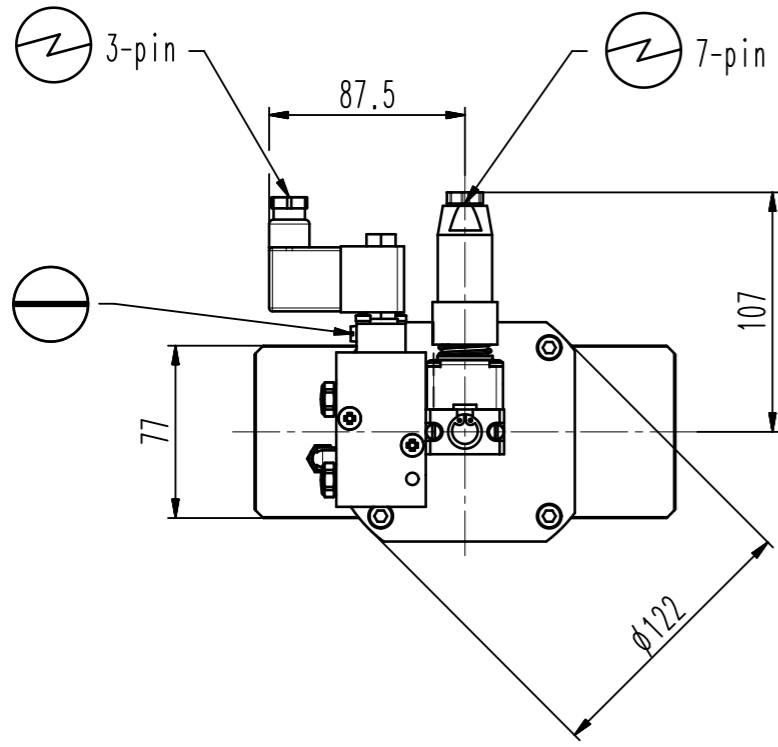


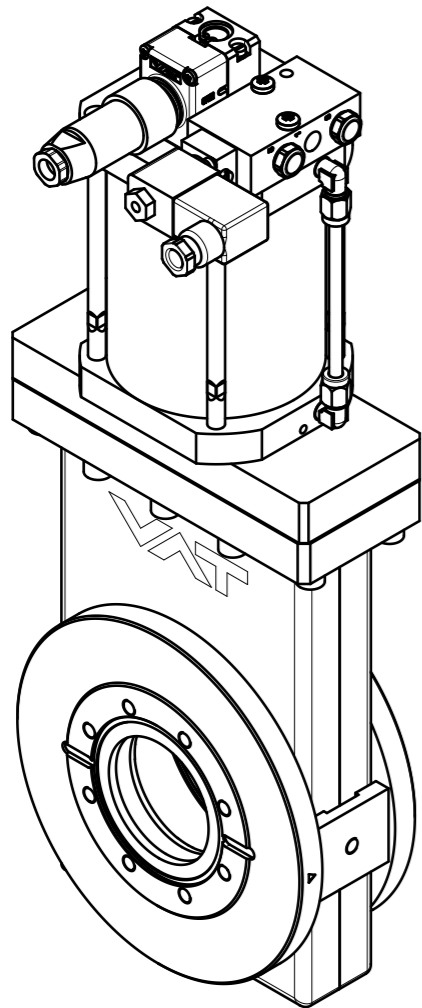
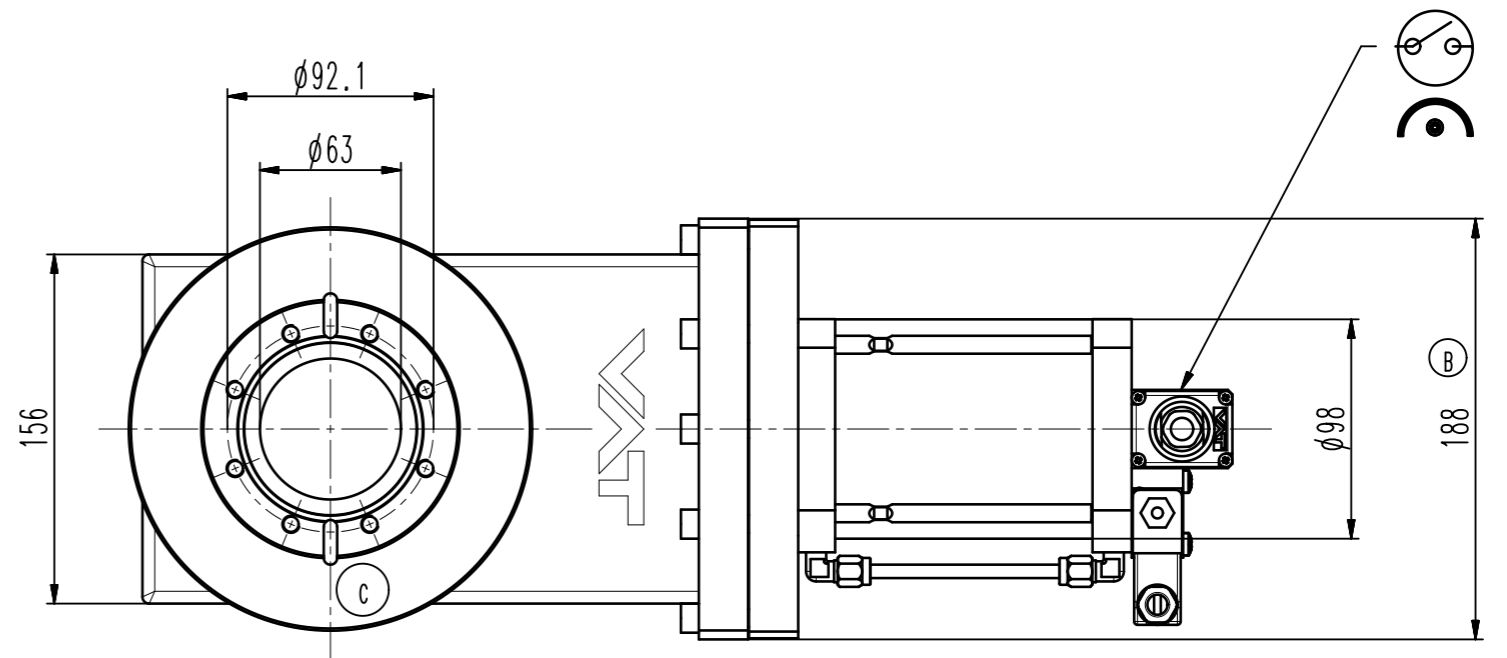
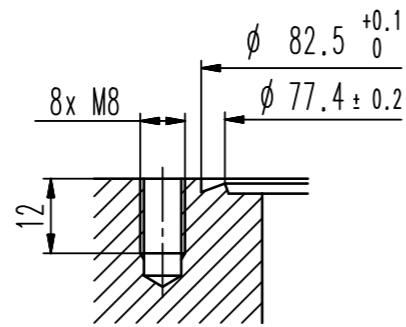
This drawing is the property of VAT.

Revision

Customer number



Detail X



- ▼ Seat side
- ⊙ Comp. air connection
- ⊙ Electrical connection
- ⊙ Leak detection port
- ⊙ Mech. pos. indication
- ⊙ Position indicator
- ⊙ Required for dismantling
- ⊙ Emergency actuation
- ⊙ For attachment
- ⊙ Bake-out area
- ⊙ Differential pumping port

All-metal gate valve



VAT Vakuumventile AG

CH-9469 Haag, Switzerland
Tel ++41 81 7716161 Fax ++41 81 7714830

Rev.-Date: 28.09.15

Visa: MPA

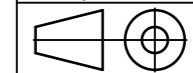
Series

482

Ordering No.

48236-CE74-0001

Projection E



DN

63

Flange

CF-F m

Dimensional Drawing

208118

Rev.

C

VAT/DA