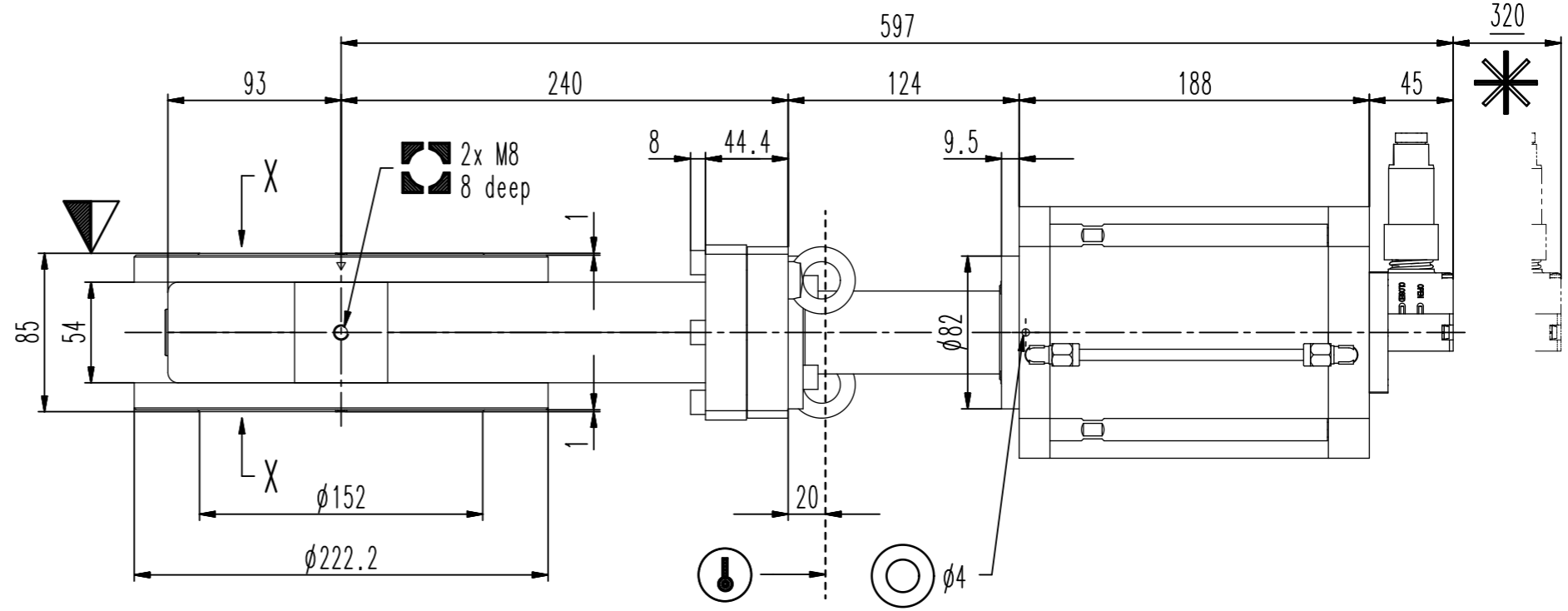
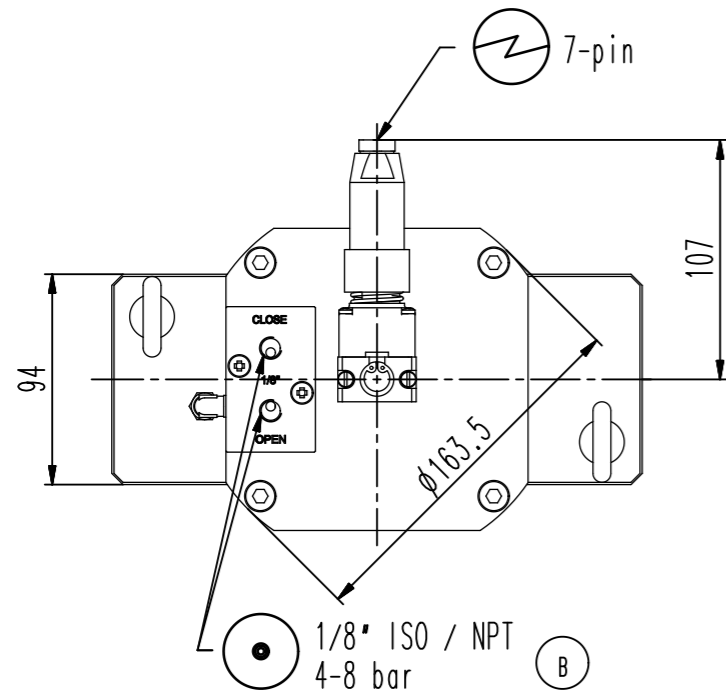


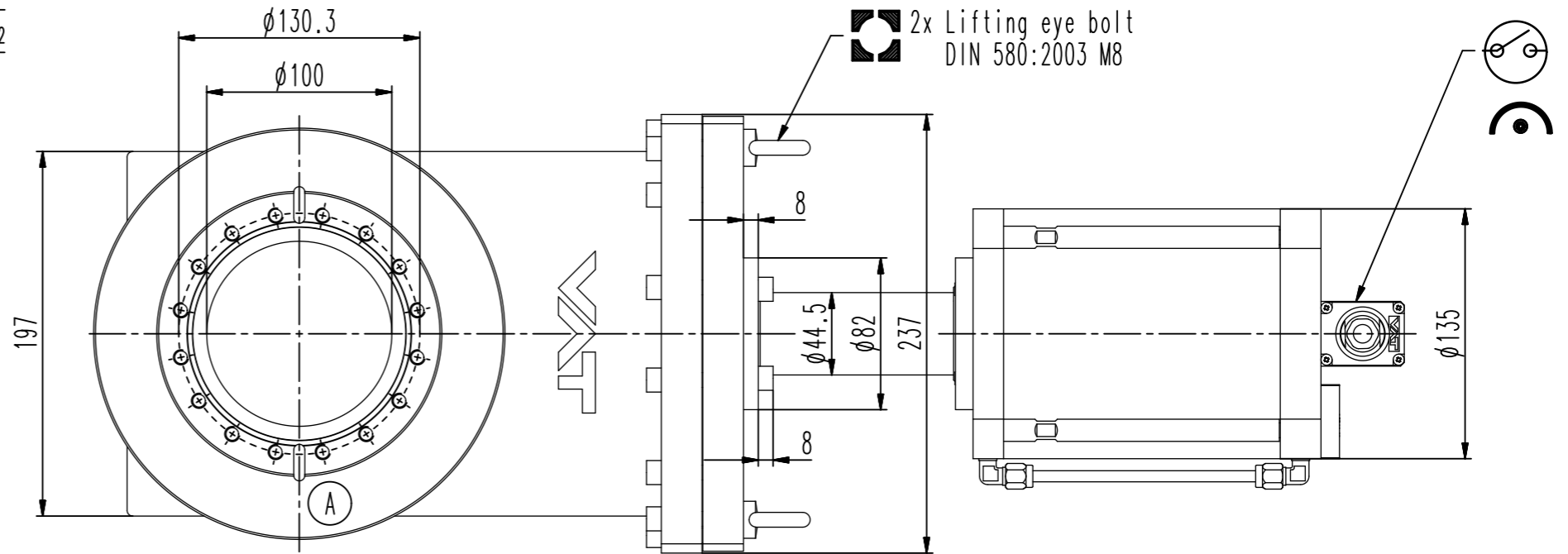
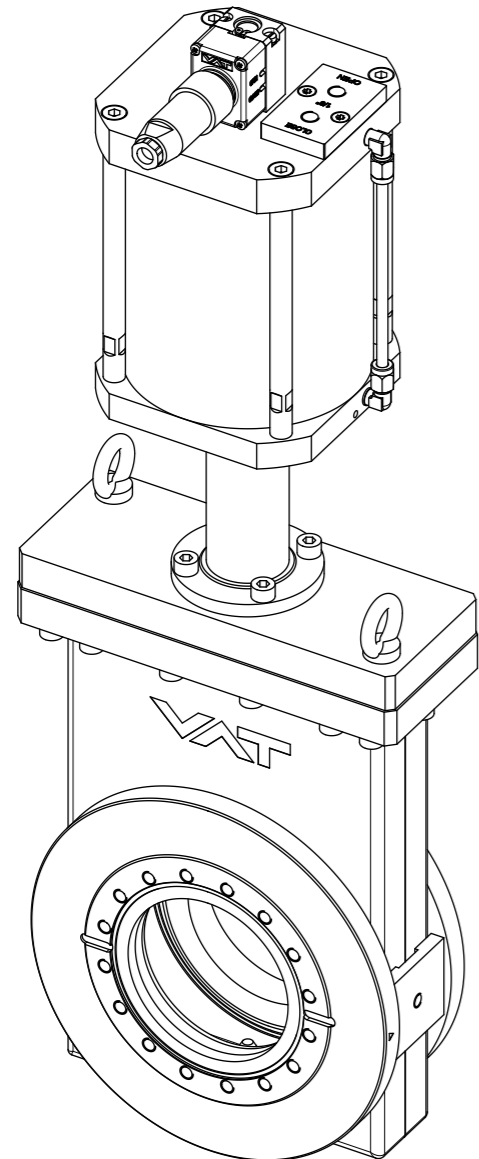
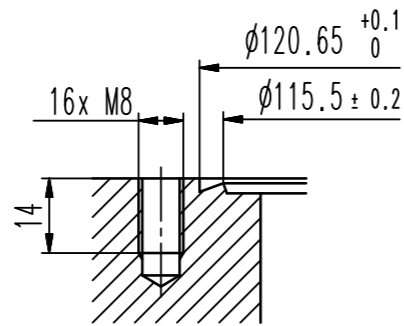
This drawing is the property of VAT.

Revision

Customer number



Detail X



- ▼ Seat side
- ⊙ Comp. air connection
- ⊙ Electrical connection
- ⊙ Leak detection port
- ⊙ Mech. pos. indication
- ⊙ Position indicator
- ⊙ Required for dismantling
- ⊙ Emergency actuation
- ⊙ For attachment
- ⊙ Bake-out area
- ⊙ Differential pumping port

All-metal gate valve



VAT Vakuumentile AG

CH-9469 Haag, Switzerland
Tel ++41 81 7716161 Fax ++41 81 7714830

Rev.-Date: 24.09.15

Visa: MPA

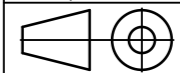
Series

482

Ordering No.

48240-CE24-0003

Projection E



DN

100

Flange

CF-F m

Dimensional Drawing

485976

Rev.

B

VAT/DA