



VAT Vakuumventile AG  
CH-9469 Haag, Schweiz

## Product data sheet

All-metal gate valve, Series 482, DN 100 (ID 4")

Ordering No. 48240-CE74-0003

### Description

Flange		DN 100 CF-F
Actuator		Pneumatic double acting, compact - with solenoid valve - with position indicator
Feed through		Bellows
Option	=	Standard

### Technical data

Leak rate	- Valve body - Valve seat	$< 1 \cdot 10^{-10}$ mbar ls <sup>-1</sup> $< 1 \cdot 10^{-10}$ mbar ls <sup>-1</sup>
Pressure range		XUHV to 2 bar (abs)
Test pressure		1 bar
Differential pressure on the gate		≤ 2 bar
Differential pressure at opening		≤ 500 mbar, 1 bar with reduced cycle life
Conductance (molecular flow)		1 400 ls <sup>-1</sup>
Cycles until first service		20 000
Bake-out temperature (Maximum values: depending on operating conditions and sealing materials)	- Valve body - Actuator - Position indicator - Solenoid	≤ 300 °C ≤ 200 °C (for max. 100h) ≤ 80 °C ≤ 80 °C
Heating and cooling rate		≤ 50 °C h <sup>-1</sup>
Material	- Valve body - Flange - Gate - Mechanism - Bellows	1.4435, AISI 316 L 1.4435 ESU, AISI 316 L ESR 1.4435, AISI 316 L 1.4435, AISI 316 L 1.4435, AISI 316 L
Seal	- Bonnet - Gate - Actuator	metal, silver plated metal, silver plated FKM (Viton®)
Mounting position		any
Radiation resistance	- Valve body - Actuator - Position indicator - Solenoid	10 <sup>8</sup> Gy (10 <sup>10</sup> rad) 10 <sup>5</sup> Gy (10 <sup>7</sup> rad) 10 <sup>5</sup> Gy (10 <sup>7</sup> rad) 10 <sup>4</sup> Gy (10 <sup>6</sup> rad)
Volume of pneumatic actuator		1.4 l / 0.049 ft <sup>3</sup>
Compressed air min. – max. overpressure		4 - 8 bar / 58 - 116 psig
Compressed air connections		R 1/8" (USA: 1/8" NPT)



VAT Vakuumentile AG  
CH-9469 Haag, Schweiz

## Product data sheet

**All-metal gate valve, Series 482, DN 100 (ID 4")**

**Ordering No. 48240-CE74-0003**

Actuation time  
(valid for RT, Ø6mm tubing at 4 bar with  
flow rate of 400 l/min)

- Closing
- Opening

≤ 4.0 sec  
≤ 4.0 sec

Weight

27 kg / 60 lbs

Behavior in case of  
compressed air pressure  
drop

- Valve closed
- Valve open

Valve remains in closed position  
Undefined

Behavior in case of power  
failure

- Valve closed
- Valve open

Valve remains in closed position  
Valve closes

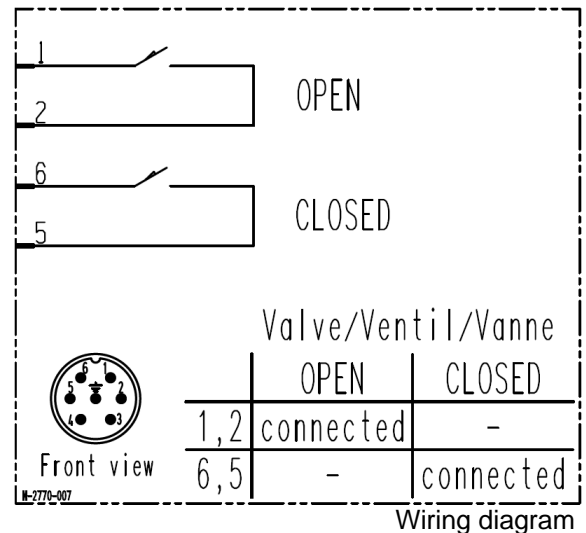
### Related documents

Dimensional drawing No. 351264A

### Electrical connections

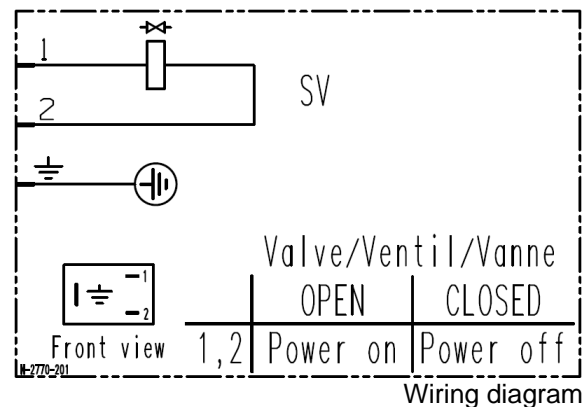
#### Position indicator

Type micro switch  
Voltage ≤ 50 V AC / DC  
Current max. ≤ 1.2 A



#### Solenoid

Voltage according to PO  
Power consumption ≤ 2.5 W



Created by: Martin Greuter

Release date: 2011-12-06

2 of 2

Modified by: René Brulc

Release date: 2014-02-21

**291217EB**