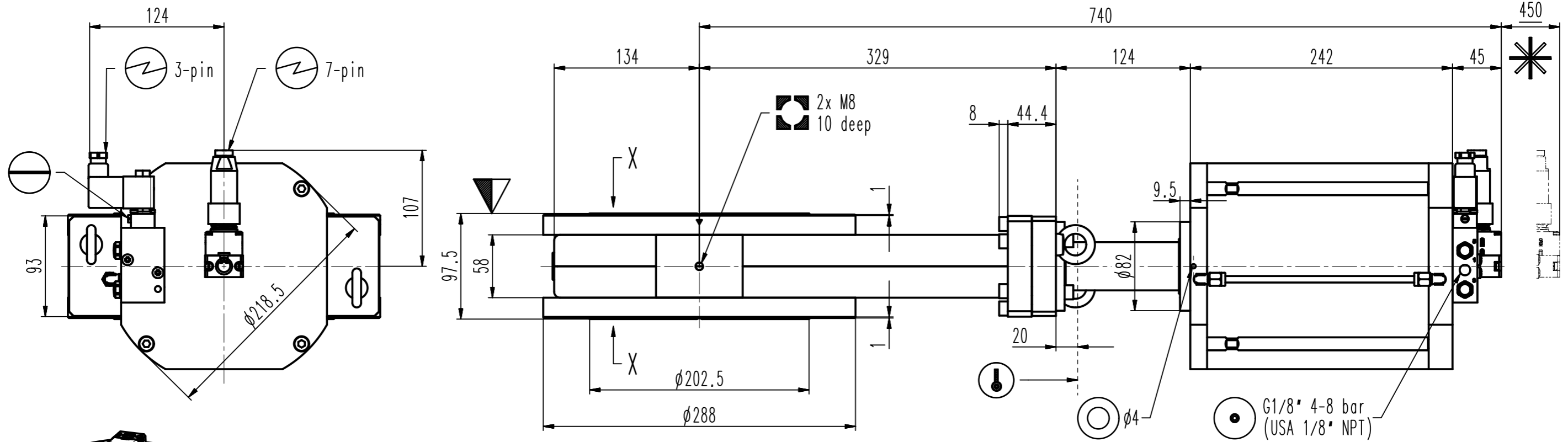


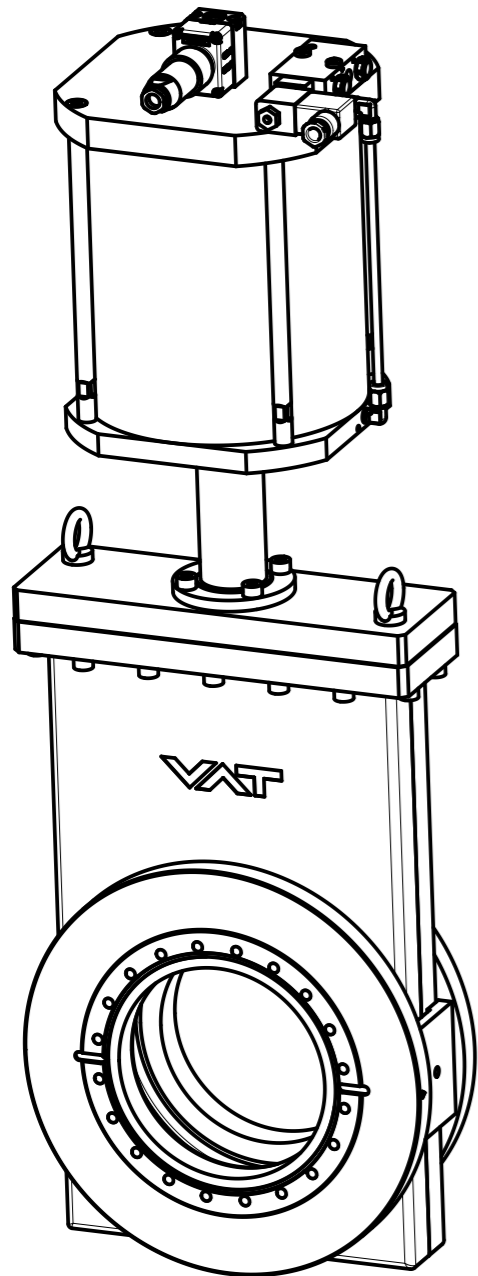
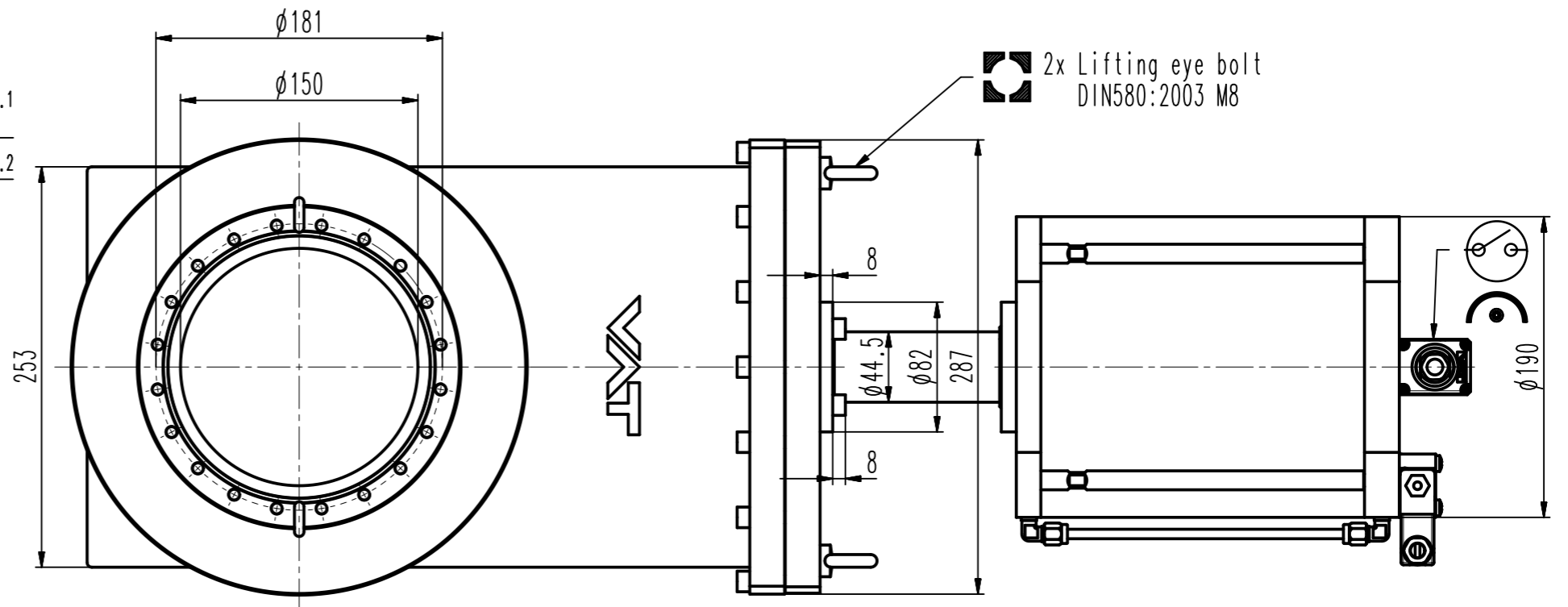
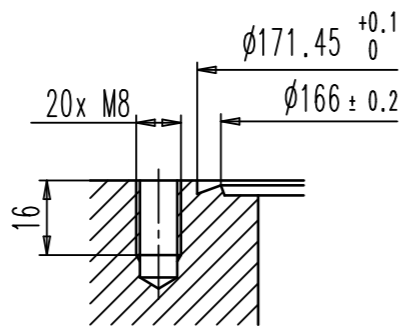
This drawing is the property of VAT.

Revision

Customer number



Detail X



- ▼ Seat side
- ⊕ Comp. air connection
- ⊖ Electrical connection
- ⊙ Leak detection port
- ⊚ Mech. pos. indication
- ⊛ Position indicator
- ⊜ Required for dismantling
- ⊝ Emergency actuation
- ⊞ For attachment
- ⊟ Bake-out area
- ⊠ Differential pumping port

All-metal gate valve



VAT Vakuumentile AG
 CH-9469 Haag, Switzerland
 Tel ++41 81 7716161 Fax ++41 81 7714830

Rev.-Date: 23.02.16
 Visa: KEJ

| | | | |
|---------------------|--------|--------------|-----------------|
| Series | 482 | Ordering No. | 48244-CE44-0002 |
| Projection E | DN | Flange | |
| | 160 | CF-F m | |
| Dimensional Drawing | 832785 | Rev. | |