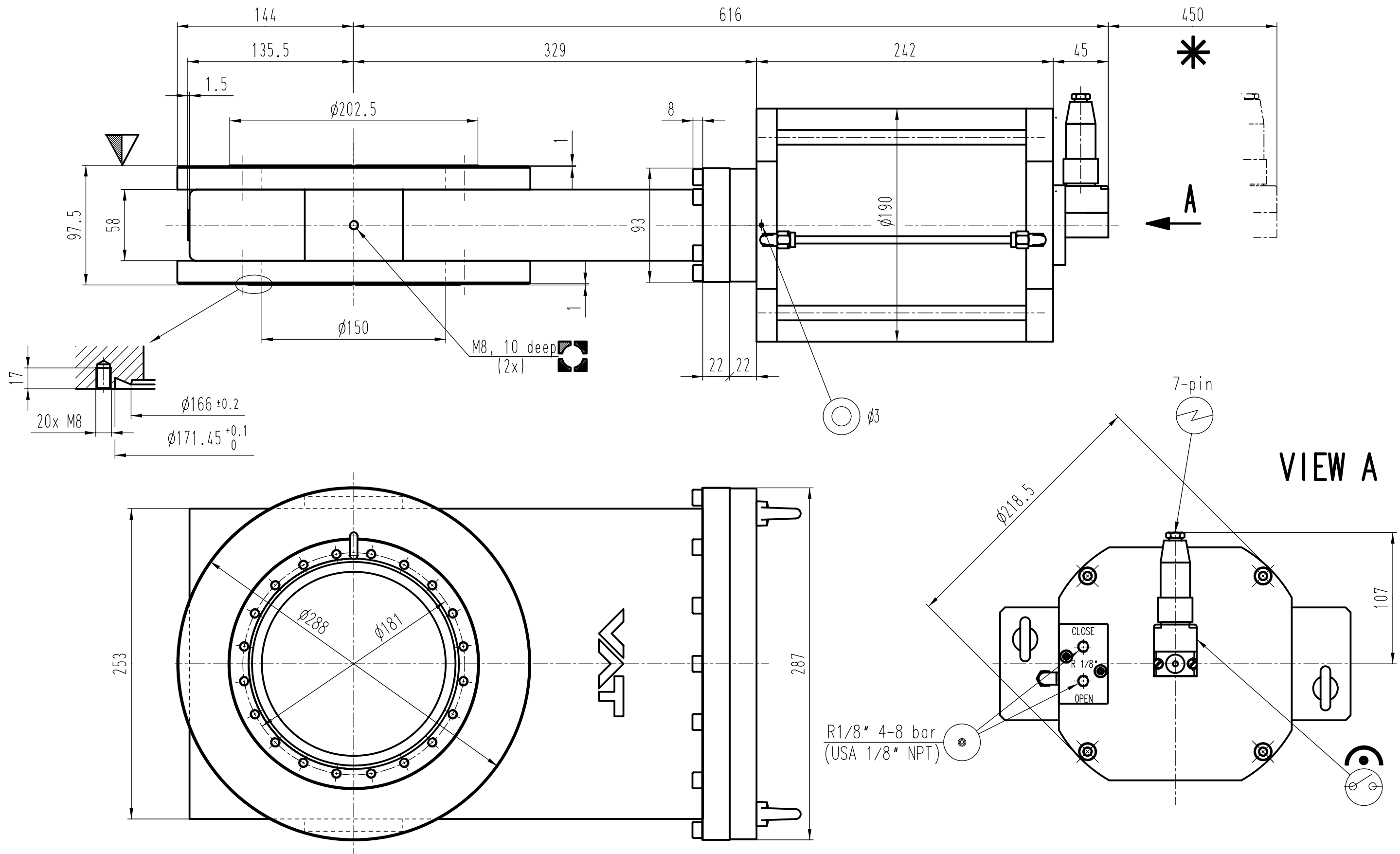


This drawing is the property of VAT.
Without the written consent of VAT, it must
not be copied or distributed to a third person



Revision	Code	Date	Name

- ▼ Seat side
- ⊙ Comp. air connection
- ⊚ Electrical connection
- ⊙ Leak detection port
- ⊙ Mech. pos. indication
- ⊙ Position indicator
- ⊙ Required for dismantling
- ⊙ Emergency actuation
- ⊙ For attachment
- ⊙ Bake-out area
- ⊙ Differential pumping port

All-Metal Gate Valve
pneumatic actuator (double acting)



VAT Vakuumventile AG
CH-9469 Haag, Switzerland
Tel ++41 81 7716161 Fax ++41 81 7714830

Date: 15.06.04
Name: SCB

Series	48.2	Ordering No.	48244-CE72
Projection E		DN	160
Flange	CF-F	Rev.	
Dimensional Drawing	251429		