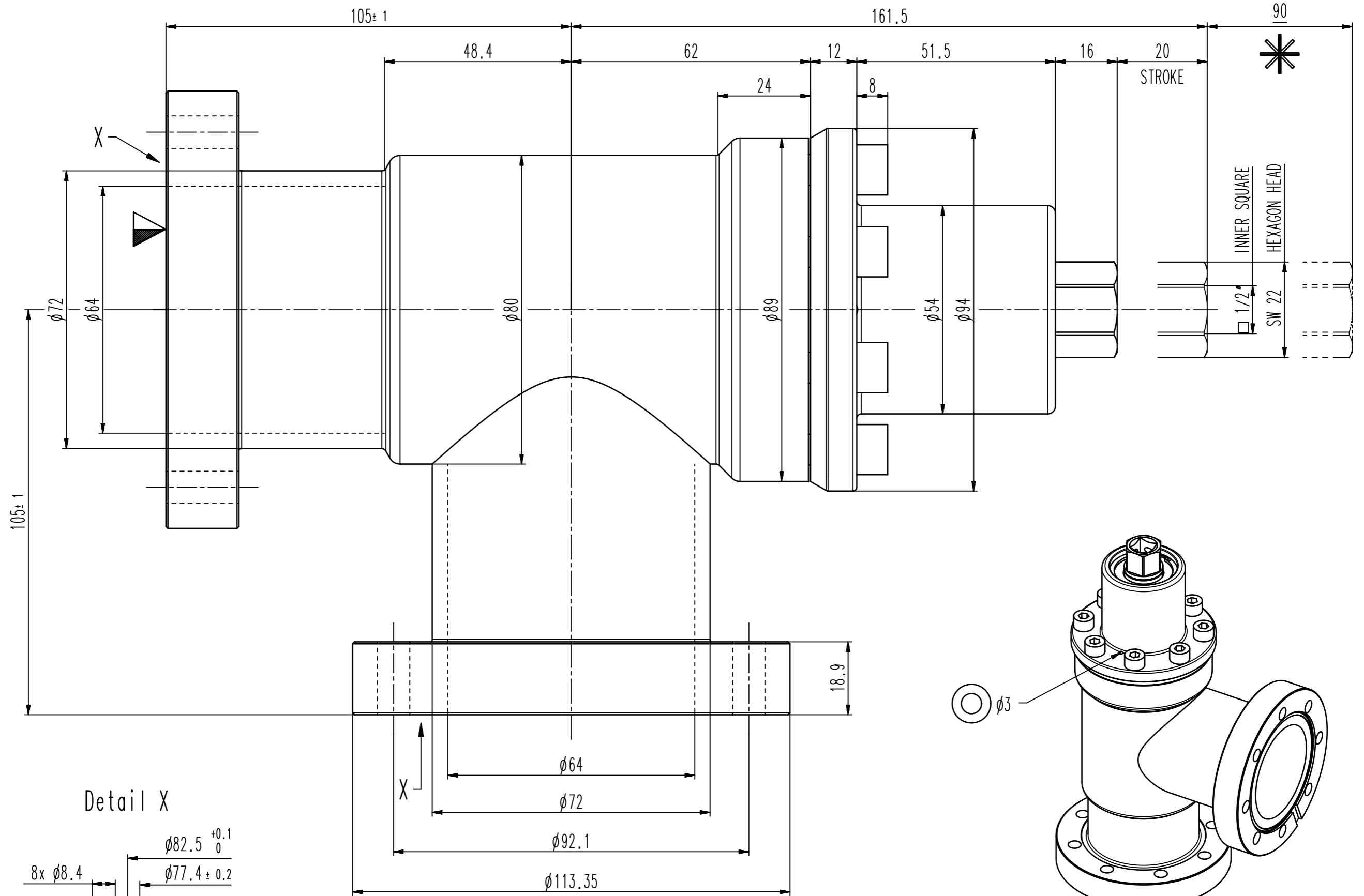


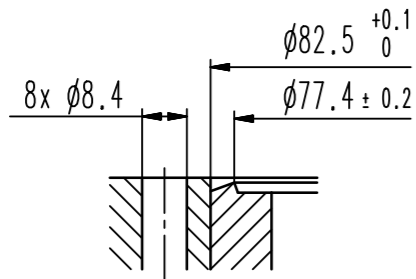
This drawing is the property of VAT.

Revision

Customer number



Detail X



- ▼ Seat side
- ⊙ Comp. air connection
- ⊙ Electrical connection
- ⊙ Leak detection port
- ⊙ Mech. pos. indication
- ⊙ Position indicator
- ⊙ * Required for dismantling
- ⊙ Emergency actuation
- ⊙ For attachment
- ⊙ Bake-out area
- ⊙ Differential pumping port

Easy close all-metal angle valve



VAT Vakuumventile AG

CH-9469 Haag, Switzerland
Tel ++41 81 7716161 Fax ++41 81 7714830

Rev.-Date: 20.02.12

Visa: DUM

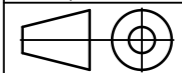
Series

541

Ordering No.

54136-GE02-0001

Projection E



DN

63

Flange

CF-R

Dimensional Drawing

528279

Rev.