



VAT Vakuumventile AG
CH-9469 Haag, Schweiz

Product data sheet

All-Metal Angle Valve, Series 57.0, DN 63 (ID 2 1/2")

OSL Article No. 57036-GE24-0002

Description

Flange	CF-R DN63
Actuator	pneumatic actuator double acting, with position indicator, without solenoid valve
Feedthrough	bellows

Technical data

Leak rate	
- To the outside	$\leq 1 \times 10^{-10}$ mbar ls ⁻¹
- Seat	$\leq 1 \times 10^{-10}$ mbar ls ⁻¹
Molecular flow conductance	125 ls ⁻¹
Pressure range	UHV to 5 bar (abs)
Test pressure	1 bar
Differential pressure on the gate	
- in closing and opening direction	≤ 5 bar
Max. differential pressure at opening	
- in closing and opening direction	1 bar (> 1 bar at reduced cycle lifetime)
Cycles until first service	10'000
Bake-out temperature	
Valve - open	$\leq 450^{\circ}\text{C}$
- closed	$\leq 350^{\circ}\text{C}$
Pneumatic actuator	$\leq 200^{\circ}\text{C}$ (for max. 100h)
Position indicator	$\leq 80^{\circ}\text{C}$
Heating and cooling rate	$\leq 60^{\circ}\text{C h}^{-1}$
Material	
- Body, Mechanism (in contact with media)	1.4435/1.4404, AISI 316 L; 1.4435, AISI 316 L, ESR
- Bellows	1.4404, AISI 316 L
Seal	
- Bonnet, Plate	metal
- Actuator	Viton [®]
Mounting position	any
Position indicator	
- 1 switch for «open» and 1 switch for «close»	
- Contact rating	≤ 50 V AC / DC; ≤ 1.2 A
- 1 x 7 pole plug	
Radiation resistance	
- Valve	10^8 Gy (10^{10} rad)
- Actuator	10^5 Gy (10^7 rad)
- Position indicator	10^5 Gy (10^7 rad)

Created by: Martin Greuter	Release date: 04. May 2012	Page 1 of 2
Modified by:	Release date:	294707EA



VAT Vakuumventile AG
CH-9469 Haag, Schweiz

Product data sheet

All-Metal Angle Valve, Series 57.0, DN 63 (ID 2 1/2")

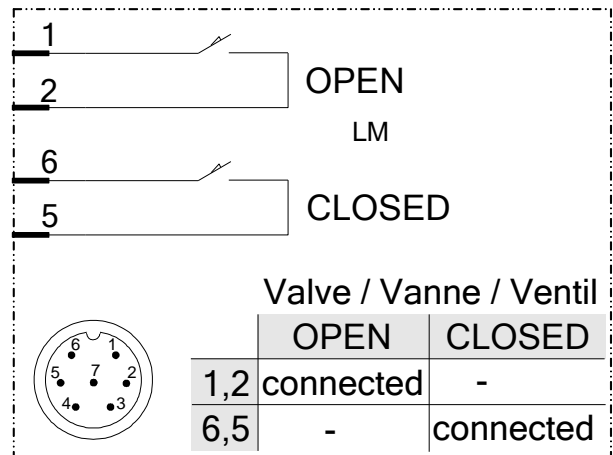
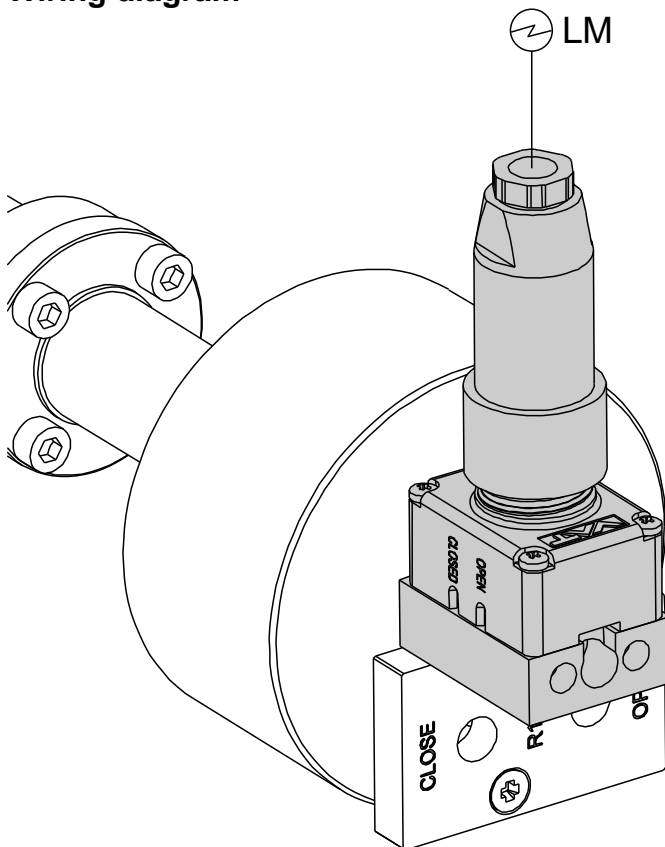
OSL Article No. 57036-GE24-0002

Compressed air pressure min. - max.	4 - 5 bar / 55 - 70 psig (overpressure)
Volume of air cylinder	0.55 l / 0.02 ft ³
Compressed air connection	R 1/8" (USA 1/8 NPT)
Action at power failure	no change
- Valve closed	valve closes
- Valve open	
Action at compressed air failure	undefined
- Valve closed	undefined
- Valve open	
Closing time	2 s
Opening time	2 s
Weight	16.9 kg / 37.3 lbs

Dimensions

Dimensional drawing No. 261854

Wiring diagram



Schematic illustration, not to scale

⊕ LM Electrical connection for position indicator

⊕ SV Electrical connection for solenoid

Created by: Martin Greuter	Release date: 04. May 2012	Page 2 of 2
Modified by:	Release date:	294707EA