



VAT Vakuumventile AG
CH-9469 Haag, Schweiz

Product data sheet

All-Metal Angle Valve, Series 57.0, DN 63 (ID 2 1/2")

Ordering No. 57036-GE41-0004

Description

Flange	CF-R DN63
Actuator	pneumatic actuator single acting, closing spring with position indicator, with solenoid valve
Feedthrough	bellows

Technical data

Leak rate	
- To the outside	$\leq 1 \times 10^{-10}$ mbar ls ⁻¹
- Seat	$\leq 1 \times 10^{-10}$ mbar ls ⁻¹
Molecular flow conductance	125 ls ⁻¹
Pressure range	UHV to 5 bar (abs)
Test pressure	1 bar
Differential pressure on the gate	
- in closing and opening direction	≤ 5 bar
Max. differential pressure at opening	
- in closing and opening direction	1 bar (> 1 bar at reduced cycle lifetime)
Cycles until first service	10'000
Bake-out temperature	
Valve - open	$\leq 450^{\circ}\text{C}$
- closed	$\leq 350^{\circ}\text{C}$
Actuator	$\leq 150^{\circ}\text{C}$ (for max. 100h)
Position indicator	$\leq 80^{\circ}\text{C}$
Solenoid	$\leq 80^{\circ}\text{C}$
Heating and cooling rate	$\leq 60^{\circ}\text{C h}^{-1}$
Material	
- Body, Mechanism (in contact with media)	1.4435/1.4404, AISI 316 L; 1.4435, AISI 316 L, ESU
- Bellows	1.4404, AISI 316 L
Seal	
- Bonnet, Plate	metal
- Actuator	Viton [®]
Mounting position	any
Solenoid	
- Supply voltage	according to P. O.
- Power required	2.5 W
- 1 x 3 pole plug	
Position indicator	
- 1 switch for «open» and 1 switch for «close»	
- Contact rating	≤ 50 V AC / DC; ≤ 1.2 A
- 1 x 7 pole plug	
Radiation resistance	
- Valve	10^8 Gy (10^{10} rad)
- Actuator	10^5 Gy (10^7 rad)
- Solenoid	10^4 Gy (10^6 rad)
- Position indicator	10^5 Gy (10^7 rad)

Created by: René Brulc	Release date: 2013-09-17	Page 1 of 2
Modified by:	Release date:	604180EA



VAT Vakuumventile AG
CH-9469 Haag, Schweiz

Product data sheet

All-Metal Angle Valve, Series 57.0, DN 63 (ID 2 1/2")

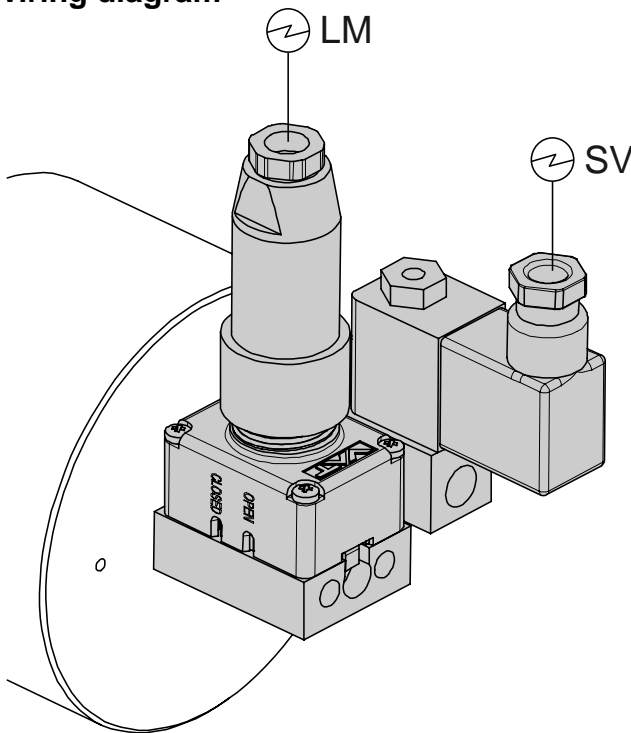
Ordering No. 57036-GE41-0004

Compressed air pressure min. - max.	6 - 9 bar / 85 - 130 psig (overpressure)
Volume of air cylinder	0.8 l / 0.028 ft ³
Compressed air connection	R 1/8" (USA 1/8 NPT)
Action at power failure	no change
- Valve closed	valve closes
- Valve open	
Action at compressed air failure	no change
- Valve closed	valve closes
- Valve open	
Opening / Closing time	4 s
Weight	20.7 kg / 45.6 lbs

Dimensions

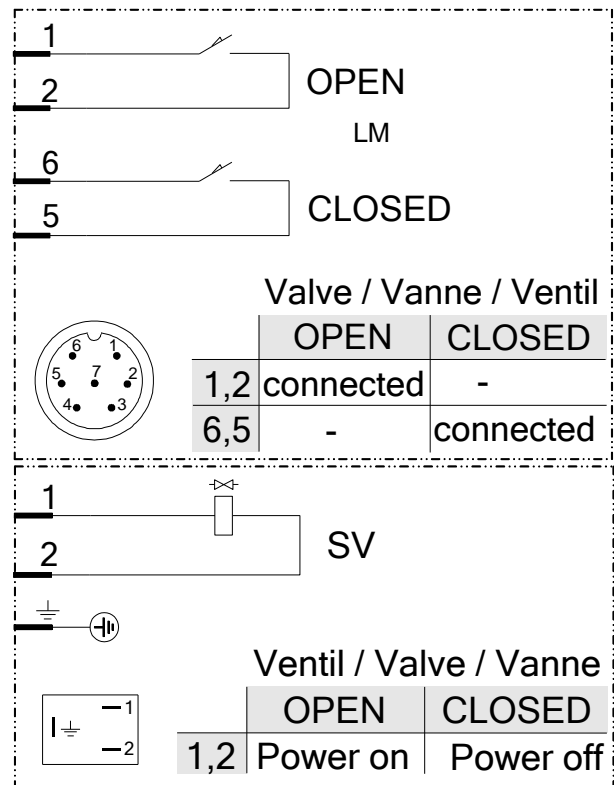
Dimensional drawing No. 709838

Wiring diagram



⊕ LM Electrical connection for position indicator

⊕ SV Electrical connection for solenoid



Created by: René Brulc	Release date: 2013-09-17	Page 2 of 2
Modified by:	Release date:	604180EA