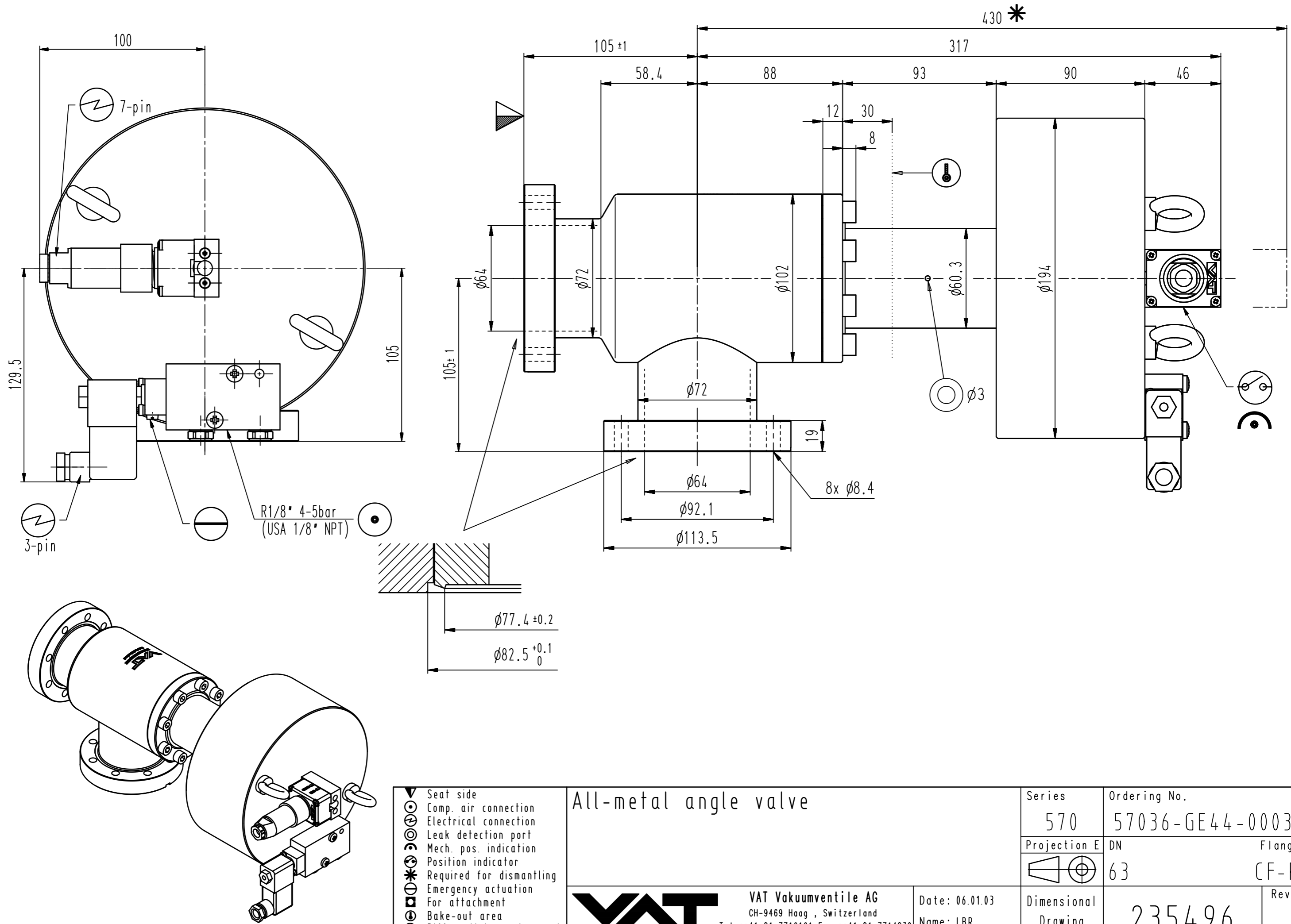


This drawing is the property of VAT.

Revision

Customer number



All-metal angle valve



VAT Vakuumentile AG
CH-9469 Haag, Switzerland
Tel ++41 81 7716161 Fax ++41 81 7714830

Date: 06.01.03
Name: LBR

Series	570	Ordering No.	57036-GE44-0003
Projection E	DN	Flange	
	63	CF-R	
Dimensional Drawing	235496	Rev.	