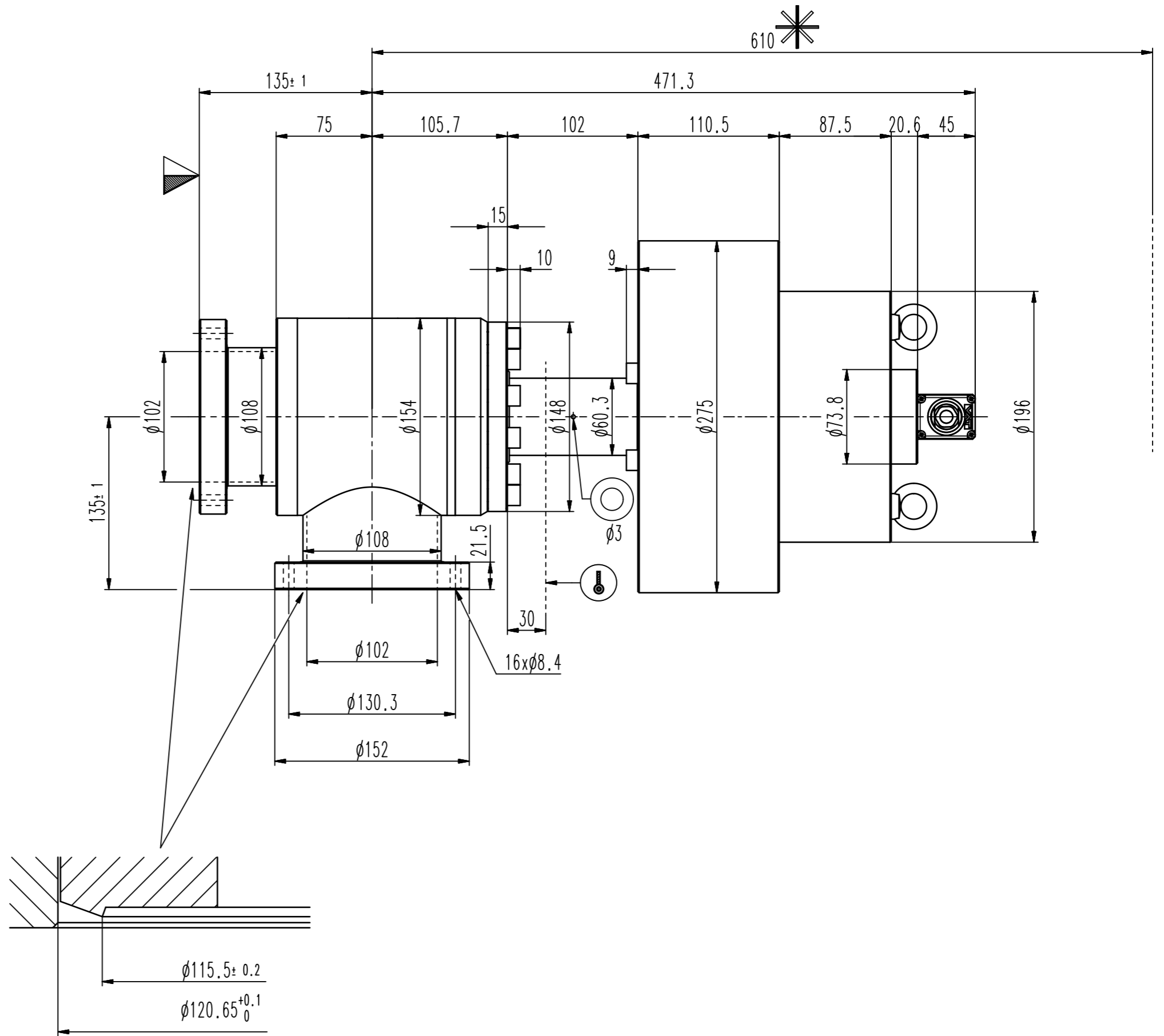
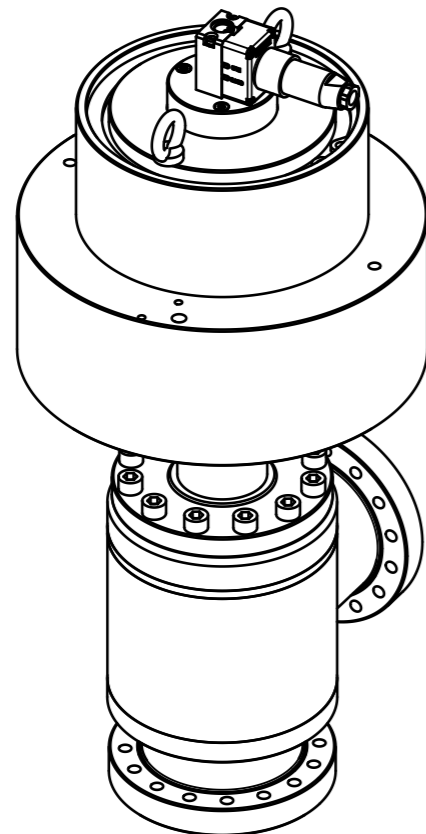
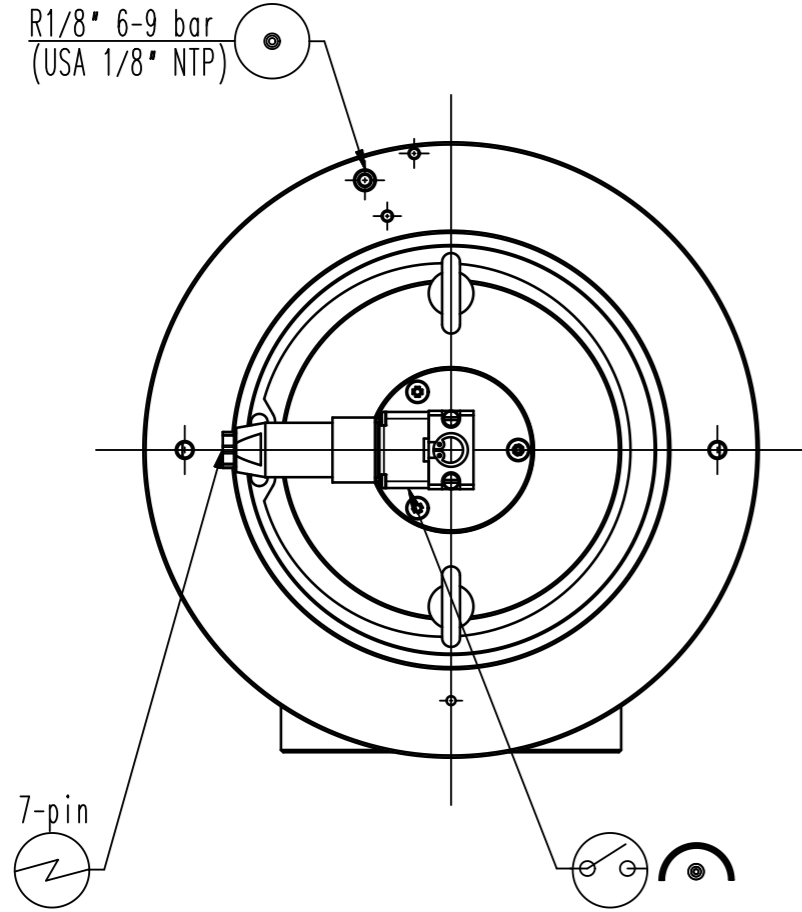


This drawing is the property of VAT.

Revision

Customer number

R1/8" 6-9 bar  
(USA 1/8" NTP)



- Seat side
- Comp. air connection
- Electrical connection
- Leak detection port
- Mech. pos. indication
- Position indicator
- Required for dismantling
- Emergency actuation
- For attachment
- Bake-out area
- Differential pumping port

All-metal angle valve



VAT Vakuumentile AG  
CH-9469 Haag, Switzerland  
Tel ++41 81 7716161 Fax ++41 81 7714830

Date: 11.07.08  
Name: BRS

Series	Ordering No.	
570	57040-GE21-0002	
Projection E	DN	Flange
	100	CF-R
Dimensional Drawing	377141	Rev.