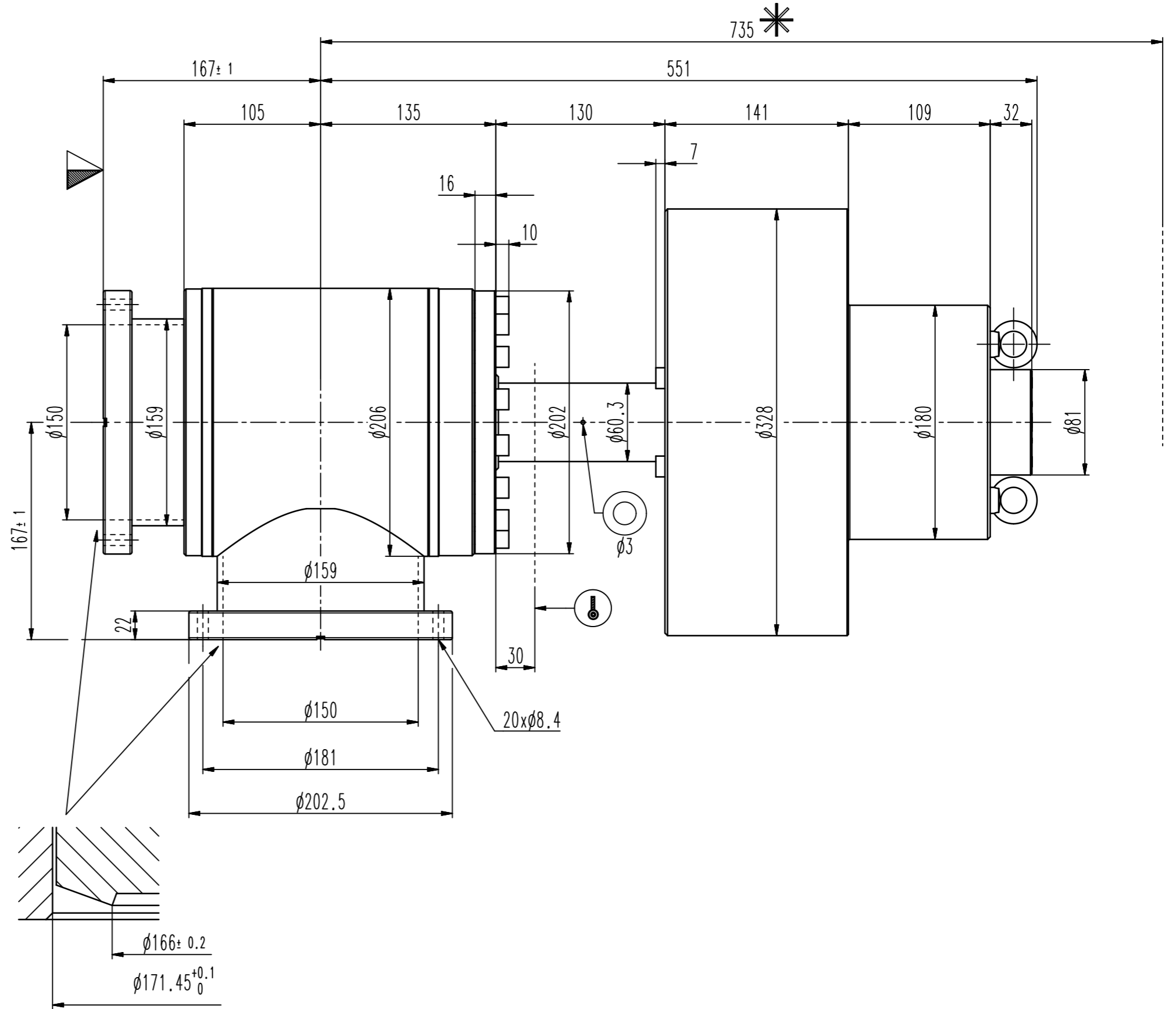
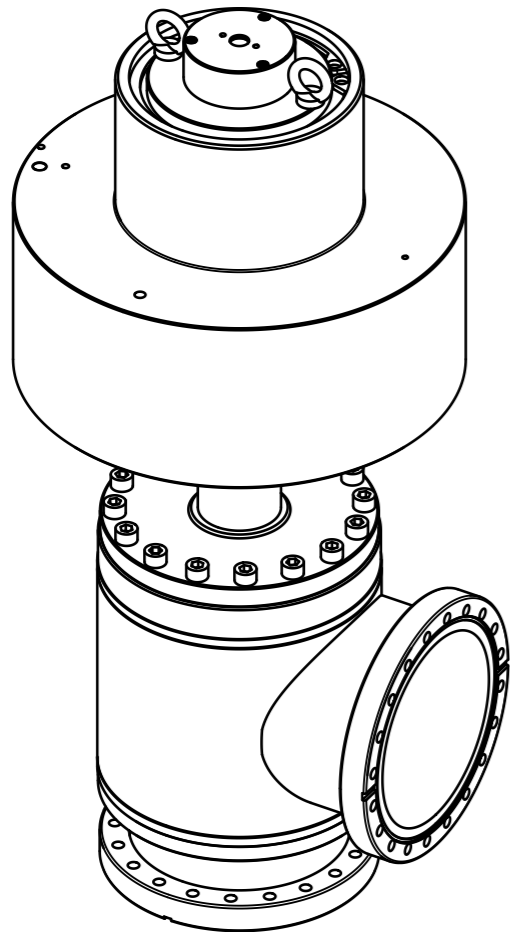
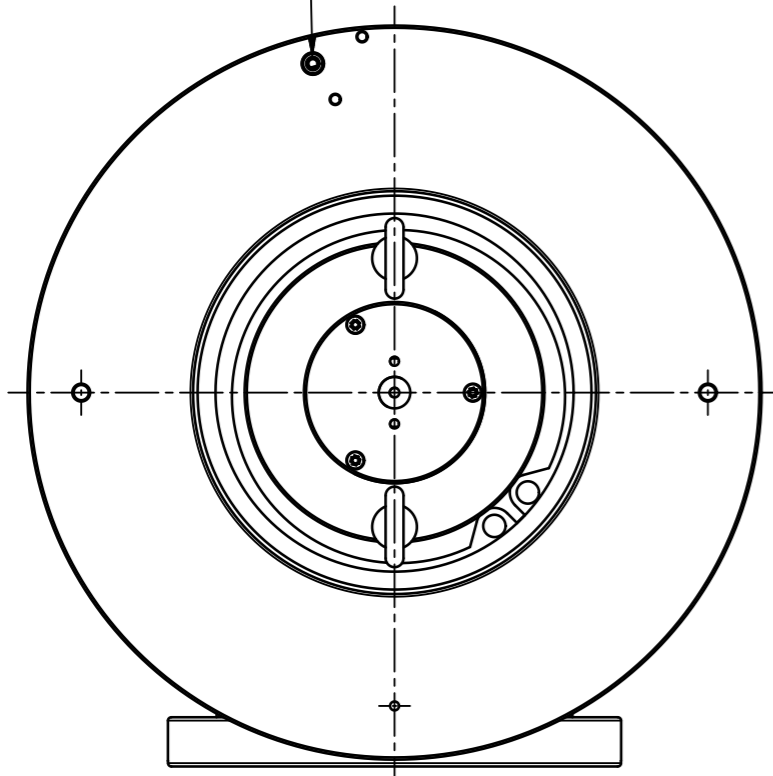


This drawing is the property of VAT.

Revision

Customer number

R1/8" 6-9 bar  
(USA 1/8" NPT)



- ▼ Seat side
- ⊙ Comp. air connection
- ⊙ Electrical connection
- ⊙ Leak detection port
- ⊙ Mech. pos. indication
- ⊙ Position indicator
- ⊙ Required for dismantling
- ⊙ Emergency actuation
- ⊙ For attachment
- ⊙ Bake-out area
- ⊙ Differential pumping port

### All-metal angle valve



VAT Vakuumventile AG

CH-9469 Haag, Switzerland  
Tel ++41 81 7716161 Fax ++41 81 7714830

Rev.-Date: 12.06.14

Visa: LBR

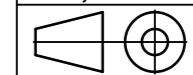
Series

570

Ordering No.

57044-GE11-0001

Projection E



DN

160

Flange

CF-R

Dimensional Drawing

753961

Rev.

VAT/DA