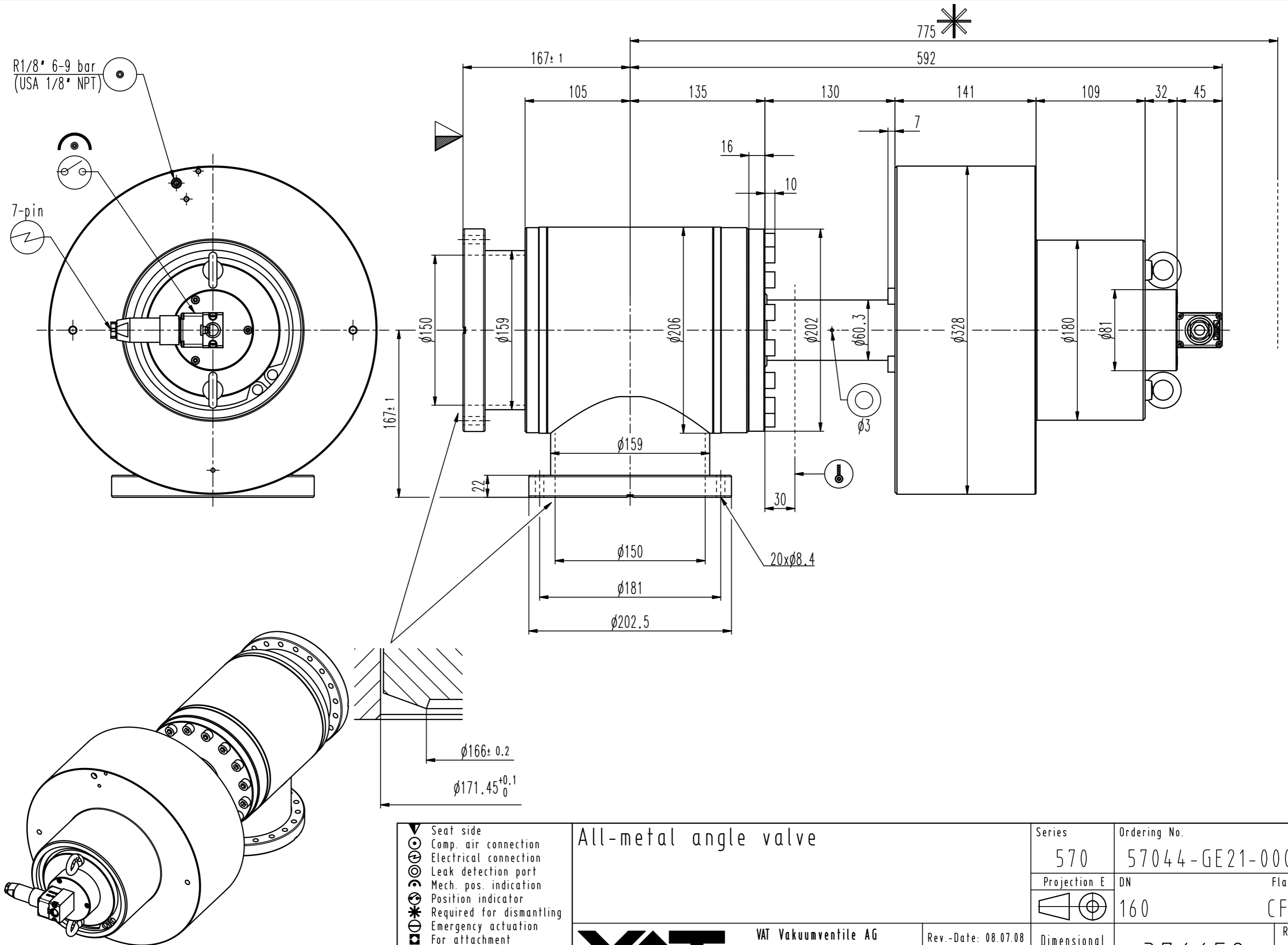


This drawing is the property of VAT.

Revision

Customer number



- ▼ Seat side
- ⊙ Comp. air connection
- ⊙ Electrical connection
- ⊙ Leak detection port
- ⊙ Mech. pos. indication
- ⊙ Position indicator
- ⊙ Required for dismantling
- ⊙ Emergency actuation
- ⊙ For attachment
- ⊙ Bake-out area
- ⊙ Differential pumping port

### All-metal angle valve



VAT Vakuumventile AG  
 CH-9469 Haag, Switzerland  
 Tel ++41 81 7716161 Fax ++41 81 7714830

Rev.-Date: 08.07.08  
 Visa: BRS

Series	570		Ordering No.	57044-GE21-0001	
Projection E	DN	Flange			
	160	CF-R			
Dimensional Drawing	376658		Rev.		