



VAT Vakuumventile AG
CH-9469 Haag, Schweiz

Product data sheet

All-metal angle valve, Series 570, DN 160 (ID 6")

Ordering No. 57044-GE41-0004

Description

Flange		DN 160 CF-R
Actuator		Pneumatic single acting with closing spring (NC) - with solenoid valve - with position indicator
Feed through		Bellows
Option	=	Standard

Technical data

Leak rate	- Valve body - Valve seat	$< 1 \cdot 10^{-10}$ mbar ls ⁻¹ $< 1 \cdot 10^{-10}$ mbar ls ⁻¹
Pressure range	- T = 200°C - T = 450°C	XUHV to 5 bar (abs) XUHV to 3.5 bar (abs)
Test pressure		1 bar
Differential pressure on the gate		≤ 5 bar
Differential pressure at opening		≤ 1 bar, > 1 bar with reduced cycle life
Conductance (molecular flow)		940 ls ⁻¹
Cycles until first service		10 000
Bake-out temperature (Maximum values: depending on operating conditions and sealing materials)	- Valve body - Actuator - Position indicator - Solenoid	≤ 450 °C (open) ≤ 350 °C (closed) ≤ 150 °C ≤ 80 °C ≤ 80 °C
Heating and cooling rate		≤ 60 °C h ⁻¹
Material (in contact with media)	- Valve body - Mechanism - Bellows	1.4435/1.4404, AISI 316 L 1.4435 ESU, AISI 316 L ESR 1.4404, AISI 316 L
Seal	- Bonnet - Gate - Actuator	metal, silver plated metal, silver plated FKM (Viton®)
Mounting position		any
Radiation resistance	- Valve body - Actuator - Position indicator - Solenoid	10 ⁸ Gy (10 ¹⁰ rad) 10 ⁵ Gy (10 ⁷ rad) 10 ⁵ Gy (10 ⁷ rad) 10 ⁴ Gy (10 ⁶ rad)
Volume of pneumatic actuator		4.8 l / 0.17 ft ³
Compressed air min. – max. overpressure		6 - 9 bar / 87 - 131 psig

Created by: René Brulc	Release date: 2014-06-13	1 of 2
Modified by:	Release date:	751289EA



VAT Vakuumventile AG
CH-9469 Haag, Schweiz

Product data sheet

All-metal angle valve, Series 570, DN 160 (ID 6")

Ordering No. 57044-GE41-0004

Compressed air connections

R 1/8" (USA: 1/8" NPT)

Actuation time

(valid for RT, Ø6mm tubing at 4 bar with flow rate of 400 l/min)

- Closing
- Opening

≤ 7.0 sec
≤ 7.0 sec

Weight

136 kg / 299 lbs

Behavior in case of compressed air pressure drop

- Valve closed
- Valve open

Valve remains in closed position
Valve closes

Behavior in case of power failure

- Valve closed
- Valve open

Valve remains in closed position
Valve closes

Related documents

Dimensional drawing No. 376371 A

Electrical connections

Position indicator

Type

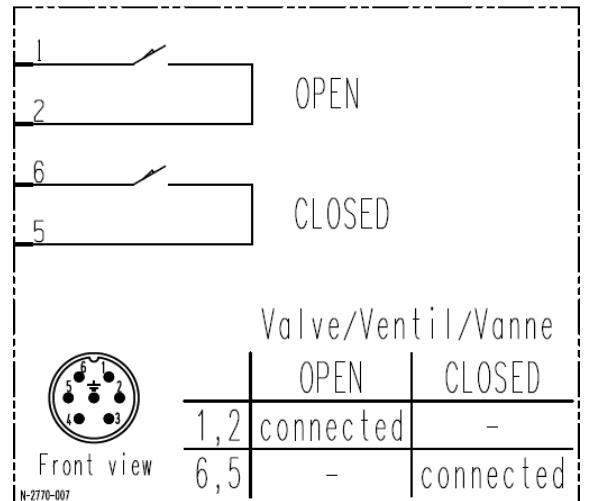
micro switch

Voltage

≤ 50 V AC / DC

Current max.

≤ 1.2 A



Wiring diagram

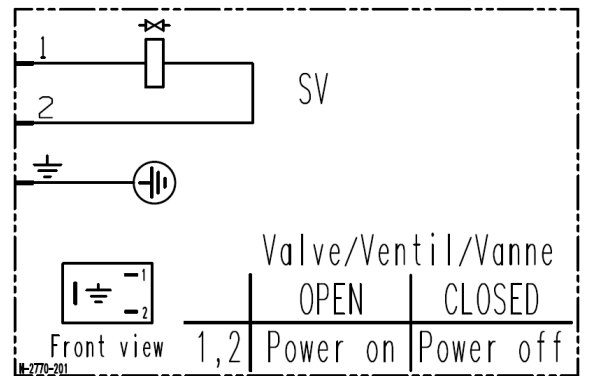
Solenoid

Voltage

according to PO

Power consumption

≤ 2.5 W



Wiring diagram

Created by: René Brulc	Release date: 2014-06-13	2 of 2
Modified by:	Release date:	751289EA