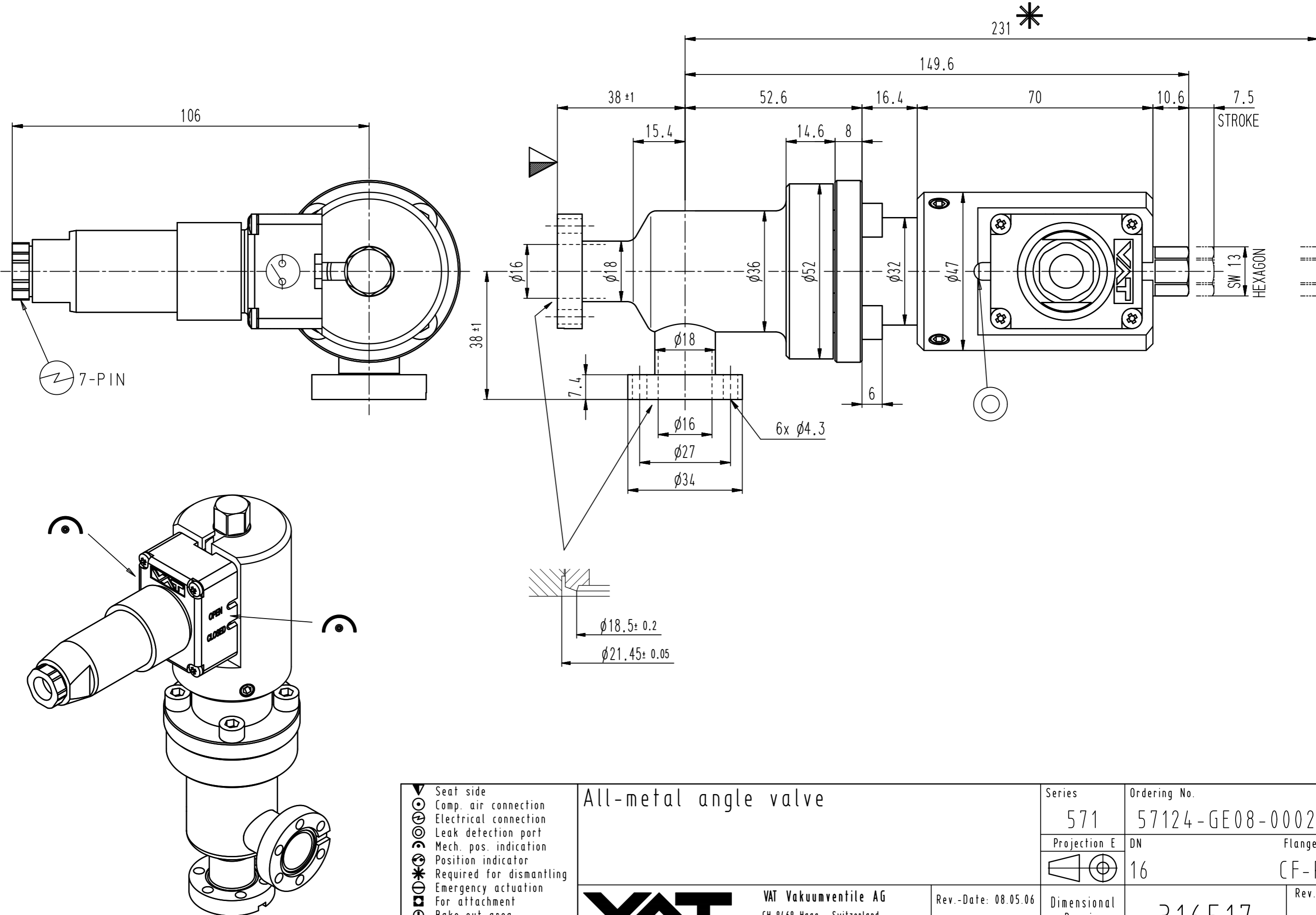


This drawing is the property of VAT.

Revision

Customer number



- ▼ Seat side
- ⊙ Comp. air connection
- ⊙ Electrical connection
- ⊙ Leak detection port
- ⊙ Mech. pos. indication
- ⊙ Position indicator
- ⊙ Required for dismantling
- ⊙ Emergency actuation
- ⊙ For attachment
- ⊙ Bake-out area
- ⊙ Differential pumping port

All-metal angle valve



VAT Vakuumentile AG
 CH-9469 Haag, Switzerland
 Tel ++41 81 7716161 Fax ++41 81 7714830

Rev.-Date: 08.05.06
 Visa: SCB

| | | | |
|---------------------|-----|--------------|-----------------|
| Series | 571 | Ordering No. | 57124-GE08-0002 |
| Projection E | DN | Flange | CF-R |
| | 16 | | |
| Dimensional Drawing | | 316517 | Rev. |