



VAT Vakuumventile AG
CH-9469 Haag, Schweiz

Product Data Sheet

All-Metal Angle Valve, Series 57.1, DN 16 (ID 5/8")

OSL Article No. 57124-GE24-0002

Description

Flange	DN16, CF-R
Actuator	Pneumatic actuator double acting with position indicator without solenoid valve
Feedthrough	bellows

Technical data

Leak rate	
- To the outside	$\leq 1 \cdot 10^{-10}$ mbar ls ⁻¹
- Seat	$\leq 1 \cdot 10^{-10}$ mbar ls ⁻¹
Molecular flow conductance	5 ls ⁻¹
Pressure range	UHV to 5 bar (abs)
Test pressure	1 bar
Differential pressure on the gate	
- in closing and opening direction	≤ 5 bar
Max. differential pressure at opening	
- in closing and opening direction	1 bar (> 1 bar at reduced cycle lifetime)
Cycles until first service	10'000
Bake-out temperature	
- Valve body	$\leq 450^{\circ}\text{C}$ if valve is opened
- Valve body	$\leq 350^{\circ}\text{C}$ if valve is closed
- Pneumatic actuator	$\leq 200^{\circ}\text{C}$ (max. 100h)
- Position indicator	$\leq 80^{\circ}\text{C}$
Heating and cooling rate	$\leq 60^{\circ}\text{C h}^{-1}$
Material	
- Body, Mechanism (in contact with media)	1.4435/1.4404, AISI 316 L; 1.4435, AISI 316 L, ESU
- Bellows	1.4404, AISI 316 L
Seal	
- Bonnet, Plate	metal
- Actuator	Viton [®]
Mounting position	any
Position indicator	
- 1 switch for «open» and 1 switch for «close»	
- Contact rating	≤ 50 V AC / DC; ≤ 1.2 A
- 1 x 7 pole plug	
Radiation resistance	
- Valve	10^8 Gy (10^{10} rad)
- Actuator	10^5 Gy (10^7 rad)
- Position indicator	10^5 Gy (10^7 rad)

Created by: M. Greuter	Release date: 20. February 2012	Page 1 of 2
Modified by::	Release date:	293725EA



VAT Vakuumventile AG
CH-9469 Haag, Schweiz

Product Data Sheet

All-Metal Angle Valve, Series 57.1, DN 16 (ID 5/8")

OSL Article No. 57124-GE24-0002

Compressed air pressure min. - max.

4 - 5 bar / 55 - 70 psig (overpressure)

Volume of air cylinder

0.08 l / 0.003 ft³

Compressed air connection

R 1/8" (USA 1/8" NPT)

Action at power failure

depending on control

Action at compressed air failure

- Valve closed
- Valve open

undefined
undefined

Closing time

1 s

Opening time

1 s

Weight

app. 2.9 kg / 6.4 lbs

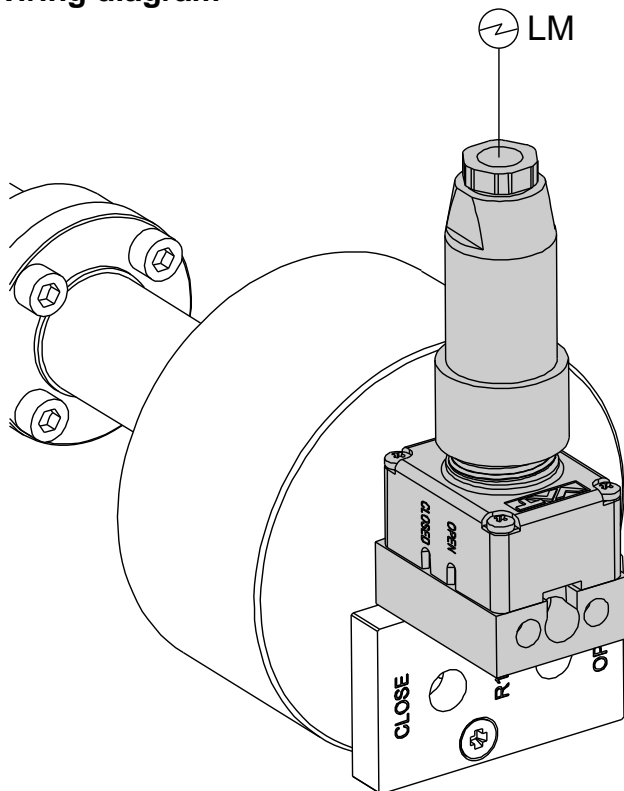
Dimensions

Dimensional drawing No. 316515

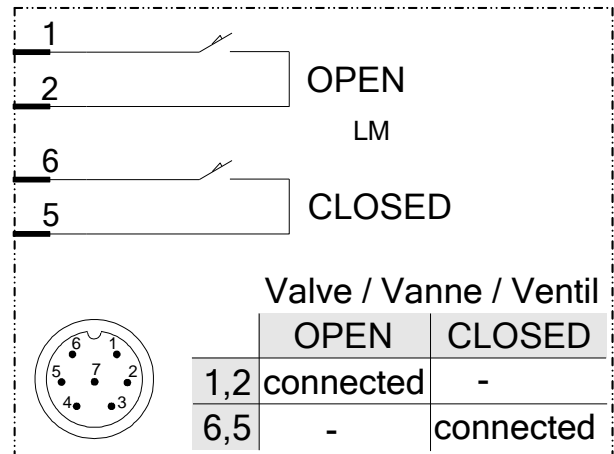
Option

N/A

Wiring diagram



⊕ LM Electrical connection for position indicator



Created by: M. Greuter

Release date: 20. February 2012

Page 2 of 2

Modified by::

Release date:

293725EA